

36 627 705 Product version up to 10/14/2020



- with CASCADE structure
- rosette 60 x 60 mm
- without marking
- head part with cut-to-length spindle and sleeve
- WRAS

Required miscellaneous



Wall valve 1/2" -

35 607 970 90

- min. recess depth 105 mm
- max. recess depth 150 mm

36 627 705 Product version up to 10/14/2020

mm [inches]



Codes & Standards

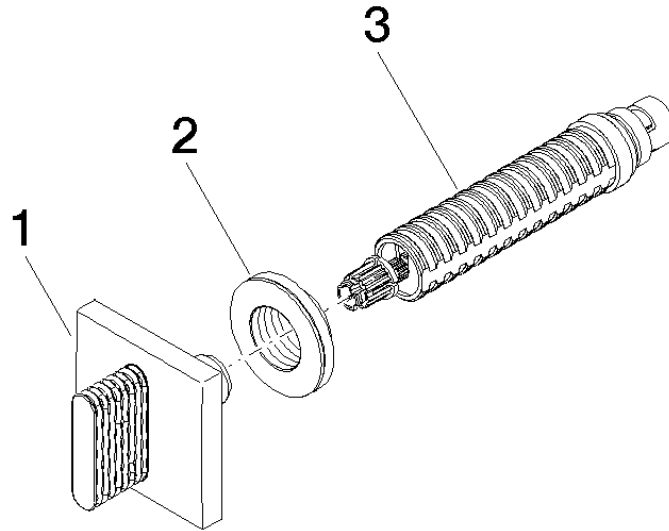
ASME A112.18.1 cUPC EN 1111 EN 200

Scottish Water Byelaws UK Water Supply Regulations

Certificates and sustainability

WRAS_2011 DVGW_DW-6501DN0 DVGW_DW-6512DN0 WRAS_2010 IAPMO_4976 (

EPD-DOR-20230287
-IBA1-EN
Environmental product-declaration



Spare parts list

No.	Item Number	Name	Quantity used	Delivery time
2	09 21 02 108 90	Sleeve Ø 43,1 x 13 mm -	1.00	-
Spare part can no longer be ordered, please order the replacement item				
	9021021080090	Wall disc complete -		
1	90 20 70 053 01-00	Handle for concealed wall mounting Neutral oval step 60 x 60 x 40 mm - Chrome	1.00	20
3	90 90 03 143 00 90	Head part clockwise closing 1/2" -	1.00	14