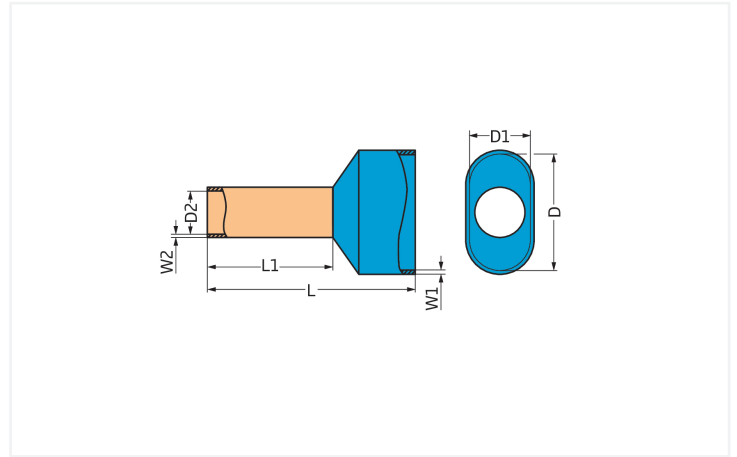


Data Sheet | Item Number: 216-545

Twin ferrule; Sleeve for 2 x 2.5 mm / AWG 14; insulated; blue

<https://www.wago.com/216-545>



Color: ■ blue

Connection data

Strip length	13.5 ... 14.5 mm / 0.53 ... 0.57 inches
Metric cross-section of the twin ferrule	2.5 mm ²
Cross-section (AWG) of twin ferrule	2 x 14 AWG

Physical data

Total length	21 mm
Wall thickness of crimp sleeve	0.2 mm
Wall thickness (plastic collar)	0.4 mm
Inner dimension of small plastic collar	4.5 mm
Inner dimension plastic collar large	8 mm
Crimp length (length of sleeve)	12 mm
Diameter crimp sleeve inside	2.9 mm

Mechanical data

Plastic collar	Standard collar
----------------	-----------------

Material data

Color	blue
Fire load	0 MJ
Weight	0 g

Commercial data

Product Group	2 (Terminal Block Accessories)
PU (SPU)	100 pcs
Packaging type	Box
Country of origin	DE
GTIN	4045454432942
Customs tariff number	85369010000

Product Classification

UNSPSC	39121405
eCl@ss 10.0	27-40-02-01
eCl@ss 9.0	27-40-02-01
ETIM 9.0	EC000005
ETIM 10.0	EC000005
ECCN	NO US CLASSIFICATION

Environmental Product Compliance

RoHS Compliance Status	Compliant, No Exemption
------------------------	-------------------------

Downloads

Environmental Product Compliance

Compliance Search

Environmental Product Compliance 216-545	↓
--	-------------------

Documentation

Bid Text

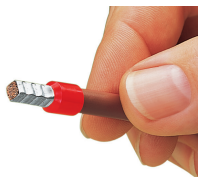
216-545	19.02.2019	xml 2.62 KB	↓
216-545	28.04.2017	doc 22.50 KB	↓

CAD/CAE-Data

CAD data

2D/3D Models 216-545	↓
----------------------	-------------------

Installation Notes



A perfect gas-tight crimp – both electrical-ly and mechanically reliable