

27 702 809 Product version from 3/13/2017 to 5/15/2020



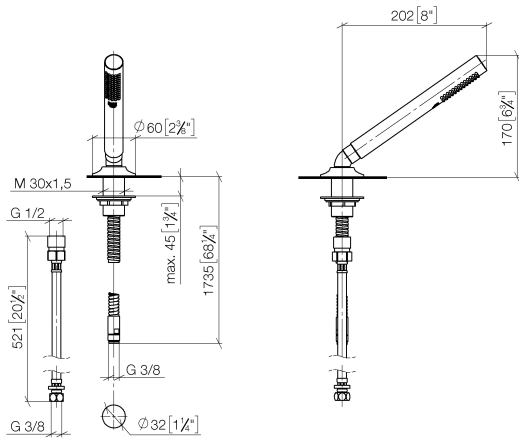
- COMPACT RAIN, max. flow rate 6.8 l/min (at 3 bar)
- with anti-scale system
- rosette Ø 60 mm
- hole diameter 32 mm
- metal shower hose 1750mm with integrated anti-twist protection
- WRAS

Intrinsic protection against back flow.

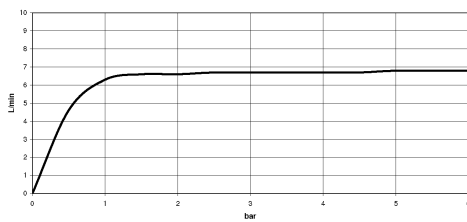
	Brushed Platinum	27 702 809-06
	Chrome	27 702 809-00
	Platinum	27 702 809-08
	Dark Chrome	27 702 809-19
	Brushed Durabronze (23kt Gold)	27 702 809-28
	Brushed Dark Brass (PVD)	27 702 809-39
	Brushed Bronze (PVD)	27 702 809-42
	Brushed Dark Bronze (PVD)	27 702 809-43
	Brushed Champagne (22kt Gold)	27 702 809-46
	Champagne (22kt Gold)	27 702 809-47
	Brushed Dark Platinum	27 702 809-99

27 702 809 Product version from 3/13/2017 to 5/15/2020

mm [inches]



Flow rate chart



Codes & Standards

ASME A112.18.1	cUPC	DIN 4109	EN 1717
ISO 3822	Scottish Water Byelaws	UK Water Supply Regulations	Ü-Zeichen



VAIA Hand shower set for bath rim or tile edge installation - Brushed Platinum

VAIA

27 702 809 Product version from 3/13/2017 to 5/15/2020

Certificates and sustainability

LGA_28

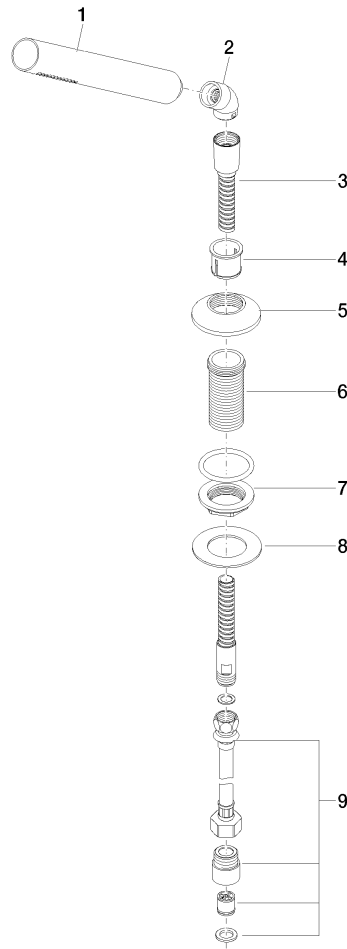
Belgaqua_22_282_2 IAPMO_4976

WRAS_2209

EPD-DOR-20230287
-IBA1-EN
Environmental.prod
uct-declarat

27 702 809 Product version from 3/13/2017 to 5/15/2020

Parts for other finishes can be found here: [Chrome](#)



Spare parts list

No.	Item Number	Name	Quantity used	Delivery time
2	90 24 04 019 00-06	Elbow 35° 1/2" x 1/2" - Brushed Platinum	1.00	20
3	28 322 970-06	Metal shower hose 1/2" x 3/8" x 1750 mm - Brushed Platinum	1.00	14
5	09 27 80 016-06	Rosette Ø 60 x 13,5 mm - Brushed Platinum	1.00	20
6	09 30 01 090-07	Connection Ø 33 x 67 mm - untreated nickel-plated	1.00	40
7	04 23 10 032 46 90	Mounting with seals M30 x 1,5 -	1.00	14
4	90 18 40 085 00 90	Sleeve -	1.00	14
9	12 505 970 90	High pressure hose 1/2" x 3/8" x 500 mm -	1.00	14
8	09 30 11 060 90	Disc 60 x 34 x 2 mm -	1.00	14
1	90 12 11 140 41-06	Bar-type hand shower 6,8 l/min - Brushed Platinum	1.00	-

Spare part can no longer be ordered, please order the replacement item