

Presence detector P41LR, 230 V, secondary, 32-37 m, for flush-mounting box, white

353-700021

4 year warranty

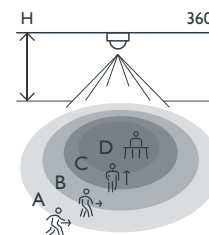
This presence detector is a secondary detector that extends the detection range of a 230 V master detector. The detector is specially designed for mounting in a standard flush-mounting box (60 or 79 mm screw distance). The detector's settings can be modified using the Niko detector tool app and 2-way Bluetooth® communication between a smartphone and the detector. Finishing colour: white

Compatible master detectors: 353-600121, 353-601121, 353-601221, 353-602121, 353-602221, 353-700121, 353-701121, 353-701221, 353-702121, 353-702221, 353-802111

- Easy mounting in a standard flush-mounting box (60 or 79 mm diagonal screw distance)
- Quick cabling using screwless and easily accessible plug-in terminals
- User-friendly app for settings (iOS/Android)
- 2-way Bluetooth® communication ensures quick modification of settings and live feedback in the app
- Fitted with three PIR segments, each covering 120°
- Pre-configured functions:
 - adjustable PIR sensitivity (4 levels) in 3 x 120°
 - one or more PIR segments can be disabled
 - event log keeps track of recent changes
- Wireless communication between master and secondary detectors with a repeater function
- Settings and configuration can be locked with a PIN code



Detection range



H	A Walking	B Across	C Towards	D Presence
2.5 m	∅ 32 m	∅ 28 m	∅ 10 m	∅ 8 m
3.0 m	∅ 37 m	∅ 30 m	∅ 8 m	∅ 4 m

Measured according to EN/IEC63180



Bluetooth®



niko

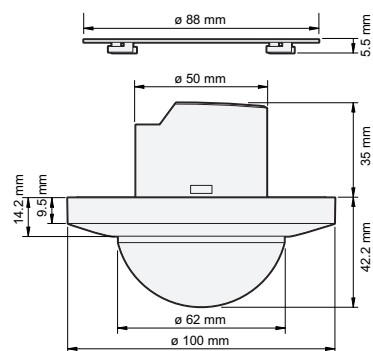
Technical data

Article number	353-700021
Compatible master detectors	353-600121, 353-601121, 353-601221, 353-602121, 353-602221, 353-700121, 353-701121, 353-701221, 353-702121, 353-702221, 353-802111
Input voltage	230 Vac \pm 10 %, 50 Hz
Detector output	230 V (ON/OFF)
Maximum power consumption	0.2 W
Maximum MCB rating	16 A (limited by national installation rules)
Detection angle	360 °
Detection range (PIR)	\varnothing 37 m from a height of 3 m
Ambient temperature	-25 – +40 °C
Mounting method	flush-mounting box
Mounting height	2 – 3.5 m
Colour	white (approximately RAL 9010)
Dimensions visible (HxWxD)	100 x 100 x 42.2 mm
Dimensions (HxWxD)	100 x 100 x 77.2 mm
Maximum range Bluetooth® (free field, depending on the device)	50 m
Operating frequency	2.4 GHz
Maximum radio frequency power	-2 dBm
Protection degree	IP20
Impact resistance	IK04
Modification of settings	Niko detector tool app (iOS-Android) and 2-way Bluetooth® communication
Halogen-free	yes
Marking	CE

Accessories

353-991992 Deco ring for flush-mounted P4XLR and M4XLR detectors, black

Dimensions



Wiring diagram

