

27 702 660 Product version from 7/1/2023



- COMPACT RAIN, max. flow rate 6.8 l/min (at 3 bar)
- with anti-scale system
- rosette Ø 60 mm
- hole diameter 32 mm
- metal shower hose 1750mm with integrated anti-twist protection
- WRAS

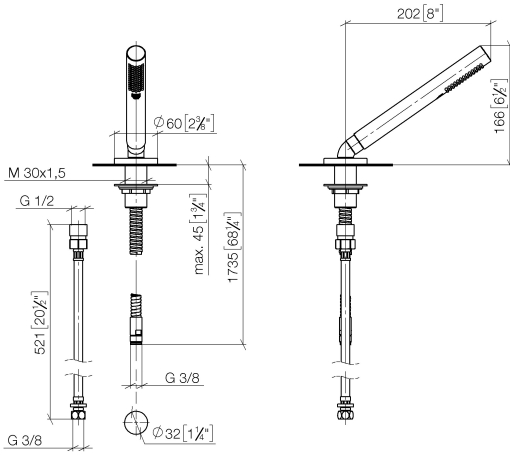
Two-piece design allows hose to later be changed without dismantling the fitting.

Intrinsic protection against back flow.

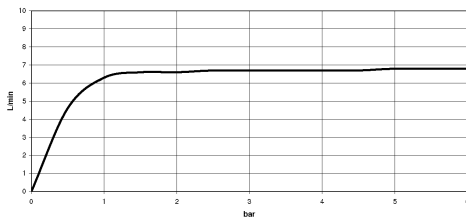
	Chrome	27 702 660-00
	Brushed Platinum	27 702 660-06
	Dark Chrome	27 702 660-19
	Light Gold (PVD)	27 702 660-26
	Brushed Light Gold (PVD)	27 702 660-27
	Matte Black	27 702 660-33
	Brushed Gold (PVD)	27 702 660-37
	Brushed Dark Brass (PVD)	27 702 660-39
	Brushed Bronze (PVD)	27 702 660-42
	Brushed Dark Bronze (PVD)	27 702 660-43
	Brushed Chrome	27 702 660-93
	Brushed Dark Platinum	27 702 660-99

27 702 660 Product version from 7/1/2023

mm [inches]



Flow rate chart



Codes & Standards

ASME A112.18.1	cUPC	DIN 4109	ISO 3822
Scottish Water Byelaws	UK Water Supply Regulations	Ü-Zeichen	



META Hand shower set for bath rim or tile edge installation - Chrome

META

27 702 660 Product version from 7/1/2023

Certificates and sustainability

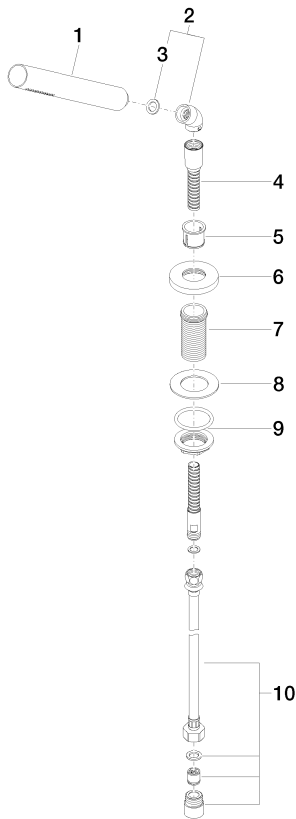
LGA_29

IAPMO_4976

WRAS_2209

27 702 660 Product version from 7/1/2023

Parts for other finishes can be found here: Brushed Platinum



Spare parts list

No.	Item Number	Name	Quantity used	Delivery time
8	09 30 11 060 90	Disc 60 x 34 x 2 mm -	1.00	14
6	09 27 66 003-00	Rosette M33 x 1,5 Ø 60 x 9 mm - Chrome	1.00	26
9	04 23 10 032 46 90	Mounting with seals M30 x 1,5 -	1.00	14
2	90 24 04 019 00-00	Elbow 35° 1/2" x 1/2" - Chrome	1.00	26
7	09 30 01 090-07	Connection Ø 33 x 67 mm - untreated nickel-plated	1.00	54
10	12 505 970 90	High pressure hose 1/2" x 3/8" x 500 mm -	1.00	14
5	90 18 40 085 00 90	Sleeve -	1.00	14
3	90 14 20 002 00 90	Washer 18,5 x 12,0 x 2,0 mm -	1.00	14
4	28 322 970-00	Metal shower hose 1/2" x 3/8" x 1750 mm - Chrome	1.00	14
1	90 12 11 140 41-00	Bar-type hand shower 6,8 l/min - Chrome	1.00	-

Spare part can no longer be ordered, please order the replacement item