

Mounting instructions

SL, SL-L, SL-T skirting trunking

Table of contents

SL, SL-L, SL-T skirting trunking

Mounting instructions

Table of content

1	About these instructions	5
1.1	Target group	5
1.2	Relevance of these instructions	5
1.3	Types of warning information	5
1.4	Basic standards and regulations	5
1.5	Applicable documents	6
2	Intended use	6
3	Safety	6
3.1	General safety information	6
3.2	Personal protective equipment	6
4	Necessary tools	7
5	System overview	7
5.1	System description	7
6	Mounting SL, SL-L and SL-T skirting trunking	8
6.1	Mounting the trunking base	8
6.2	Mounting the trunking base	9
6.3	Mounting device support (for standard devices)	12
7	Mounting device support (with double socket)	15
8	Mounting device support Modul 45®	19
9	Completing mounting	23
10	Disposing of SL, SL-L, SL-T skirting trunking	23
9	Technical data	24
9.1	SL, SL-L and SL-T skirting trunking	24
9.1.1	SL skirting trunking	24
9.1.2	SL-L skirting trunking	24
9.1.3	SL-T skirting trunking	24
9.2	Fittings	25
9.2.1	External corner	25
9.2.2	Internal corner	25
9.2.3	End piece	26
9.2.4	Side closure	27
9.3	Accessories	27
9.3.1	Device support	27
9.3.2	Blanking covers	28
9.3.3	Device covers	28
9.3.4	Panels	28
9.3.5	Couplings	28
9.3.6	Fastening plate	29

1 About these instructions

1.1 Target group



These instructions are intended for the following target groups:

- Trained electrical specialists charged with mounting the media pole
- Electrical planners and engineers charged with the planning of cable routing systems

Electrical work may only be carried out by specialist personnel with electrical training.

1.2 Relevance of these instructions

These instructions are based on the standards valid at the time of compilation (April 2023).

Please read the instructions carefully before commencing mounting. We will not accept any warranty claims for damage and liability caused through non-observance of these instructions.

Any images are intended merely as examples. Mounting results may look different.

To find out more about planning and mounting the product, we recommend a comprehensive training course.

These instructions are intended as assistance in the mounting, maintenance and overhauling of cable routing systems and make no claims as to completeness.

All the documents supplied with the product must be stored in an easily accessible location, so as to be available when information is required. The manufacturer will not accept liability for damage caused through non-observance of these mounting instructions.

Regional and seasonal factors were not taken into account.

1.3 Types of warning information

Note! *Indicates important information or assistance.*

1.4 Basic standards and regulations

- DIN EN 50085, VDE 0604-2-1:2012-09 “Cable trunking systems and cable ducting systems for electrical installations”
- DIN VDE 0100 – Part 410: Protection measures
- DIN VDE 0100 – Part 520: Selection and erection of electrical equipment/Protection against external electrical influences (EMC)
- DIN VDE 0105: Operation of electrical installations (general)

requirements)

- DIN VDE 0298: Application of cables and cords in power installations
- EN 50174: Information technology – Cabling installation

1.5 Applicable documents

The declarations of conformity are linked to the products at www.obo.de.

2 Intended use

SL, SL-L and SL-T skirting trunking according to DIN EN 50085. Electrical installation devices (e.g. sockets, data technology supports or multimedia connections) with a rated voltage of up to 400 V can be installed in the skirting trunking. The skirting trunking is only intended for use in dry, indoor areas.

3 Safety

3.1 General safety information

Observe the following general safety information:

- Contact with electrical current can lead to an electric shock.
- Electrical work may only be carried out by specialist personnel with electrical training.
- Improper mounting or mounting deviating from the manufacturer's specifications may cause the cable routing system to collapse.
- Depending on the version, the cable routing systems are designed for use at different ambient temperatures.

3.2 Personal protective equipment

List of personal protective equipment to be used:



Use hand protection



Wear safety shoes



Wear eye protection

4 Necessary tools

List of tools to be used:

- Screwdriver
- Saw
- Drill

5 System overview

5.1 System description

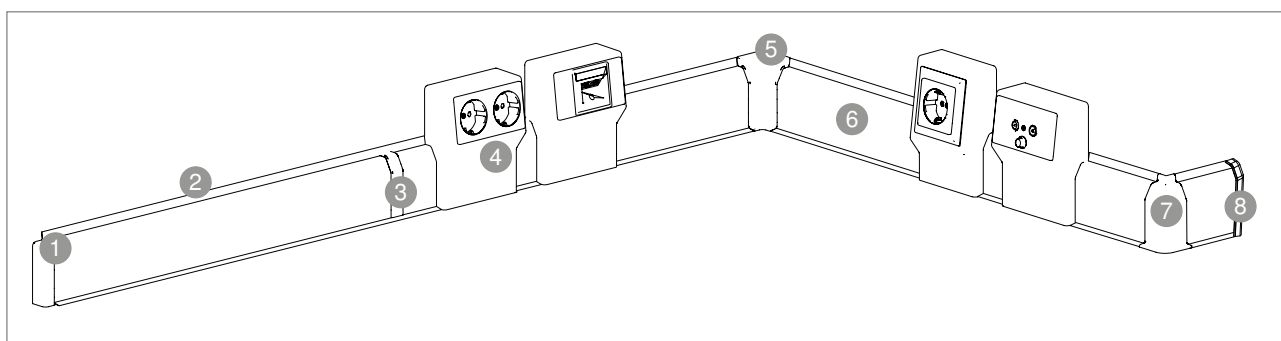

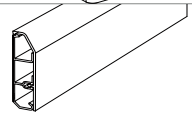

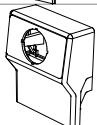
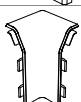

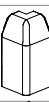



Fig. 1: Overview of SL, SL-L and SL-T skirting trunking

The SL, SL-L and SL-T skirting trunking system has various components:

Item no.	Designation	Figure	Function
1	End piece, left		End piece for closing the SL, SL-L and SL-T skirting trunking at the trunking ends.
2	Trunking base		Base of the SL, SL-L and SL-T skirting trunking for covered cable routing in internal areas. With snap-on cover and base, with base perforation for direct wall mounting.
3	Coupling		Trunking coupling for connecting the SL, SL-L and SL-T skirting trunking. Easily attached using moulded snap-in hooks.
4	Device tank/support		Device tank for mounting devices with support clamps for the SL, SL-L and SL-T skirting trunking. Universally mountable (according to DIN 49075). For snapping onto the base of the trunking system.
5	Internal corner		Internal corner for changing the direction of the SL, SL-L and SL-T skirting trunking.
6	Cover		Cover for closing the SL, SL-L and SL-T skirting trunking.
7	External corner		External corner for changing the direction of the SL, SL-L and SL-T skirting trunking.
8	End piece, right		End piece for closing the SL, SL-L and SL-T skirting trunking at the trunking ends.

Tab. 1: Overview of SL, SL-L and SL-T skirting trunking

There are three different versions of the skirting trunking:

- SL: Standard skirting trunking
- SL-L: Skirting trunking with sealing lip to compensate for uneven surfaces
- SL-T: Skirting trunking to accommodate carpet on the front side

Thanks to its base perforation, the SL, SL-L and SL-T skirting trunking is suitable for direct wall mounting. The polyvinyl chloride (PVC) system is available in the colours pure white, cream white and light grey. The trunking is available in the height 20 mm and in widths 50, 70 and 110 mm. The supply length of the trunking cover and bases is 2 m.

6 Mounting SL, SL-L and SL-T skirting trunking

6.1 Mounting the trunking base

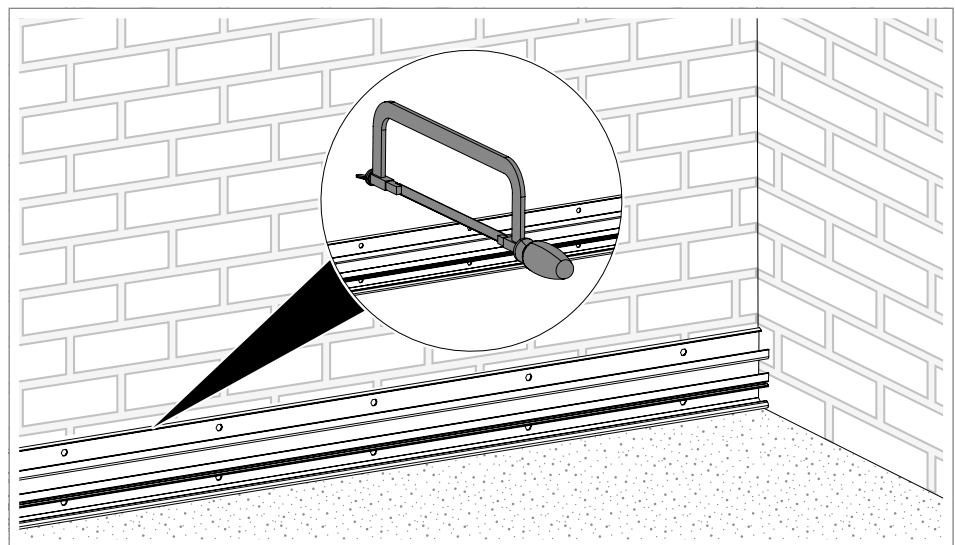


Fig. 2: Cutting trunking base

1. Adjust the trunking base ② to the desired length using a suitable tool (e.g. saw).

6.2 Mounting the trunking base

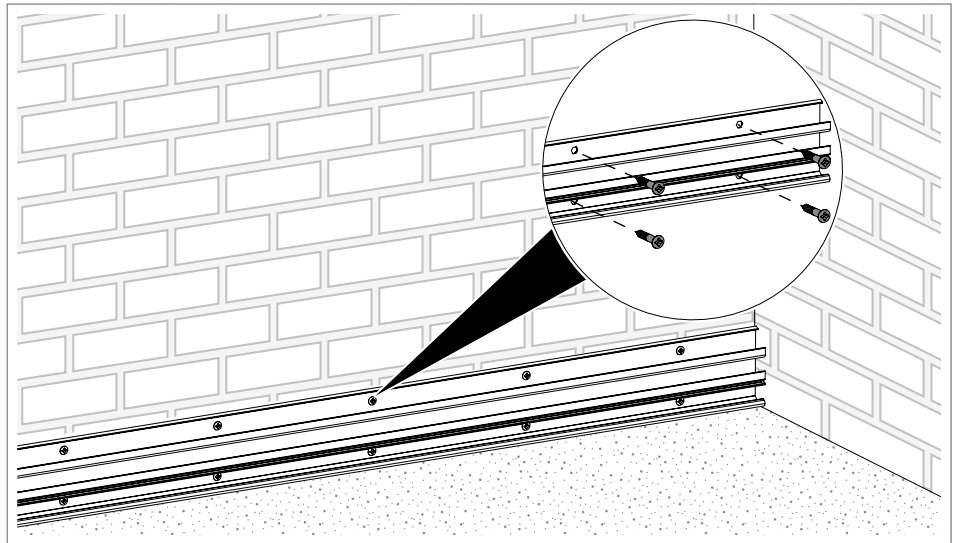


Fig. 3: Screwing the trunking base tightly

2. Fasten the trunking base ② to the wall in the slots using suitable fastening material (e.g. screw and anchor).

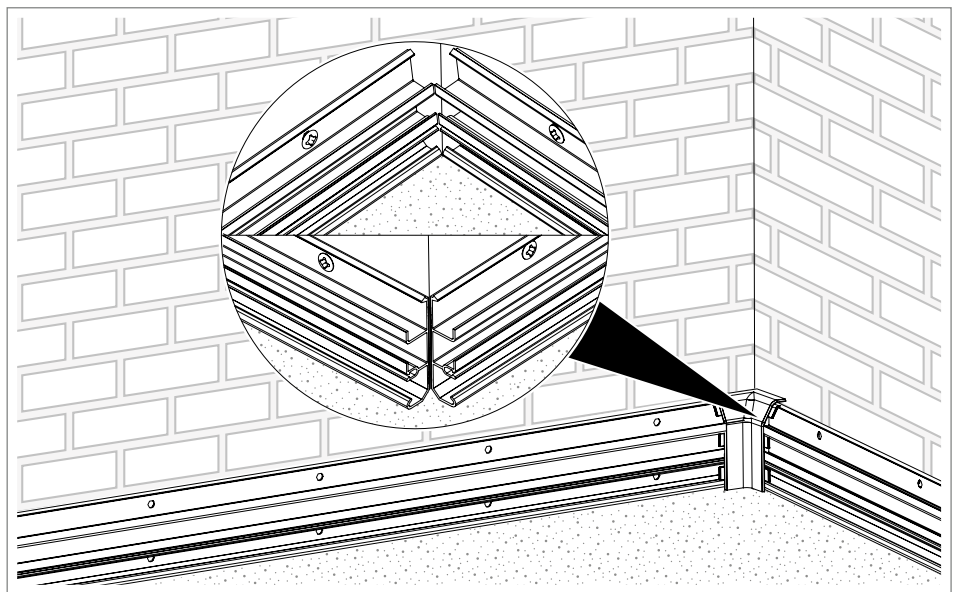


Fig. 4: Creating internal/external corner

3. Create internal/external corner ⑤/⑦ with the trunking base ②.

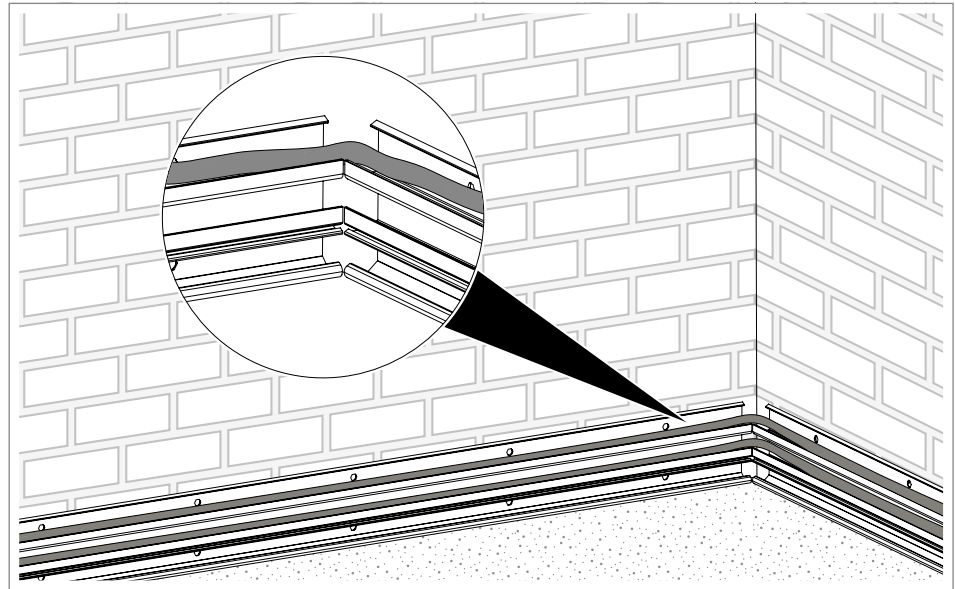


Fig. 5: Insert cables

4. Insert the cables separately in the chambers of the trunking base ②.

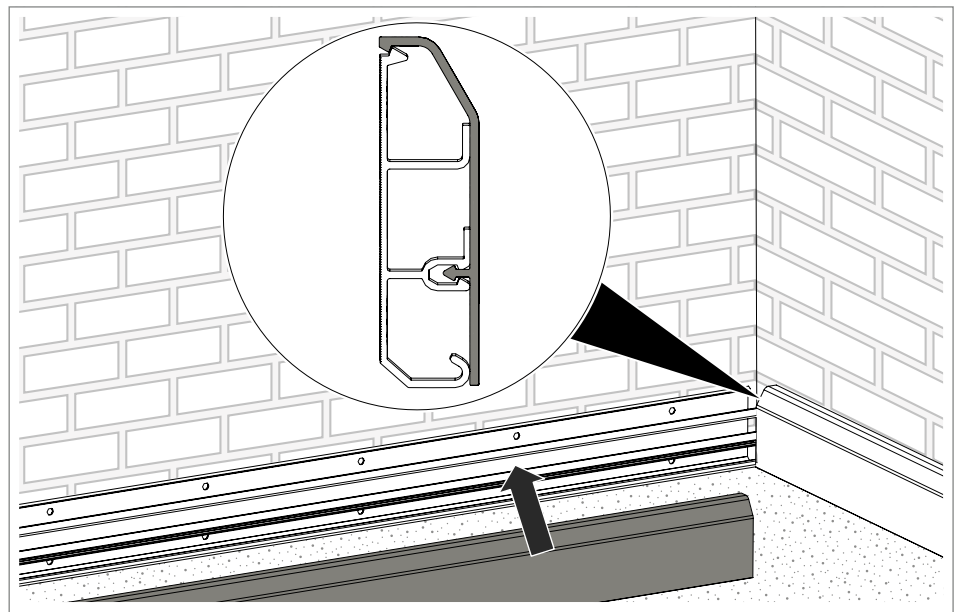


Fig. 6: Engaging the cover

5. Engage the cover ⑥ in the trunking base ②.

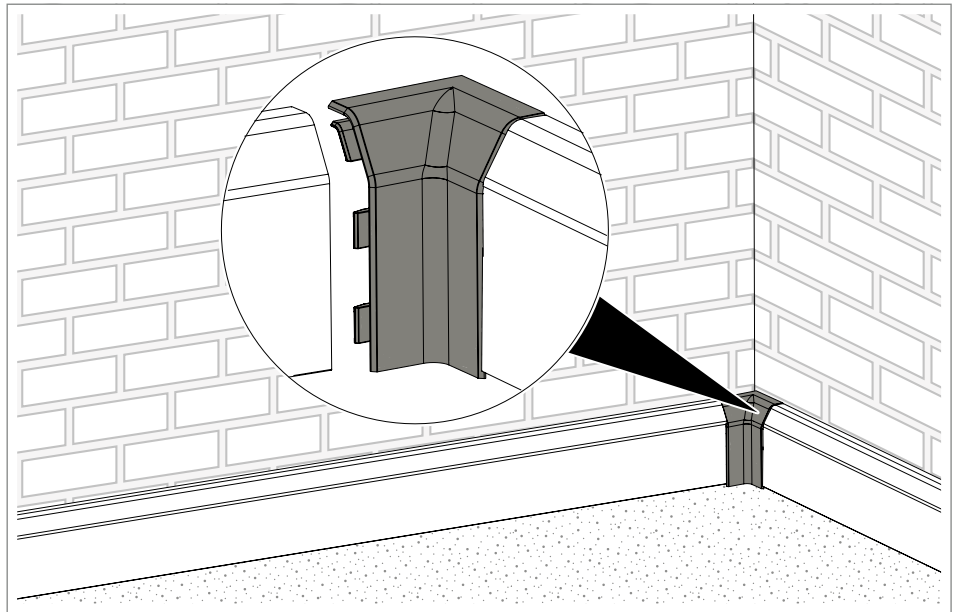


Fig. 7: Mounting internal/external corner

6. Engage covers ⑥ in the internal/external corners ⑤/⑦.

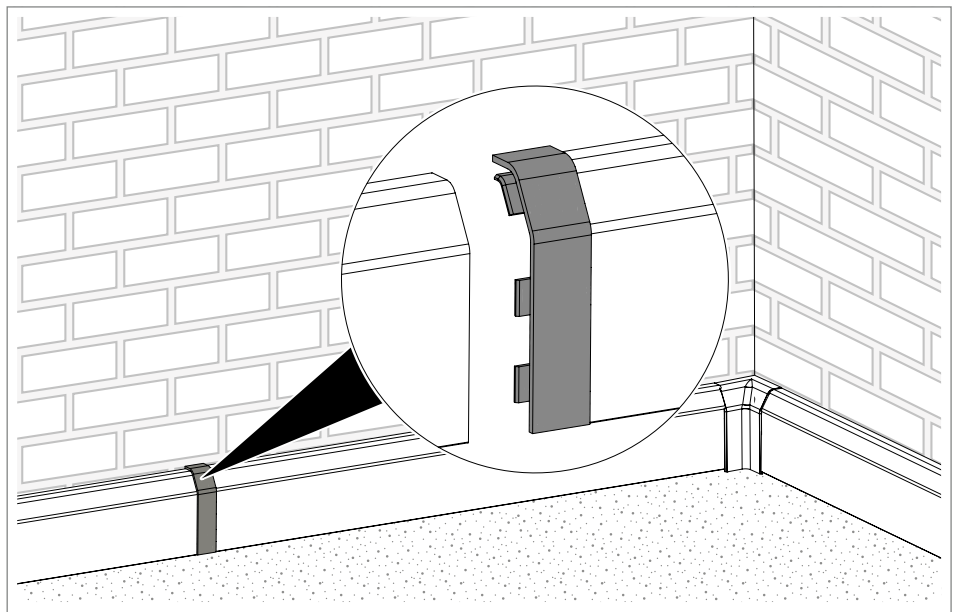


Fig. 8: Mounting trunking coupling

7. Engage coupling ③ on the cut edges of the covers ⑥.

6.3 Mounting device support (for standard devices)

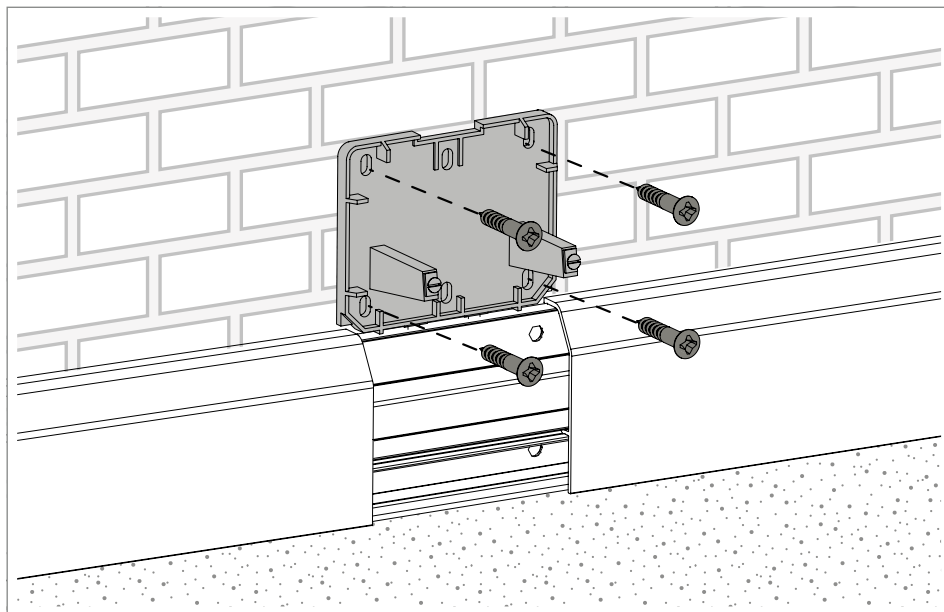


Fig. 9: Screwing in device support

1. Apply the device support ④ to the top of the trunking base ② and screw to the wall.

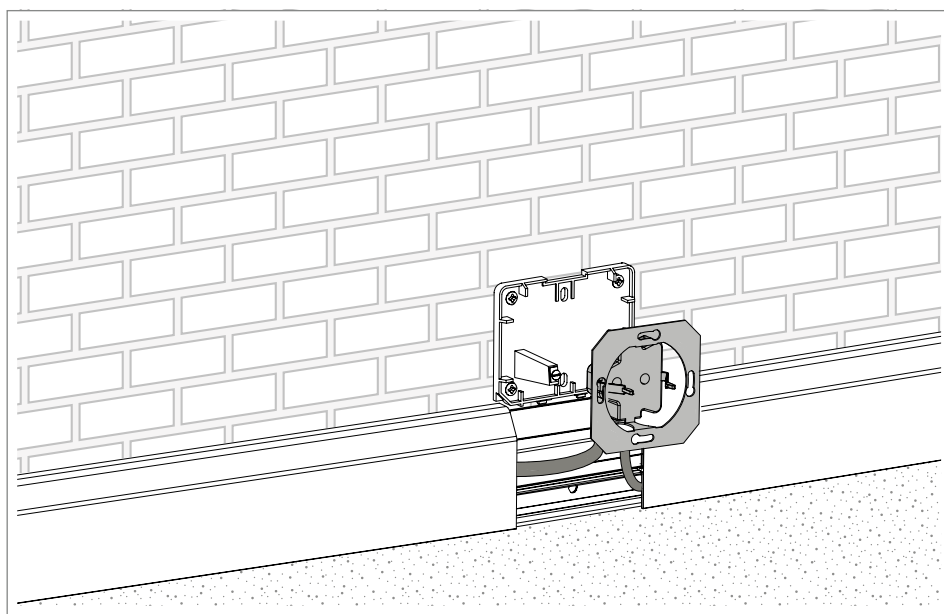


Fig. 10: Connecting device support, screwing on bracket

2. Connect device support ④.
3. Screw the bracket to the device support ④.

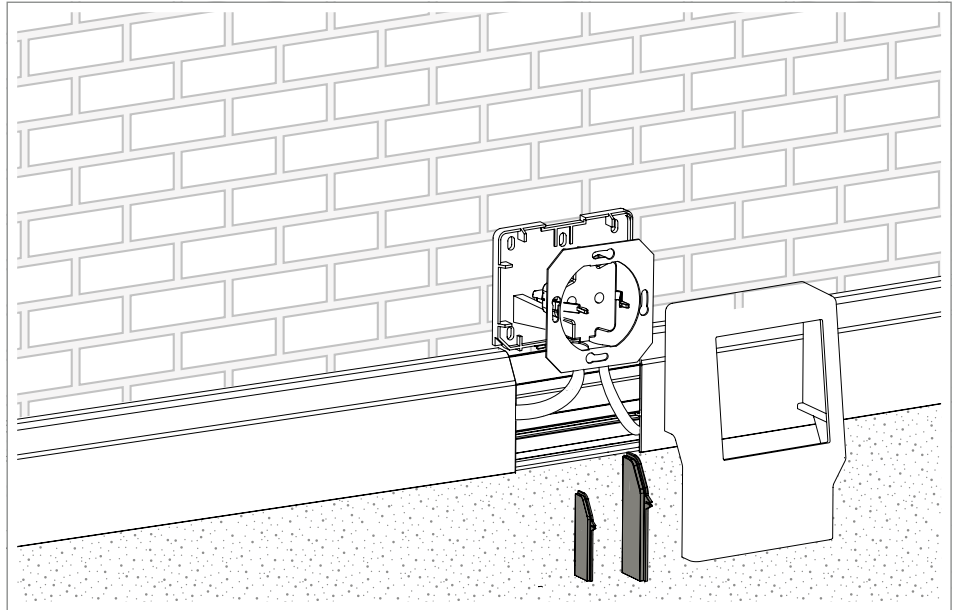


Fig. 11: Mounting adapter plate

Note! *No adapter plate is required for the SL 20 x 110 skirting trunking.*

4. Select the adapter plate according to the height of the skirting trunking ②.
5. Clip on the adapter plate.

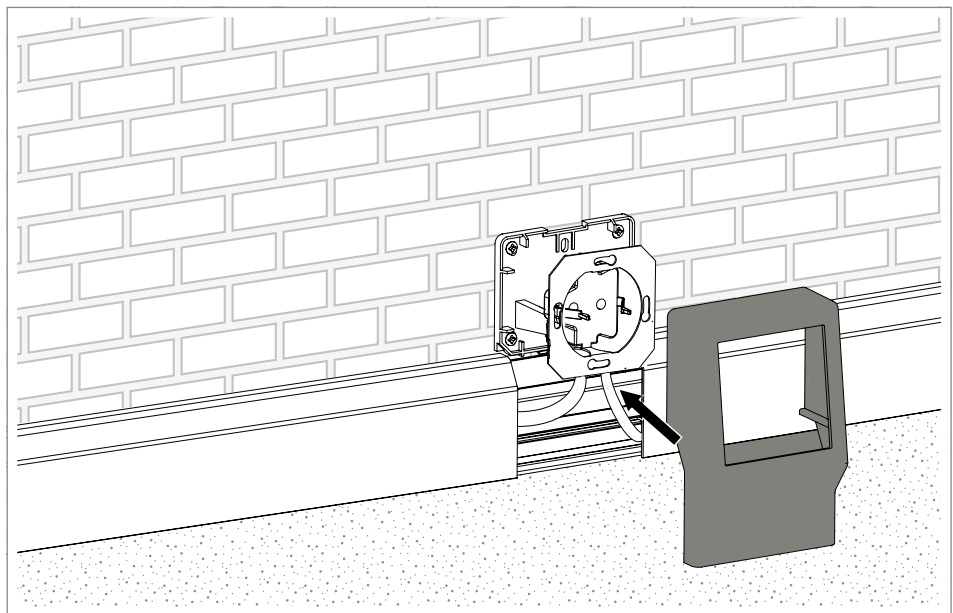


Fig. 12: Mounting front plate

6. Clip the front plate onto the cover.

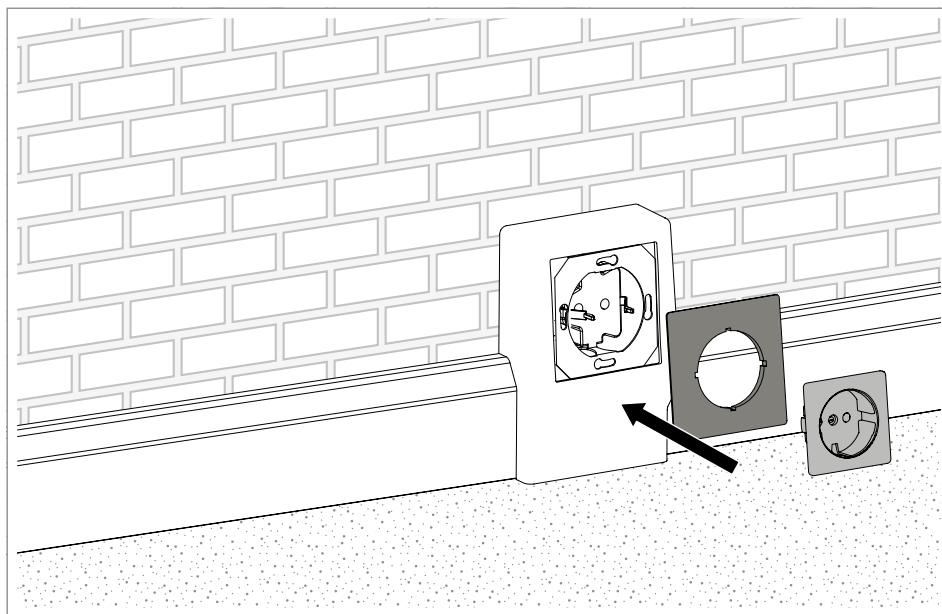


Fig. 13: Mounting end cover

7. Mount the end cover.

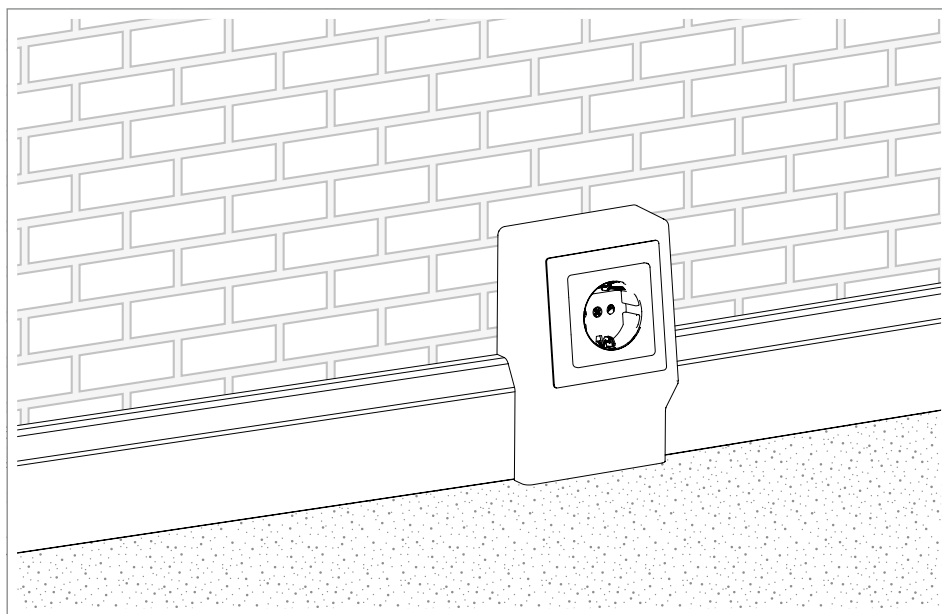


Fig. 14: Installation situation

7 Mounting device support (with double socket)

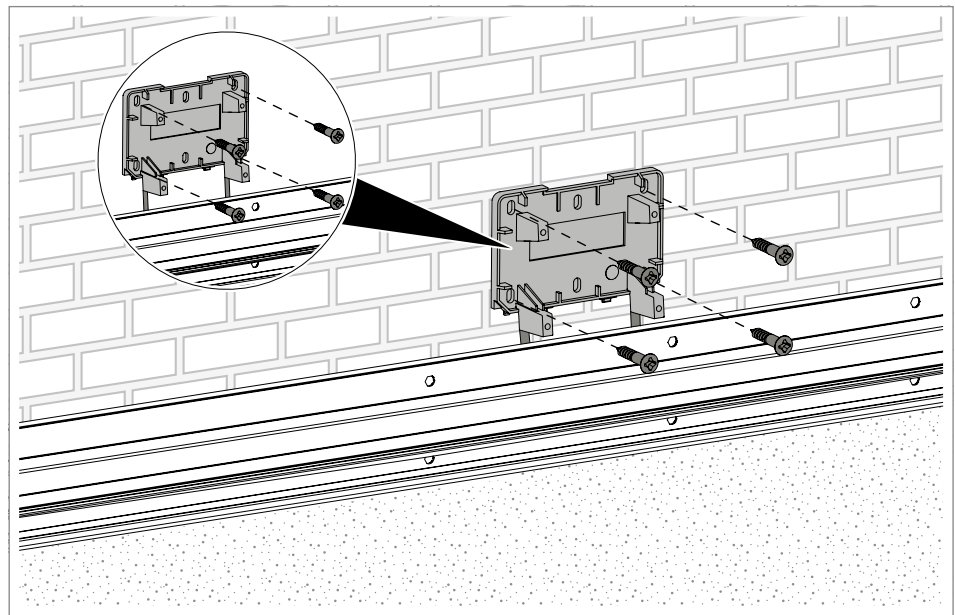


Fig. 15: Mounting device support

1. Trunking height 50 mm: Apply the device support ④ to the mounted skirting trunking base in such a way that the two struts act as spacers. Screw the device support ④ to the wall.
1. Trunking height 70 mm: Break out the spacer and place the device support ④ directly on the base. Screw the device support ④ to the wall.

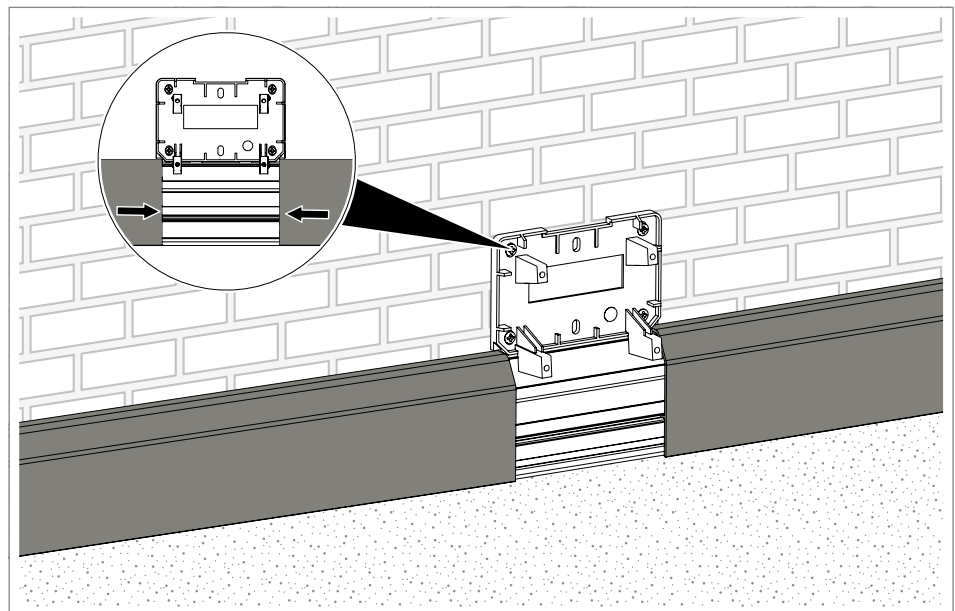


Fig. 16: Mounting covers

2. Place the covers ⑥ on the trunking base ②. In doing so, push the covers ⑥ directly up to the mounted device supports ④.

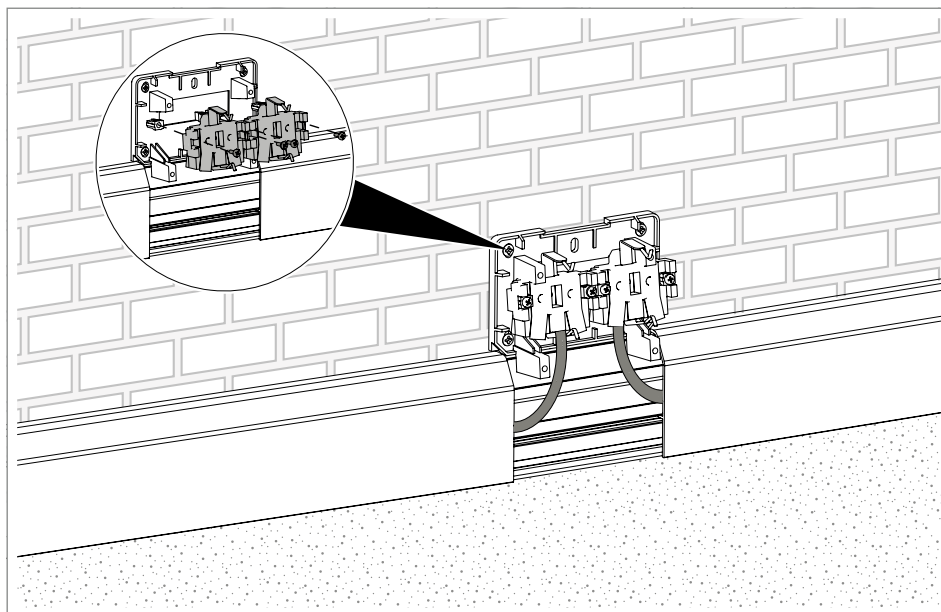


Fig. 17: Connecting device support

3. Connect device support ④.

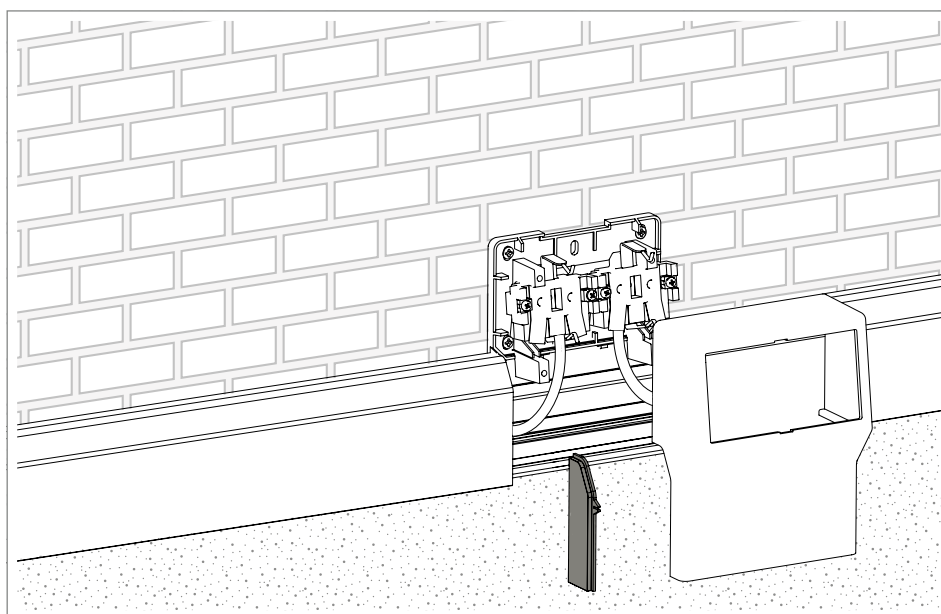


Fig. 18: Mounting adapter plate

Note!

The following step is only necessary when using the SL, SL-L and SL-T skirting trunking of height 50 mm.

4. Insert the supplied adapter plate on both sides.

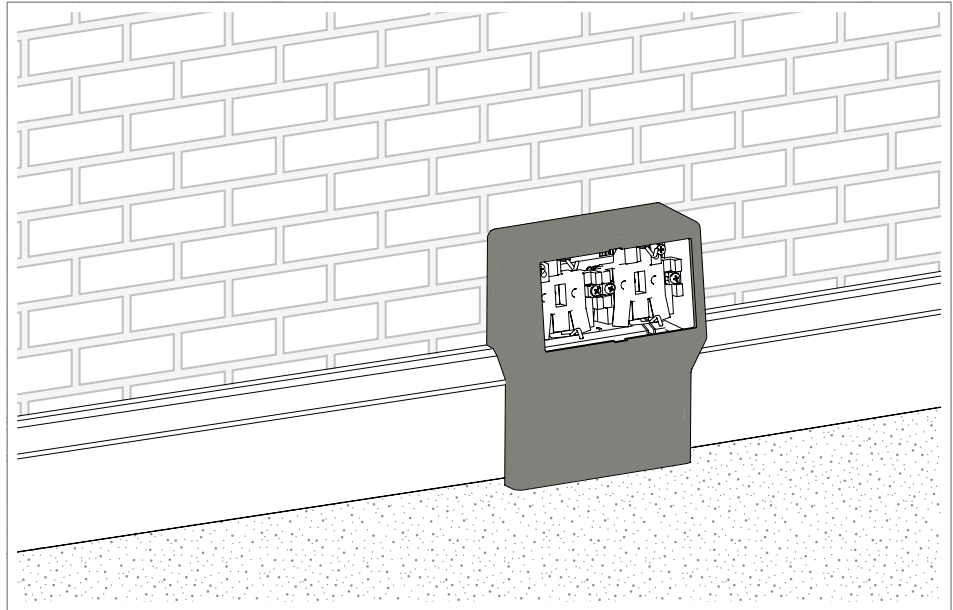


Fig. 19: Mounting device support

5. Attach the front cover **2** to the trunking base.

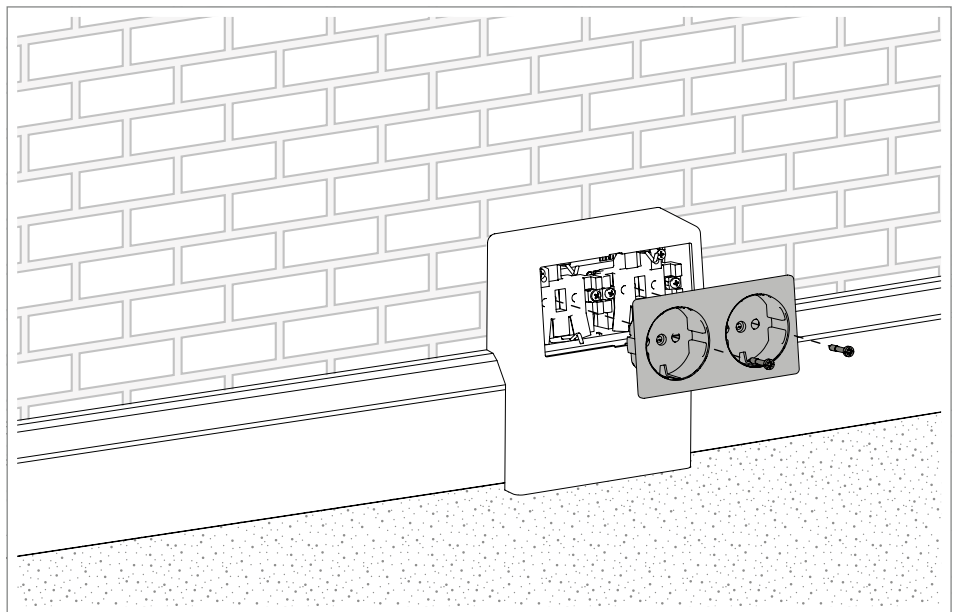


Fig. 20: Mounting device panel

6. Place the device panel, including the screw, in the opening of the device tank **4** and screw it tight.

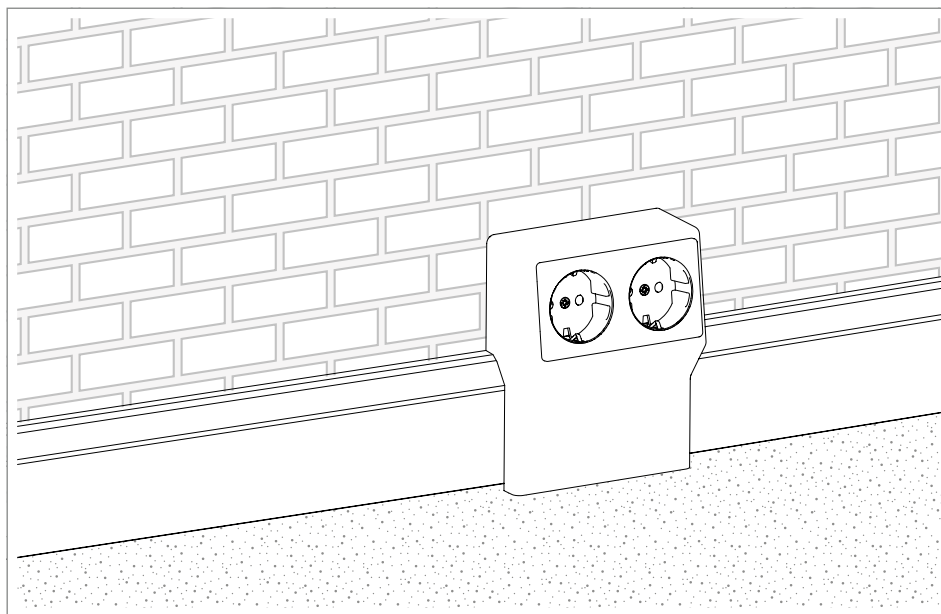


Fig. 21: Installation situation

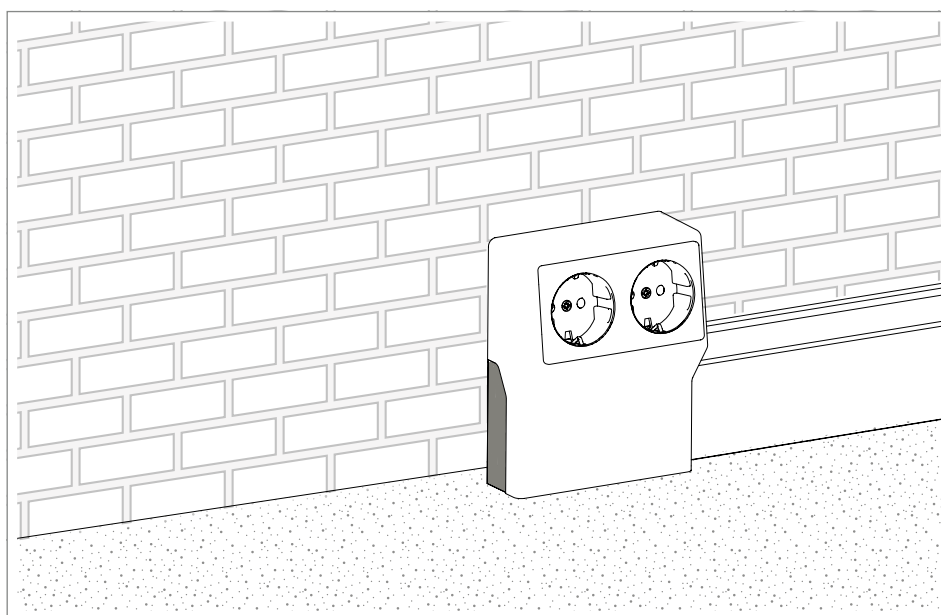


Fig. 22: Side closure

7. When mounted at the end of a piece of skirting, the side opening of the device tank ④ is closed off with the side closure – part to be ordered separately.

8 Mounting device support Modul 45®

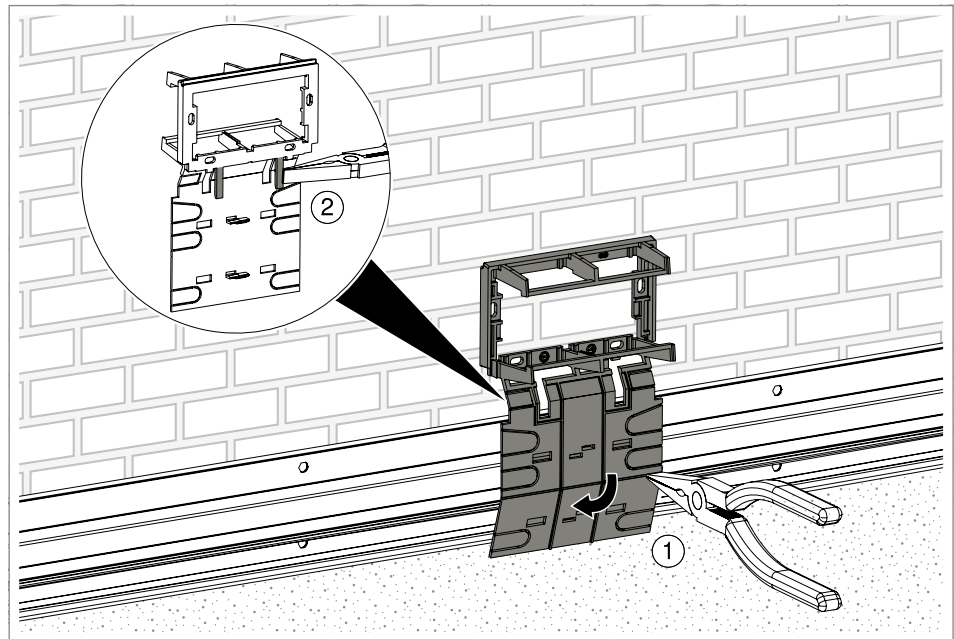


Fig. 23: Preparations for mounting

Note!

The following step is only required for the SL GT 5070 device support if it is mounted in combination with skirting trunking of 50 mm height.

1. Break off the device support ④ at the perforation ①.
2. Break off struts ②.

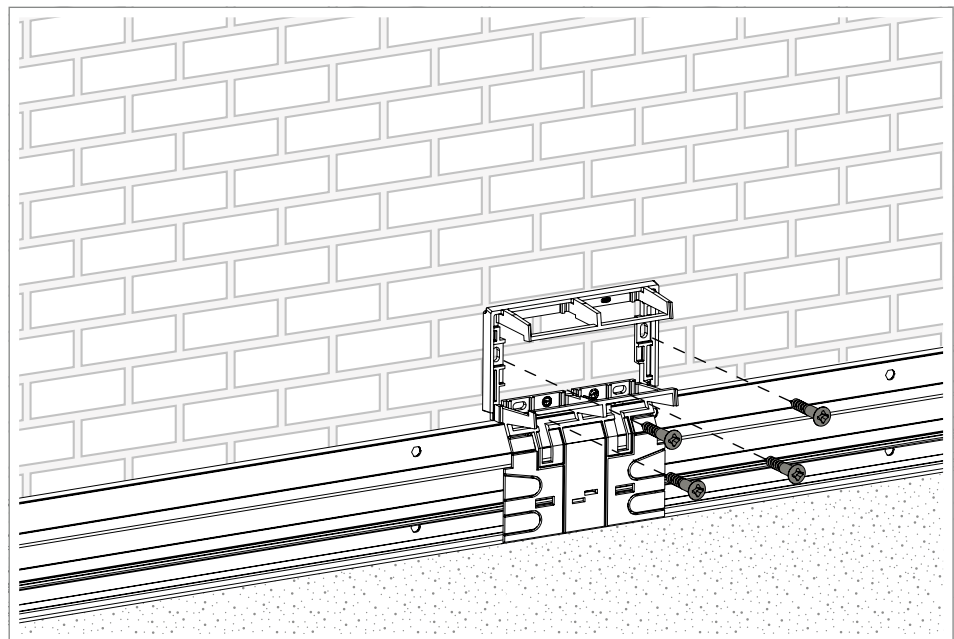


Fig. 24: Screwing device support tight

3. Apply the device support ④ to the top of the trunking base ② and screw to the wall.

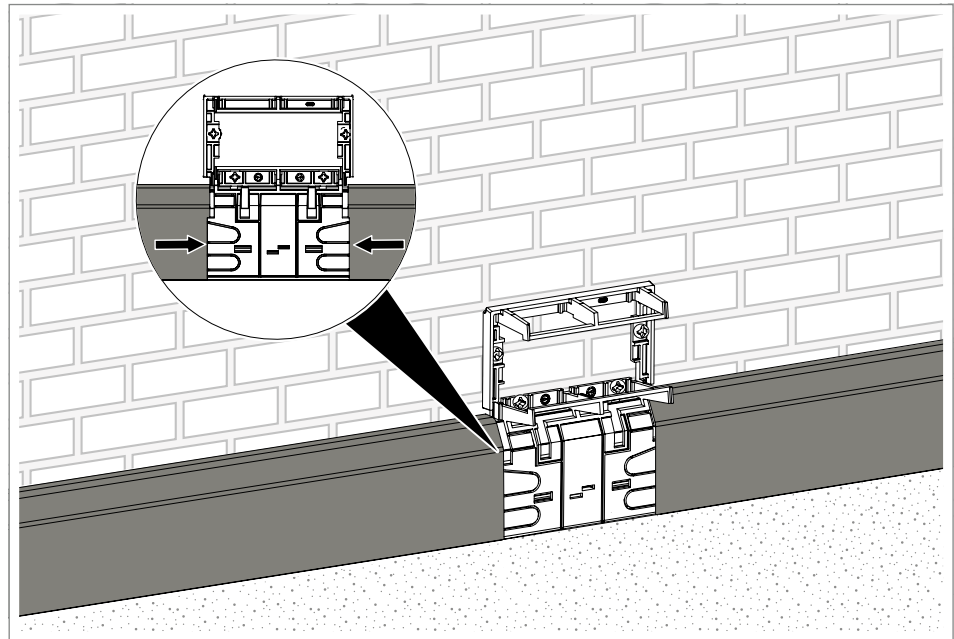


Fig. 25: Mounting covers

4. Place the covers ⑥ on the trunking base ②. In doing so, push the covers ⑥ directly up to the mounted device supports ④.

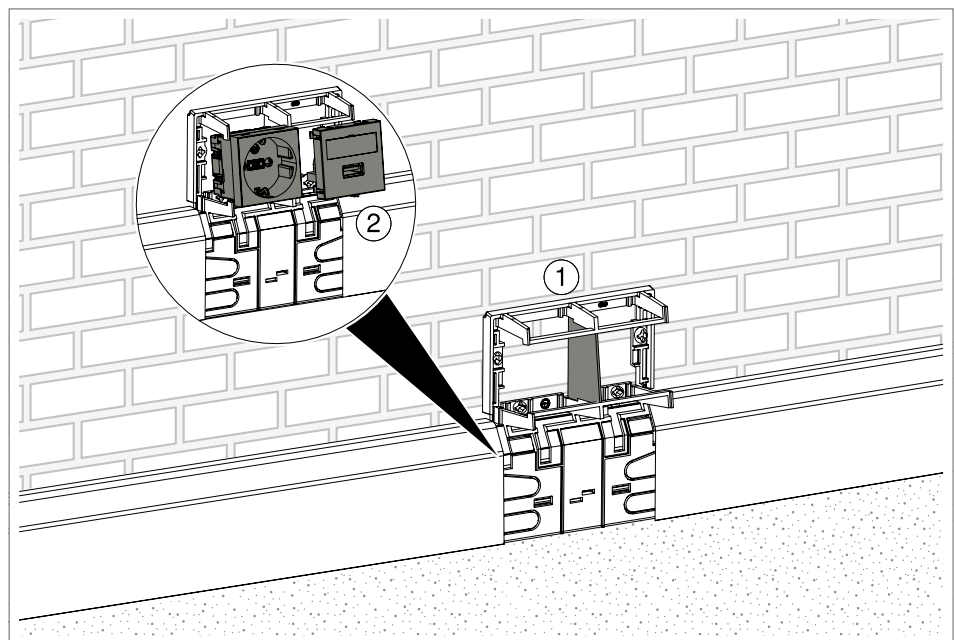


Fig. 26: Mounting single socket

Note!

The following step is only necessary for the mounting of individual Modul 45® devices.

5. Engage the partition in the device support ④ ①.
6. Engage the Modul 45® devices in the device support ④ ②.

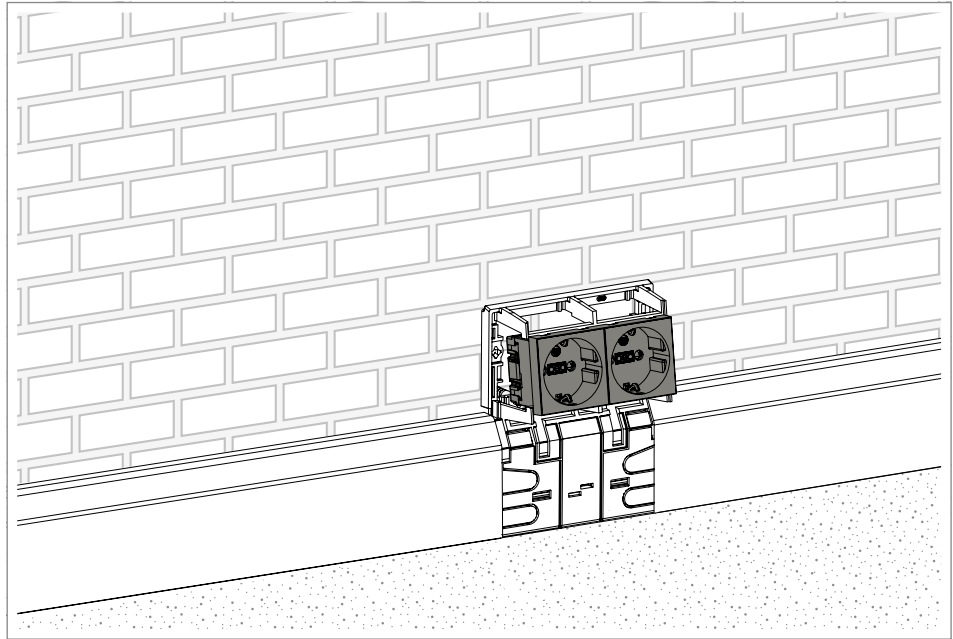


Fig. 27: Mounting double socket

7. Engage the double socket in the device support ④.

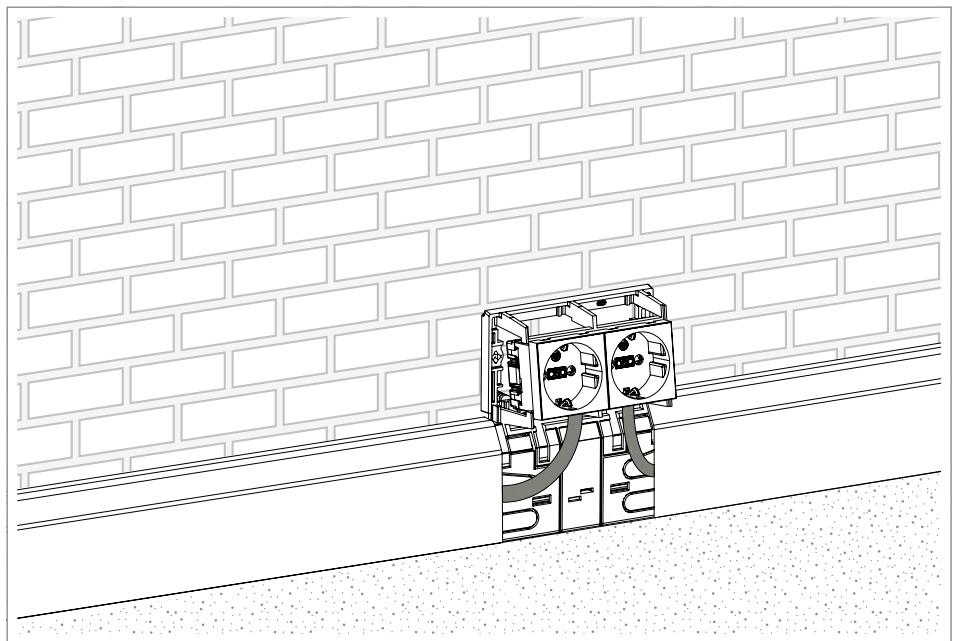


Fig. 28: Connecting socket

8. Connect the sockets/Modul 45® devices.

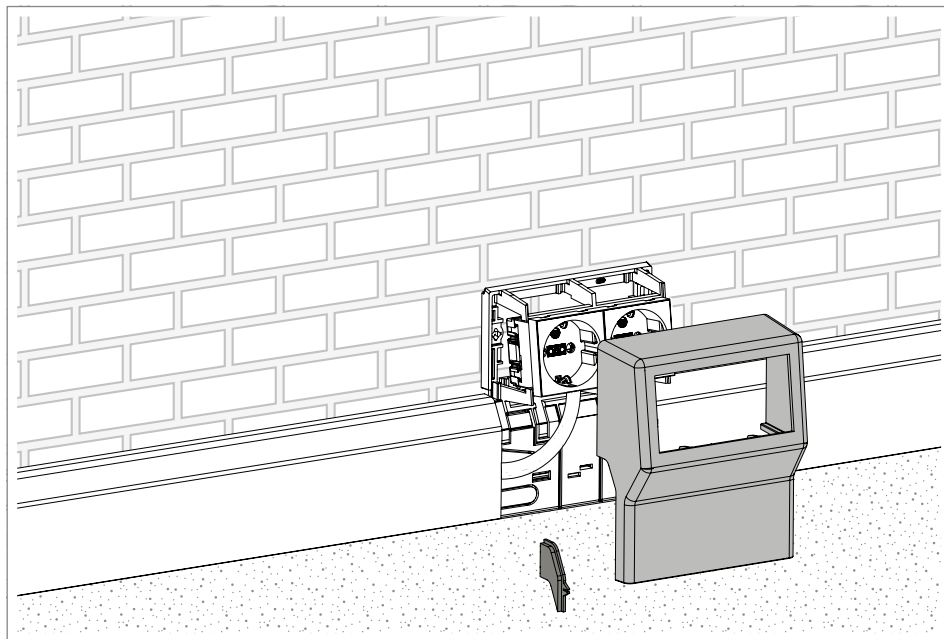


Fig. 29: Mounting adapter plate

Note!

The following step is only required for the SL GT 5070 device support if it is mounted in combination with skirting trunking of 50 mm height.

9. Insert the supplied adapter plate on both sides.

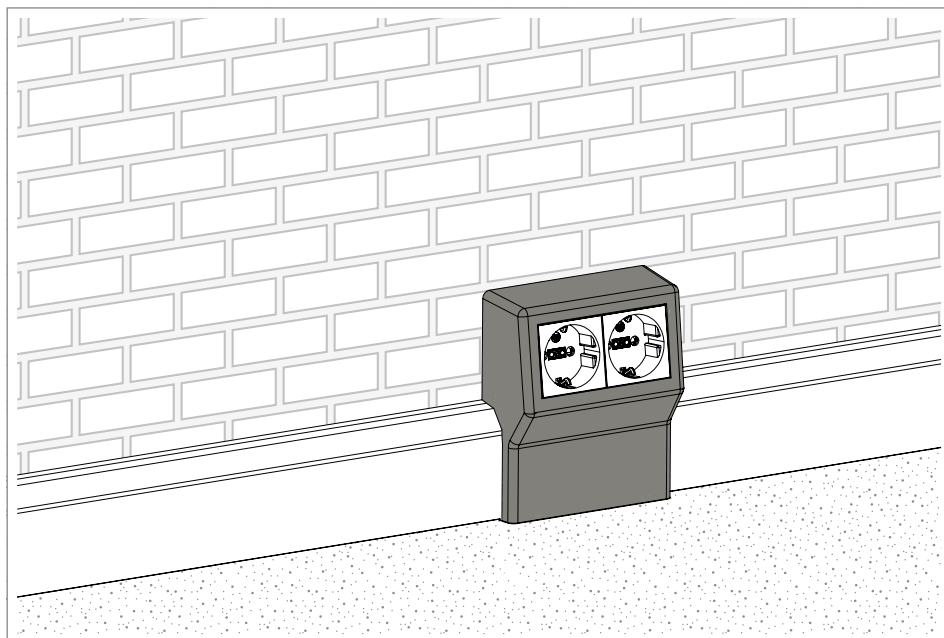


Fig. 30: Mounting cover

10. Snap the cover on the device support ④.

9 Completing mounting

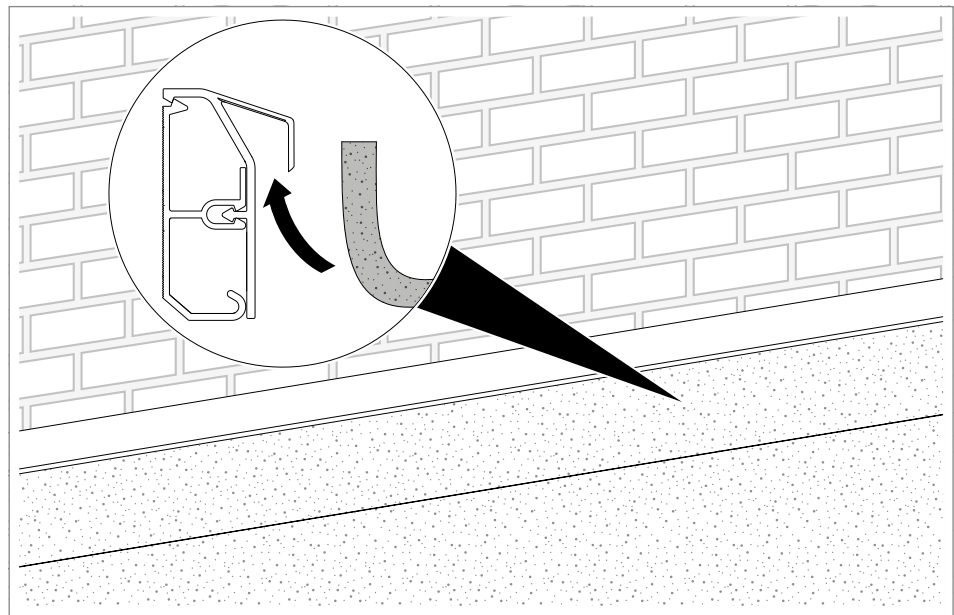


Fig. 31: Finishing carpet strip

Note! *This step is only possible with SL-T skirting trunking.*

1. Clamp carpet under the carpet strip.

10 Disposing of SL, SL-L, SL-T skirting trunking



Observe the local waste disposal regulations:

- Metallic parts as scrap metal
- Plastic parts as domestic waste
- Sockets as electronic waste

9 Technical data

9.1 SL, SL-L and SL-T skirting trunking

9.1.1 SL skirting trunking

Type	Item no.	Dimensions (LxWxH)	Material	Colour
SL 2050 rws	6132193	2,460 x 50 x 18 mm	Polyvinyl chloride	Anthracite
SL 2050 rws	6132193	2,000 x 50 x 20 mm	Polyvinyl chloride	Pure white
SL 2070 rws	6132194	2,000 x 20 x 70 mm	Polyvinyl chloride	Pure white
SL 2070 S	6132196	2,000 x 70 x 18 mm	Polyvinyl chloride	Anthracite
SL 20110 3000rws	6132200	3,000 x 20 x 18 mm	Polyvinyl chloride	Pure white
SL 2050 cws	6132201	2,000 x 50 x 20 mm	Polyvinyl chloride	Cream white
SL 2050 EH	6132202	2,000 x 50 x 20 mm	Polyvinyl chloride	Light oak
SL 2050 beech da	6132203	2,000 x 20 x 50 mm	Polyvinyl chloride	
SL 20110 rws	6132204	2,000 x 20 x 110 mm	Polyvinyl chloride	Pure white
SL 20110 EH	6132206	2,000 x 63 x 18 mm	Polyvinyl chloride	Light oak
SL 20110 rws	6132207	2,000 x 110 x 20 mm	Polyvinyl chloride	Pure white
SL 2070 cws	6132208	2,000 x 70 x 20 mm	Polyvinyl chloride	Cream white
SL 2070 EH	6132209	2,000 x 70 x 20 mm	Polyvinyl chloride	Light oak
SL 2070 rws	6132267	2,000 x 70 x 20 mm	Polyvinyl chloride	Pure white
SL 2070 lgr	6132269	2,000 x 70 x 20 mm	Polyvinyl chloride	Light grey
SL 20110 rws	6132274	2,000 x 110 x 20 mm	Polyvinyl chloride	Pure white

Tab. 2: Technical data: SL skirting trunking

9.1.2 SL-L skirting trunking

Type	Item no.	Dimensions (LxWxH)	Material	Colour
SLL 2050 cws	6132211	2,000 x 65 x 20 mm	Polyvinyl chloride	Cream white
SLL 2050 rws	6132212	2,000 x 65 x 20 mm	Polyvinyl chloride	Pure white
SLL 2070 cws	6132214	2,000 x 85 x 20 mm	Polyvinyl chloride	Cream white
SLL 2070 rws	6132215	2,000 x 85 x 20 mm	Polyvinyl chloride	Pure white

Tab. 3: Technical data: SL-L skirting trunking

9.1.3 SL-T skirting trunking

Type	Item no.	Dimensions (LxWxH)	Material	Colour
SLT 2050 cws	6132217	2,000 x 50 x 20 mm	Polyvinyl chloride	Cream white
SLT 2050 rws	6132218	2,000 x 50 x 20 mm	Polyvinyl chloride	Pure white
SLT 2070 cws	6132221	2,000 x 70 x 20 mm	Polyvinyl chloride	Cream white
SLT 2070 rws	6132222	2,000 x 70 x 20 mm	Polyvinyl chloride	Pure white

Tab. 4: Technical data: SL-T skirting trunking

9.2 Fittings

9.2.1 External corner

Type	Item no.	Dimensions (LxWxH)	Material	Colour
SL AE 20110 rws	6132213	44 x 44 x 111 mm	Polyvinyl chloride	Pure white
SL AE2070 rws	6132216	44 x 44 x 71 mm	Polyvinyl chloride	Pure white
SL AE2050 rws	6132265	44 x 44 x 51 mm	Polyvinyl chloride	Pure white
SL AE2050 cws	6132266	44 x 44 x 51 mm	Polyvinyl chloride	Cream white
SL AE2050 bg	6132268	44 x 44 x 51 mm	Polyvinyl chloride	Beige
SL AE2070 rws	6132270	44 x 44 x 71 mm	Polyvinyl chloride	Pure white
SL AE2070 cws	6132271	44 x 44 x 71 mm	Polyvinyl chloride	Cream white
SL AE2070 lgr	6132272	44 x 44 x 71 mm	Polyvinyl chloride	Light grey
SL AE2070 bg	6132273	44 x 44 x 71 mm	Polyvinyl chloride	Beige
SL AE20110 rws	6132275	44 x 44 x 111 mm	Polyvinyl chloride	Pure white
SL AE20110 bg	6132324	44 x 44 x 111 mm	Polyvinyl chloride	Beige
SL AE20110 bg	6133907	44 x 44 x 111 mm	Polyvinyl chloride	Beige
SLL AE2050 rws	6132260	61 x 46 x 46 mm	Polyvinyl chloride	Pure white
SLL AE2050 cws	6132261	61 x 46 x 46 mm	Polyvinyl chloride	Cream white
SLL AE2070 rws	6132262	81 x 46 x 46 mm	Polyvinyl chloride	Pure white
SLL AE2070 cws	6132263	81 x 46 x 46 mm	Polyvinyl chloride	Cream white
SL 110 SGP	6132323	110 x 81 x 20 mm	Polyvinyl chloride	Pure white

Tab. 5: Technical data: External corner

9.2.2 Internal corner

Type	Item no.	Dimensions (LxWxH)	Material	Colour
SL IE2070 rws	6132210	44 x 44 x 71 mm	Polyvinyl chloride	Pure white
SL IE2050 rws	6132248	44 x 44 x 51 mm	Polyvinyl chloride	Pure white
SL IE2050 cws	6132249	44 x 44 x 51 mm	Polyvinyl chloride	Cream white
SL IE2050 bg	6132251	44 x 44 x 51 mm	Polyvinyl chloride	Beige
SL IE2070 rws	6132253	44 x 44 x 71 mm	Polyvinyl chloride	Pure white
SL IE2070 cws	6132254	44 x 44 x 71 mm	Polyvinyl chloride	Cream white
SL IE2070 lgr	6132255	44 x 44 x 71 mm	Polyvinyl chloride	Light grey
SL IE2070 bg	6132256	44 x 44 x 71 mm	Polyvinyl chloride	Beige
SL IE20110 rws	6132257	44 x 44 x 111 mm	Polyvinyl chloride	Pure white
SL IE20110 rws	6132259	44 x 44 x 111 mm	Polyvinyl chloride	Pure white
SL IE20110 bg	6132322	44 x 44 x 111 mm	Polyvinyl chloride	Beige
SL IE20110 bg	6133908	44 x 44 x 111 mm	Polyvinyl chloride	Beige
SLL IE2050 rws	6132240	61 x 46 x 46 mm	Polyvinyl chloride	Pure white
SLL IE2050 cws	6132241	61 x 46 x 46 mm	Polyvinyl chloride	Cream white
SLL IE2070 rws	6132243	81 x 46 x 46 mm	Polyvinyl chloride	Pure white

Type	Item no.	Dimensions (LxWxH)	Material	Colour
SLL IE2070 cws	6132244	81 x 46 x 46 mm	Polyvinyl chloride	Cream white

Tab. 6: Technical data: Internal corner

9.2.3 End piece

Type	Item no.	Dimensions (LxWxH)	Material	Colour
SL ESli2050 rws	6132293	20 x 20 x 51 mm	Polyvinyl chloride	Pure white
SL ESli2050 cws	6132294	20 x 20 x 51 mm	Polyvinyl chloride	Cream white
SL ESli2050 bg	6132295	20 x 20 x 51 mm	Polyvinyl chloride	Beige
SL ESli2070 rws	6132296	20 x 20 x 71 mm	Polyvinyl chloride	Pure white
SL ESli2070 cws	6132297	20 x 20 x 71 mm	Polyvinyl chloride	Cream white
SL ESli2070 lgr	6132298	20 x 20 x 71 mm	Polyvinyl chloride	Light grey
SL ESli2070 bg	6132299	20 x 20 x 71 mm	Polyvinyl chloride	Beige
SL ESli20110 rws	6132300	20 x 20 x 111 mm	Polyvinyl chloride	Pure white
SL EL20110 rws	6132301	20 x 20 x 111 mm	Polyvinyl chloride	Pure white
SL E2070 LI rws	6132307	20 x 20 x 71 mm	Polyvinyl chloride	Pure white
SL ESL20110 bg	6132328	20 x 20 x 111 mm	Polyvinyl chloride	Beige
SL ESL20110 bg	6132329	20 x 20 x 111 mm	Polyvinyl chloride	Beige
SL ESre2050 rws	6132277	20 x 20 x 51 mm	Polyvinyl chloride	Pure white
SL ESre2050 cws	6132278	20 x 20 x 51 mm	Polyvinyl chloride	Cream white
SL ESre2050 bg	6132279	20 x 20 x 51 mm	Polyvinyl chloride	Beige
SL ESre2070 rws	6132281	20 x 20 x 71 mm	Polyvinyl chloride	Pure white
SL ESre2070 cw	6132282	20 x 20 x 71 mm	Polyvinyl chloride	Cream white
SL ESre2070 lgr	6132283	20 x 20 x 71 mm	Polyvinyl chloride	Light grey
SL ESre2070 bg	6132284	20 x 20 x 71 mm	Polyvinyl chloride	Beige
SL ESre20110 rws	6132286	20 x 20 x 111 mm	Polyvinyl chloride	Pure white
SL ER20110 rws	6132290	20 x 20 x 111 mm	Polyvinyl chloride	Pure white
SL E2070 RE rws	6132292	20 x 20 x 71 mm	Polyvinyl chloride	Pure white
SLT ESli2050 rws	6132288	20 x 50 x 29 mm	Polyvinyl chloride	Pure white
SLT ESli2050 cws	6132289	20 x 50 x 29 mm	Polyvinyl chloride	Cream white
SLT ESli2070 rws	6132291	20 x 70 x 29 mm	Polyvinyl chloride	Pure white
SLT ESli2070 cws	6132320	20 x 70 x 29 mm	Polyvinyl chloride	Cream white
SLT ESre2050 rws	6132302	20 x 50 x 29 mm	Polyvinyl chloride	Pure white
SLT ESre2050 cws	6132303	20 x 50 x 29 mm	Polyvinyl chloride	Cream white
SLT ESre2070 rws	6132305	20 x 70 x 29 mm	Polyvinyl chloride	Pure white
SLT ESre2070 cws	6132306	20 x 70 x 29 mm	Polyvinyl chloride	Cream white

Tab. 7: Technical data: End piece

9.2.4 Side closure

Type	Item no.	Dimensions (LxWxH)	Material	Colour
SL GTSA5070cws	6132197	3 x 20 x 70 mm	Polyvinyl chloride	Cream white
SL GTSA5070rws	6132234	3 x 20 x 70 mm	Polyvinyl chloride	Pure white

Tab. 8: Technical data: Side closure

9.3 Accessories

9.3.1 Device support

Type	Item no.	Dimensions (LxWxH)	Material	Colour
SL ETler5070 lgr	6132237	47 x 96 x 144 mm	Polyvinyl chloride	Light grey
SL ETler5070 rws	6132238	47 x 96 x 144 mm	Polyvinyl chloride	Pure white
SL ETler5070 cws	6132239	47 x 96 x 144 mm	Polyvinyl chloride	Cream white
SL ETler20110rws	6132242	47 x 96 x 184 mm	Polyvinyl chloride	Pure white
SL ETler5070 bg	6132317	47 x 96 x 144 mm	Polyvinyl chloride	Beige
SL GT1 BS110 rws	6132314	20 x 66 x 110 mm	Polyvinyl chloride	Pure white
SL 110 SSH1	6132331	47 x 96 x 184 mm	Polyvinyl chloride	Pure white
SL 110 M45 1 rws	6133918	115 x 60 x 40 mm	Polyvinyl chloride	Pure white
SL GT1 20110 cws	6132186	47 x 96 x 184 mm	Polyvinyl chloride	Cream white
SL GT1 20110 rws	6132187	47 x 96 x 184 mm	Polyvinyl chloride	Pure white
SL 110 GT1M45bg	6132276	115 x 60 x 40 mm	Polyvinyl chloride	Beige
SL GT1 BS rws	6132310	20 x 96 x 70 mm	Polyvinyl chloride	Pure white
SL2GTK5070 cws	6132178	50 x 111 x 138 mm	Polyvinyl chloride	Cream white
SL2GTK5070 rws	6132179	50 x 111 x 138 mm	Polyvinyl chloride	Pure white
SL GT2 lgr	6132332	50 x 111 x 138 mm	Polyvinyl chloride	Light grey
SL GT50-70CHrws	6132188	47 x 96 x 144 mm	Polyvinyl chloride	Pure white
SL 70 GT M45 rws	6132189	140 x 60 x 40 mm	Polyvinyl chloride	Pure white
SL2GT5070 rws	6132245	50 x 111 x 138 mm	Polyvinyl chloride	Pure white
SL2GT5070 cws	6132246	50 x 111 x 138 mm	Polyvinyl chloride	Cream white
SL2GT5070 lgr	6132247	50 x 111 x 138 mm	Polyvinyl chloride	Light grey
SL2GT20110 rws	6132250	50 x 111 x 176 mm	Polyvinyl chloride	Pure white
SL GT2 BS rws	6132311	47 x 156 x 146 mm	Polyvinyl chloride	Pure white
SL 110 GT2 BSrws	6132315	47 x 156 x 186 mm	Polyvinyl chloride	Pure white
SL 2GT2050 bg	6132318	50 x 111 x 138 mm	Polyvinyl chloride	Beige
SL GT5070 bg	6132198	50 x 111 x 138 mm	Polyvinyl chloride	Beige
SL 70 GT M45 rws	6132319	140 x 60 x 40 mm	Polyvinyl chloride	Pure white
SL GTO 50-70 lgr	6132223	50 x 111 x 138 mm	Polyvinyl chloride	Light grey
SL GTO 50-70 cws	6132224	50 x 111 x 138 mm	Polyvinyl chloride	Cream white
SL GTO 50-70 rws	6132229	50 x 111 x 138 mm	Polyvinyl chloride	Pure white
SL GTler20110rws	6132236	50 x 111 x 176 mm	Polyvinyl chloride	Pure white

Type	Item no.	Dimensions (LxWxH)	Material	Colour
SL GT5070M45rws	6134500	116 x 139 x 50 mm	Polyvinyl chloride	Pure white
SL GT5070M45 lgr	6134501	116 x 139 x 50 mm	Polyvinyl chloride	Light grey
SL GT110M45 rws	6134506	116 x 179 x 50 mm	Polyvinyl chloride	Pure white

Tab. 9: Technical data: Device support

9.3.2 Blanking covers

Type	Item no.	Dimensions (LxWxH)	Material	Colour
SL BL blind rws	6132199	5 x 100 x 54 mm	Polyvinyl chloride	Pure white
SL BL blind cws	6132252	5 x 100 x 54 mm	Polyvinyl chloride	Cream white

Tab. 10: Technical data: Blanking covers

9.3.3 Device covers

Type	Item no.	Dimensions (LxWxH)	Material	Colour
SL GTSA5070 bg	6132156	72 x 22 x 4 mm	Polyvinyl chloride	Beige

Tab. 11: Technical data: Device covers

9.3.4 Panels

Type	Item no.	Dimensions (LxWxH)	Material	Colour
SL BL2KS lgr	6132340	100 x 54 x 26 mm	Polyvinyl chloride	Light grey
SL BL2KS rws	6132341	100 x 54 x 26 mm	Polyvinyl chloride	Pure white
SL GT BL double	6132348	99 x 54 x 30 mm	Polyvinyl chloride	Pure white
SL BL ANT cws	6132195	5 x 100 x 54 mm	Polyvinyl chloride	Cream white
SL BL ANT rws	6132258	5 x 100 x 54 mm	Polyvinyl chloride	Pure white
SL 20110 ABM45	6132287	115 x 60 x 40 mm	Polyvinyl chloride	Pure white
SL BL BTR	6132339	100 x 54 x 3 mm	Polyvinyl chloride	Pure white

Tab. 12: Technical data: Panels

9.3.5 Couplings

Type	Item no.	Dimensions (LxWxH)	Material	Colour
SL KUP2070 Prws	6132219	20 x 18 x 72 mm	Polyvinyl chloride	Pure white
SL KUP2070SBrws	6132220	20 x 18 x 72 mm	Polyvinyl chloride	Pure white
SL KUP2050 rws	6132225	20 x 18 x 52 mm	Polyvinyl chloride	Pure white
SL KUP2050 cws	6132226	20 x 18 x 52 mm	Polyvinyl chloride	Cream white
SL 20110 KUPrws	6132227	20 x 18 x 112 mm	Polyvinyl chloride	Pure white
SL KUP2050 bg	6132228	20 x 18 x 52 mm	Polyvinyl chloride	Beige
SL KUP2070 rws	6132230	20 x 18 x 72 mm	Polyvinyl chloride	Pure white

Type	Item no.	Dimensions (LxWxH)	Material	Colour
SL KUP2070 cws	6132231	20 x 18 x 72 mm	Polyvinyl chloride	Cream white
SL KUP2070 lgr	6132232	20 x 18 x 72 mm	Polyvinyl chloride	Light grey
SL KUP2070 bg	6132233	20 x 18 x 72 mm	Polyvinyl chloride	Beige
SL KUP20110rws	6132235	20 x 18 x 112 mm	Polyvinyl chloride	Pure white

Tab. 13: Technical data: Couplings

9.3.6 Fastening plate

Type	Item no.	Dimensions (LxWxH)	Material	Colour
SL 110 SBFP	6132342		Polyvinyl chloride	Pure white

Tab. 14: Technical data: Fastening plate

9.4 Covers

Type	Item no.	Dimensions (LxWxH)	Material	Colour
SLL 2050 cws	6132157	2,000 x 20 x 16 mm	Polyvinyl chloride	Cream white
SLL 2050 rws	6132158	2,000 x 20 x 16 mm	Polyvinyl chloride	Pure white
SLL 2070 rws	6132159	2,000 x 20 x 3 mm	Polyvinyl chloride	Pure white
SL 2050 OT rws	6132150	2,000 x 20 x 3 mm	Polyvinyl chloride	Pure white
SL 2050 OT cws	6132308	2,000 x 20 x 3 mm	Polyvinyl chloride	Cream white

Tab. 15: Technical data: Covers

OBO Bettermann Holding GmbH & Co. KG

P.O. Box 1120
58694 Menden
GERMANY

Customer Service Germany

Tel.: +49 (0)2373 89-1300

toi@obo.de

www.obo-bettermann.com

230034.01 Date 07/2023

Building Connections

