

# Mounting instructions

Rauduo electrical/heating trunking

## Table of contents

---

### **Rauduo electrical/heating trunking**

*Mounting instructions*

---

## Table of contents

<b>1</b>	<b>About these instructions</b>	<b>4</b>
1.1	Target group	4
1.2	Relevance of these instructions	4
1.3	Types of warning information	4
1.4	Basic standards and regulations	4
1.5	Applicable documents	5
<b>2</b>	<b>Intended use</b>	<b>5</b>
<b>3</b>	<b>Safety</b>	<b>5</b>
3.1	General safety information	5
3.2	Personal protective equipment	5
<b>4</b>	<b>Necessary tools</b>	<b>6</b>
<b>5</b>	<b>System overview</b>	<b>6</b>
5.1	System description	6
<b>6</b>	<b>Mounting the Rauduo skirting trunking</b>	<b>8</b>
6.1	Mounting the trunking base	8
6.1.1	Mounting the device support/box	9
<b>7</b>	<b>Disposing of the Rauduo skirting trunking</b>	<b>12</b>
<b>8</b>	<b>Technical data</b>	<b>14</b>
8.1	Trunking base	14
8.2	Fittings	14
8.3	Accessories	14

# 1 About these instructions

## 1.1 Target group



These instructions are intended for the following target groups:

- Trained electrical specialists charged with mounting the skirting trunking
- Electrical planners and engineers charged with the planning of cable routing systems

Electrical work may only be carried out by specialist personnel with electrical training.

## 1.2 Relevance of these instructions

These instructions are based on the standards valid at the time of compilation (January 2023).

Please read the instructions carefully before starting mounting. We will not accept any warranty claims for damage and liability caused through non-observance of these instructions.

Any images are intended merely as examples. Mounting results may look different.

These instructions are intended as assistance in the mounting, maintenance and overhauling of cable routing systems and make no claims as to completeness.

All the documents supplied with the product must be stored in an easily accessible location, so as to be available when information is required. The manufacturer will not accept liability for damage caused through non-observance of these mounting instructions.

Regional and seasonal factors were not taken into account.

## 1.3 Types of warning information



### Type of risk!

Shows a risky situation. If the safety instruction is not observed, then medium or minor injuries may occur.

### Note!

*Indicates important information or assistance.*

## 1.4 Basic standards and regulations

- DIN EN 50085, VDE 0604-2-1:2012-09 “Cable trunking systems and cable ducting systems for electrical installations”
- DIN VDE 0100 – Part 410: Protection measures
- DIN VDE 0100 – Part 520: Selection and erection of electrical

equipment/Protection against external electrical influences (EMC)

- DIN VDE 0105: Operation of electrical installations (general requirements)
- DIN VDE 0298: Application of cables and cords in power installations
- EN 50174: Information technology – Cabling installation

## 1.5 Applicable documents

The declarations of conformity are linked to the products at [www.obo-bettermann.com](http://www.obo-bettermann.com).

## 2 Intended use

Rauduo combined electrical/heating trunking according to DIN EN 50085 with two thermally separated individual chambers for joint routing of electrical and heating lines. Electrical installation devices (e.g. sockets, data technology supports or multimedia connections) with a nominal voltage of up to 400 V can be installed in the trunking. The skirting trunking is only approved for use in dry indoor areas.

## 3 Safety

### 3.1 General safety information

Observe the following general safety information:

- Contact with electrical current can lead to an electric shock.
- Electrical work may only be carried out by specialist personnel with electrical training.
- Improper mounting or mounting deviating from the manufacturer's specifications may cause the cable routing system to collapse.
- Depending on the version, the cable routing systems are designed for use at different ambient temperatures.

### 3.2 Personal protective equipment

List of personal protective equipment to be used:



Use hand protection



Wear safety shoes



Wear eye protection

## 4 Necessary tools

List of tools to be used:

- Screwdriver
- Saw
- Drill

## 5 System overview

### 5.1 System description

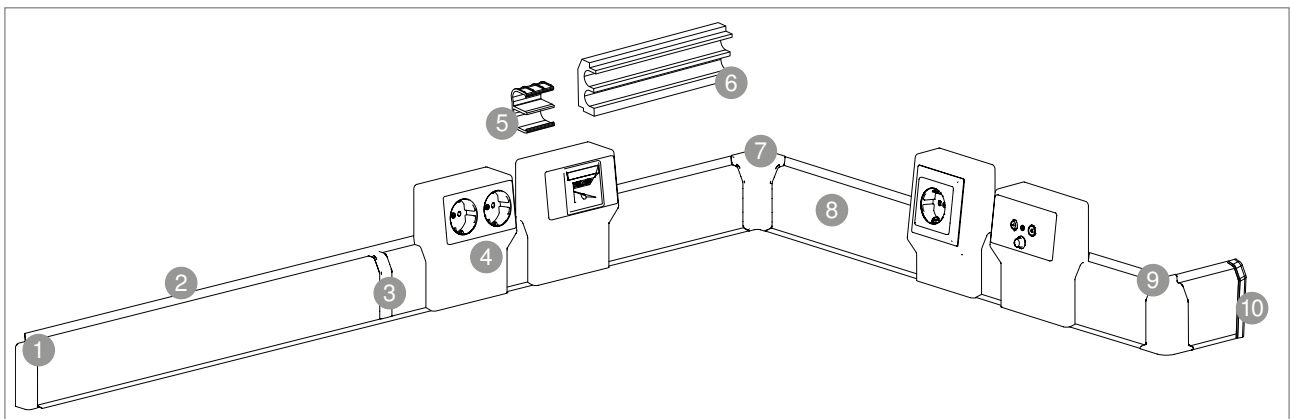
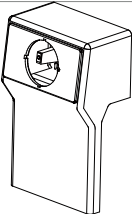
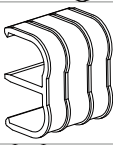
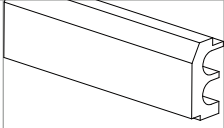
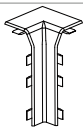
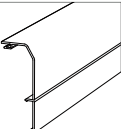
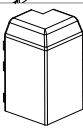
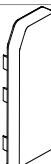


Fig. 1: Overview, Rauduo skirting trunking

Various components belong to the Rauduo skirting trunking:

Item no.	Designation	Figure	Function
1	End piece, left		End piece for closing the trunking ends of the Rauduo skirting trunking.
2	Trunking base		Base of the Rauduo skirting trunking with two thermally separated individual chambers for joint routing of electrical and heating lines. With locking function for accommodating the trunking covers.
3	Trunking coupling		Trunking coupling to connect the Rauduo skirting trunking. Easily attached using moulded snap-in hooks.

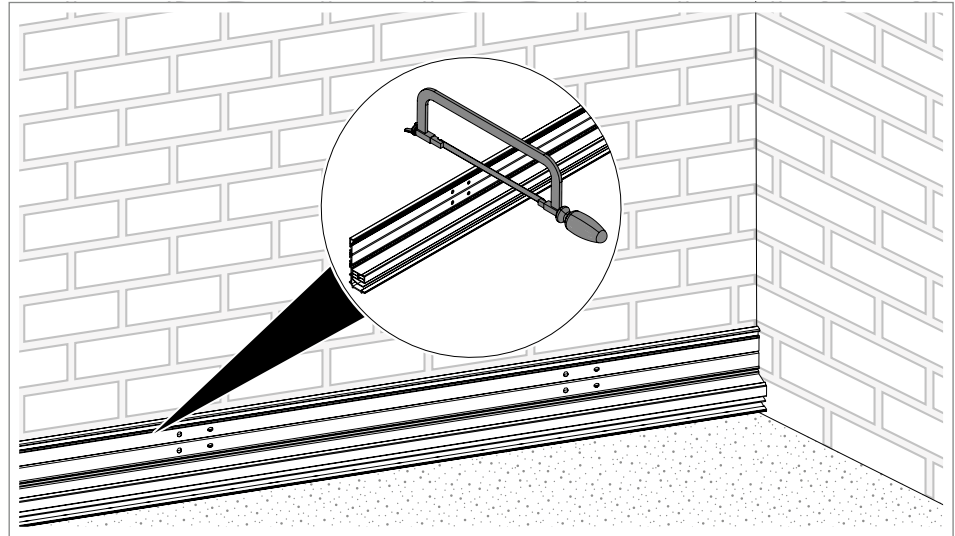
4	Device tank/support		Device tank for mounting devices of support clamp design (according to DIN 49075) for the Rauduo skirting trunking. Universally equippable.
5	Heating pipe support		Heating pipe support to guide a universal pipe in the Rauduo skirting trunking.
6	Insulating foam		Insulating foam for the Rauduo skirting trunking.
7	Internal corner		Internal corner for changing direction of the Rauduo skirting trunking.
8	Cover		Cover for closing the Rauduo skirting trunking.
9	External corner		External corner for changing direction of the Rauduo skirting trunking.
10	End piece, right		End piece for closing the trunking ends of the Rauduo skirting trunking.

**Tab. 1:** Overview, Rauduo skirting trunking

The base perforation of the Rauduo skirting trunking means that it is suitable for direct wall mounting. The polyvinyl chloride (PVC) system is available in the colours pure white and cream white and with the dimensions 40 x 105 mm. The supply length of the trunking bases is 2 m.

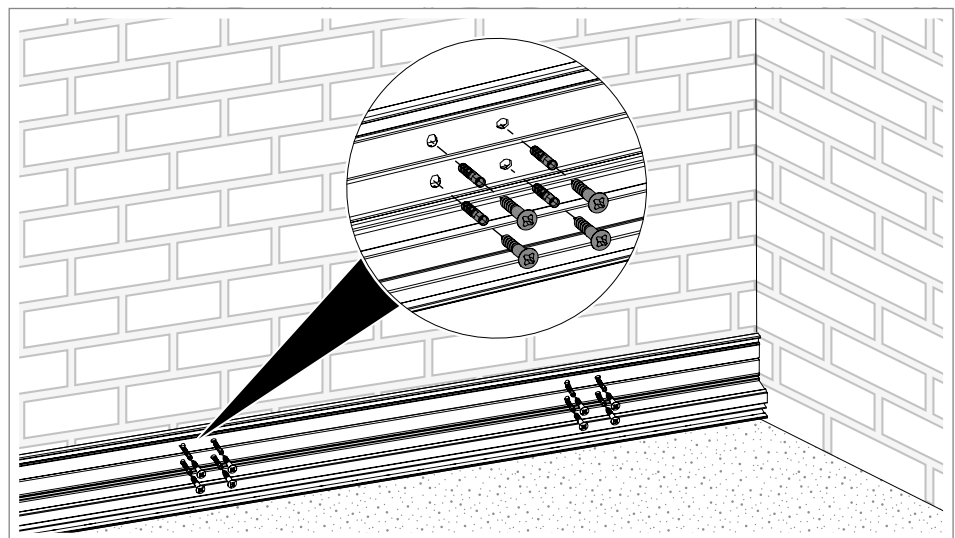
## 6 Mounting the Rauduo skirting trunking

### 6.1 Mounting the trunking base



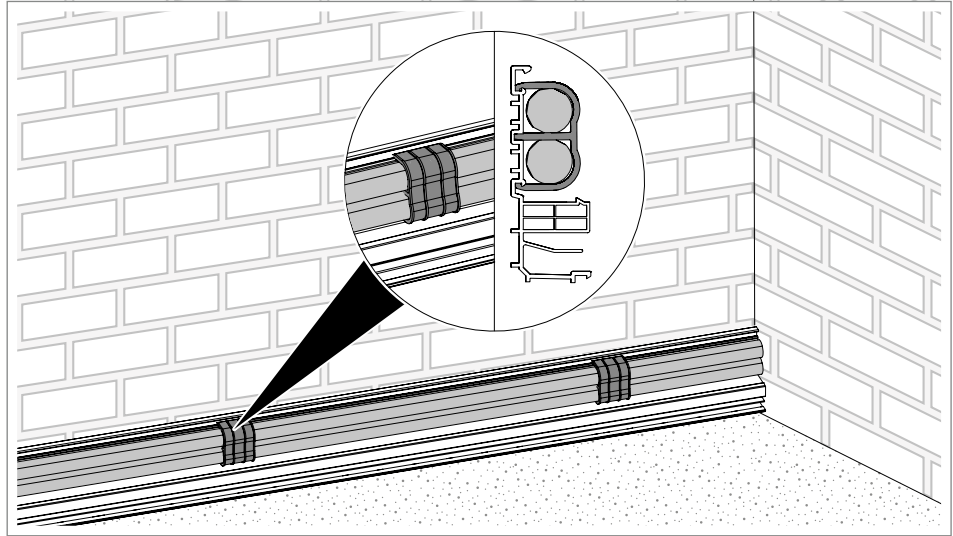
**Fig. 2:** Cutting the Rauduo skirting trunking

1. Adjust the trunking base ② to the desired length using a suitable tool (e.g. saw).



**Fig. 3:** Screwing the trunking base tight

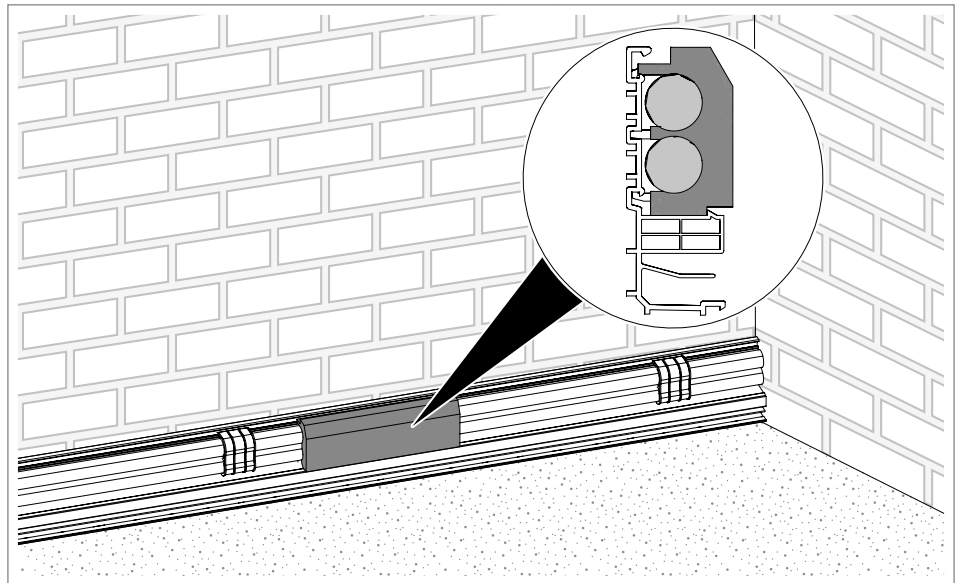
2. Fasten the trunking base ② to the wall in the slots using suitable fastening materials (e.g. screw and anchor).



**Fig. 4:** Mounting the heating system

3. Engage the heating pipes with the heating pipe support **5** on the trunking base **2**.

### 6.1.1 Mounting the device support/box



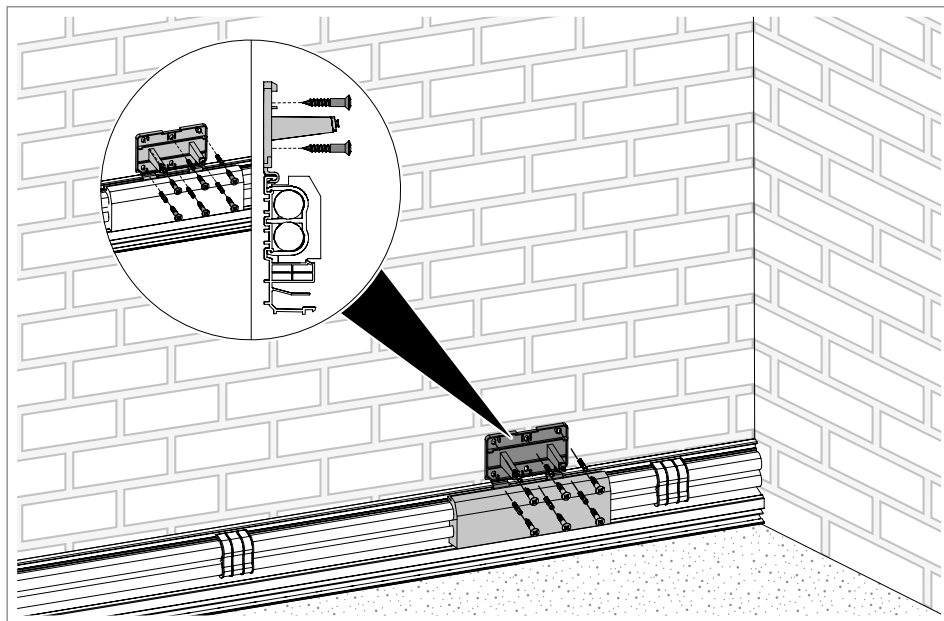
**Fig. 5:** Mounting the insulating foam



#### **Risk of overheating!**

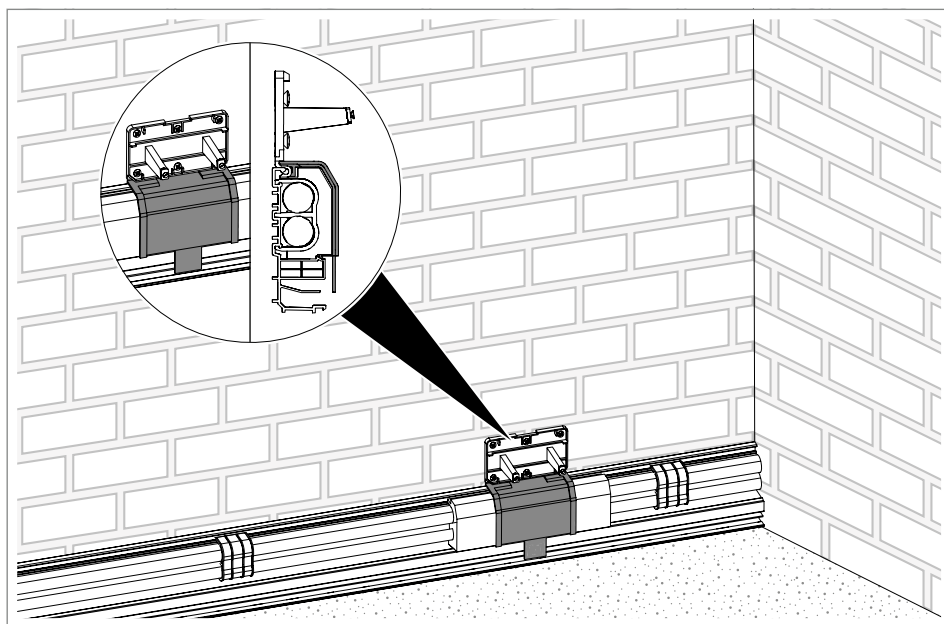
At a heating system flow temperature of above 70 °C, use the insulating foam (item no. 6132175).

1. Apply the insulating foam **5** to the heating system.



**Fig. 6:** Mounting the device tank

2. Apply the device tank ④ centrally to the insulation.
3. Fasten the device tank ④.

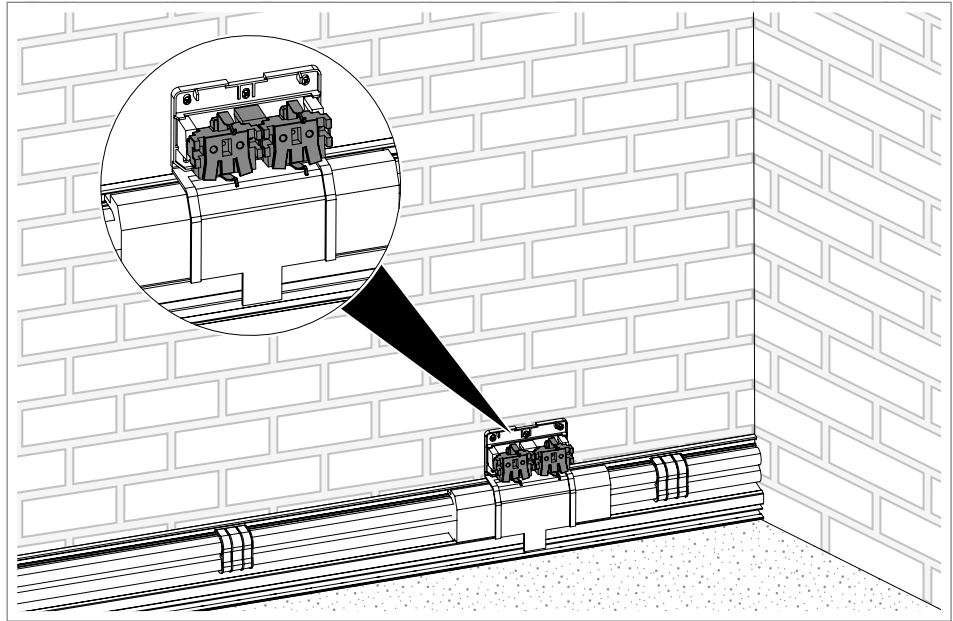


**Fig. 7:** Mounting the potential separation plate

**Note!**

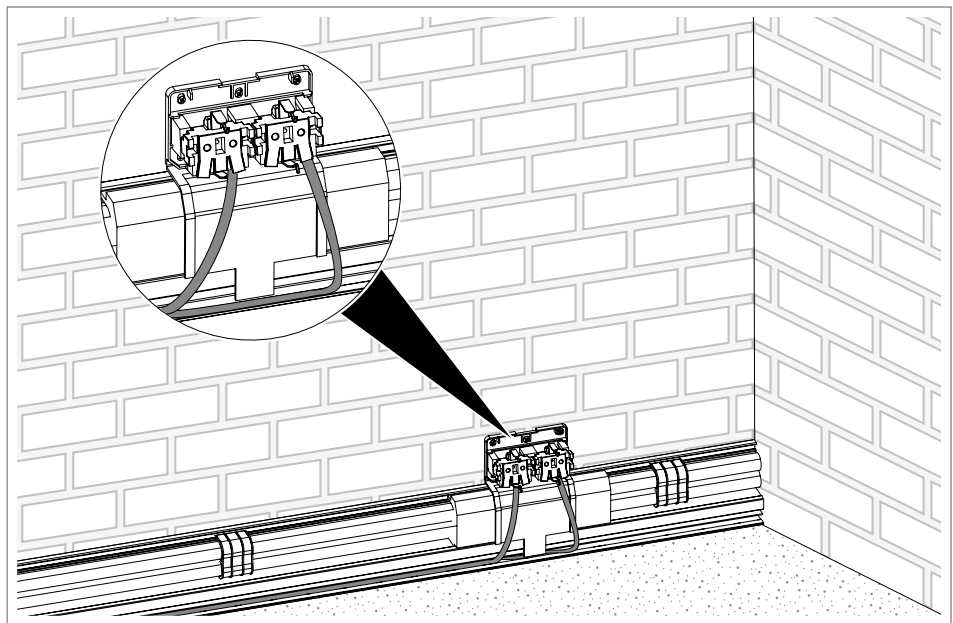
*The insulating foam must protrude evenly on the left and the right.*

4. Engage the potential separation plate ④ in the trunking base ①.



**Fig. 8:** Mounting sockets

5. Mount the sockets on the device support ④.



**Fig. 9:** Insert cables

6. Insert the cable separately in the chambers of trunking base ①.
7. Connect the sockets or other connection devices.

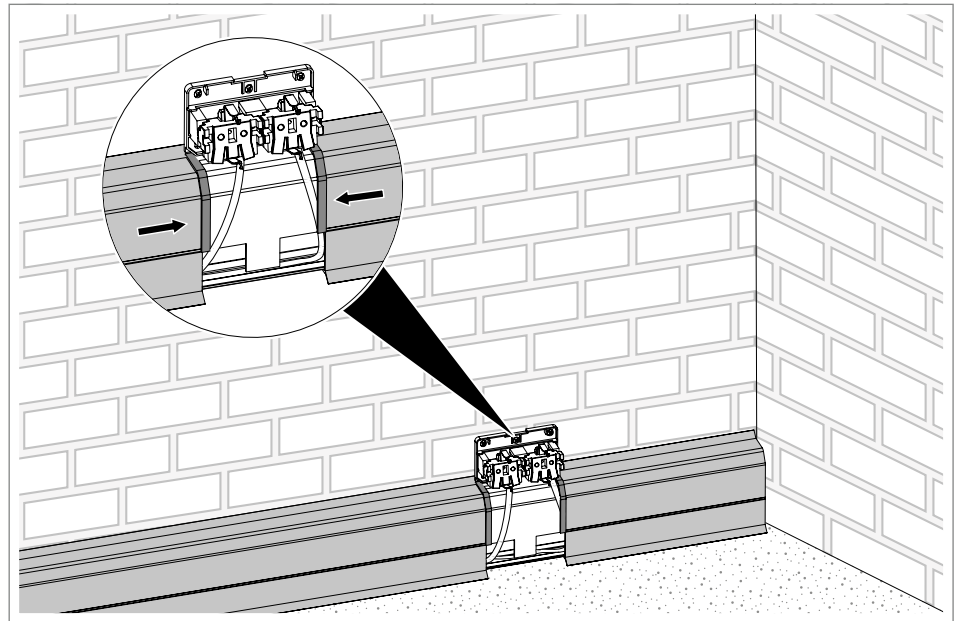


Fig. 10: Mounting covers

- Engage the covers 9 in the trunking base 1. Here, the covers abut the grooves of potential separation plate on the left and right.

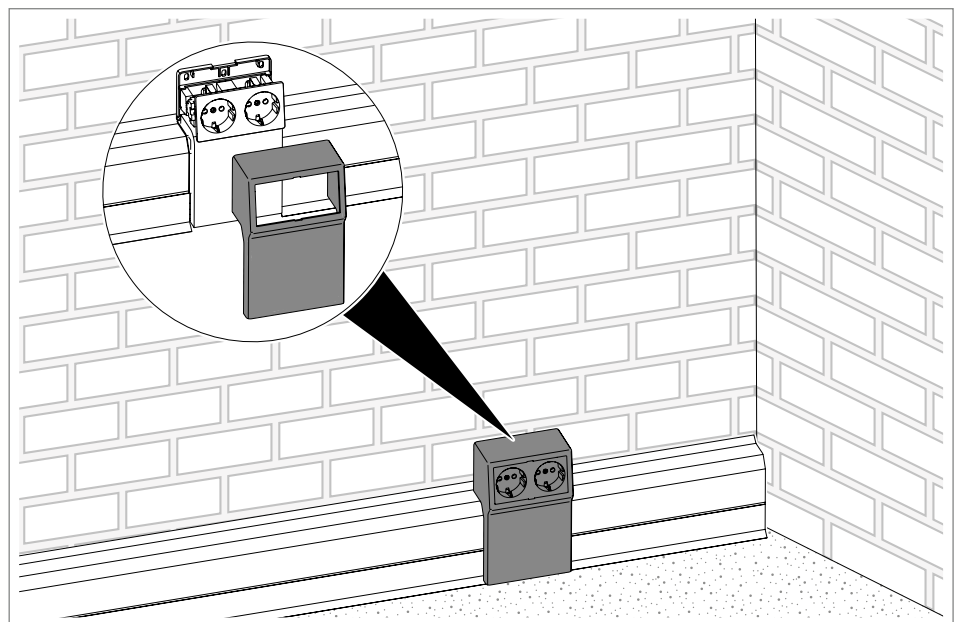


Fig. 11: Mounting the screen

- Close the device support 4 with the screen.

## 7 Disposing of the Rauduo skirting trunking



- Plastic parts as domestic waste.
- Metallic parts as scrap metal.

- Comply with the local waste disposal regulations.
- Sockets as electronic waste

## 8 Technical data

### 8.1 Trunking base

Type	Item no.	Dimensions (H x W x L)	Material
RD 40105 natural	6132205	38 x 103.4 x 2,000 mm	Polyvinyl chloride

Tab. 2: Technical data: Trunking base

### 8.2 Fittings

Type	Item no.	Dimensions (H x W x L)	Material
RD AE40105 rws	6132165	75 x 75 x 107 mm	Polyvinyl chloride
RD AE40105 cws	6132166	75 x 75 x 107 mm	Polyvinyl chloride
RD IE40105 rws	6132280	75 x 75 x 107 mm	Polyvinyl chloride
RD IE40105 cws	6132164	75 x 75 x 107 mm	Polyvinyl chloride
RD ESL40105 rws	6132168	42 x 106 x 19 mm	Polyvinyl chloride
RD ESL40105 cws	6132169	42 x 106 x 19 mm	Polyvinyl chloride
RD ESR40105 rws	6132285	42 x 106 x 19 mm	Polyvinyl chloride
RD ESR40105 cws	6132167	42 x 106 x 19 mm	Polyvinyl chloride

Tab. 3: Technical data: Fittings

### 8.3 Accessories

Type	Item no.	Dimensions (H x W x L)	Material
RD OT40105 rws	6132160	40 x 105.3 x 2,000 mm	Polyvinyl chloride
RD OT40105 cws	6132161	40 x 105.3 x 2,000 mm	Polyvinyl chloride
RDL OT40105 rws	6132264	40 x 118 x 200 mm	Polyvinyl chloride
RDL OT40105 cws	6132190	40 x 118 x 200 mm	Polyvinyl chloride
RD DUO HRT 2 20	6132170	40 x 32 x 52 mm	Polyvinyl chloride
RD 2GT40105 rws	6132171	175 x 112 x 62 mm	Polyvinyl chloride
RD 2GT40105 cws	6132172	175 x 112 x 62 mm	Polyvinyl chloride
RD 2GTK40105 rws	6132304	175 x 112 x 62 mm	Polyvinyl chloride
RD GT40105 rws	6132173	175 x 112 x 62 mm	Polyvinyl chloride
RD GT40105 cws	6132174	175 x 112 x 62 mm	Polyvinyl chloride
RD DUO ISO	6132175	38 x 66 x 200 mm	Polyvinyl chloride
RD KUP40105 rws	6132176	42 x 42 x 107 mm	Polyvinyl chloride
RD KUP40105 cws	6132177	42 x 42 x 107 mm	Polyvinyl chloride

Tab. 4: Technical data: Accessories

**OBO Bettermann Holding GmbH & Co. KG**

P.O. Box 1120  
58694 Menden  
GERMANY

**Customer Service Germany**

Tel.: +49 (0)2373 89-1300

[toi@obo.de](mailto:toi@obo.de)

[www.obo-bettermann.com](http://www.obo-bettermann.com)

230058.01 Date 07/2023

---

**Building Connections**

