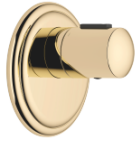


MADISON xTOOL Concealed thermostat without volume control 3/4" - Durabrace (23kt Gold)

MADISON

36 503 977 Product version up to 1/1/2022



- cover plate Ø 124 mm
- temperature control handle with safety limit stop at 38°C
- thermostat cartridge
- WRAS

	Durabrace (23kt Gold)	36 503 977-09
	Chrome	36 503 977-00
	Brushed Platinum	36 503 977-06
	Platinum	36 503 977-08
	Brushed Durabrace (23kt Gold)	36 503 977-28
	Brushed Gold (PVD)	36 503 977-37
	Brushed Dark Brass (PVD)	36 503 977-39
	Brushed Bronze (PVD)	36 503 977-42
	Brushed Dark Platinum	36 503 977-99

Required miscellaneous

xGRID Installation track 555 mm - 12 360 970 90



Recommended miscellaneous

xGRID Attachment set for integrating in the dry wall construction - 12 340 970 90



Required miscellaneous

xTOOL Concealed thermostat module without volume control - 35 503 970 90

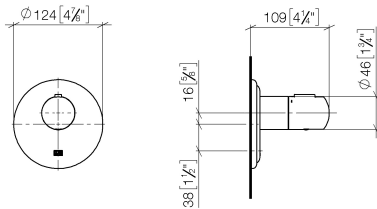
- min. recess depth 85 mm
- max. recess depth 110 mm



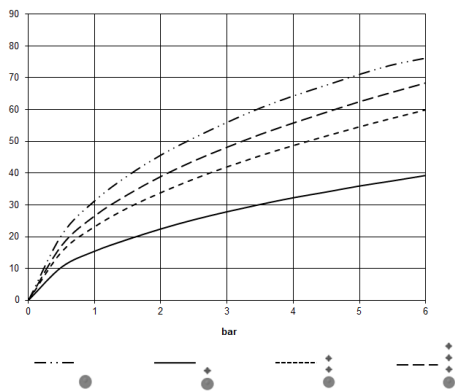
MADISON xTOOL Concealed thermostat without volume control 3/4" - Durabron (23kt Gold)

MADISON

36 503 977 Product version up to 1/1/2022
mm [inches]



Flow rate chart



Codes & Standards

DIN 4109	EN 1111	ISO 3822	Scottish Water Byelaws
UK Water Supply Regulations	Ü-Zeichen		



MADISON xTOOL Concealed thermostat without volume control 3/4" -
Durabron (23kt Gold)

MADISON

36 503 977 Product version up to 1/1/2022

Certificates and sustainability

WRAS_2011

DVGW_DW-
6512DN0

LGA_29

LGA_29

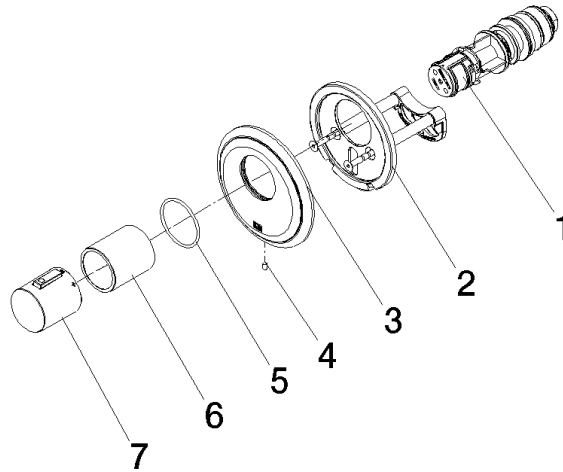
LGA_29

EPD-DOR-20230287

-IBA1-EN

Environmental.prod

uct-declarat



Spare parts list

No.	Item Number	Name	Quantity used	Delivery time
4	09 31 11 048 90	Mounting Threaded pin with hexagon socket with point M4 x 8 mm -	1.00	14
3	09 11 02 543-09	cover	1.00	54
6	90 21 02 112 00-09	Sleeve - Durabrace (23kt Gold)	1.00	54
2	90 11 01 196 00 90	Retainer -	1.00	14
5	90 14 10 049 00 90	O-Ring 45,69 x 2,62 mm -	1.00	14
1	90 15 02 063 00 90	Thermostat cartridge with control unit Ø 44 x 147 mm -	1.00	14
7	90 17 33 005 01-09	Handle complete for thermostat - Durabrace (23kt Gold)	1.00	54