

TARA Showerpipe with shower mixer without hand shower FlowReduce 220 mm - Matte Black

TARA

26 632 892 Product version from 4/1/2024



- rain shower Ø 220 mm
- Rain shower material: metal
- overhead shower: rain flow
- max. rainshower flow 7 l/min
- Function from: 4 l/min
- rain shower with anti-scale system

Control element:

- rotary diverter for fixed-riser shower/hand shower
- slide-on rosettes Ø 57 mm
- 1500 mm metal shower hose

Technical data:

- shower with fixed riser projection 420mm
- height of fittings up to rain shower (bottom edge) 1007mm
- height of fittings up to top edge of elbow 1167mm
- rosette for wall mounting Ø 57mm
- rosette for shower mixer Ø 65mm
- rosette for shower holder Ø 55mm
- Pipe diameter 20 mm
- gauge 150 mm - 13 mm
- 1/2" connection

Notes:

- This article does not include a hand shower!
- inherently safe from back flow
- This product can help a building meet the requirements of Green Building Rating Systems, e.g. LEED®, BREEAM®, DGNB


	Matte Black	26 632 892-33
	Chrome	26 632 892-00
	Brushed Platinum	26 632 892-06
	Platinum	26 632 892-08
	Dark Chrome	26 632 892-19
	Brushed Durabronze (23kt Gold)	26 632 892-28
	Brushed Gold (PVD)	26 632 892-37
	Brushed Dark Brass (PVD)	26 632 892-39
	Brushed Bronze (PVD)	26 632 892-42
	Brushed Dark Bronze (PVD)	26 632 892-43
	Brushed Champagne (22kt Gold)	26 632 892-46
	Champagne (22kt Gold)	26 632 892-47
	Brushed Chrome	26 632 892-93
	Brushed Dark Platinum	26 632 892-99

TARA Showerpipe with shower mixer without hand shower FlowReduce 220 mm - Matte Black

TARA

26 632 892 Product version from 4/1/2024


Required miscellaneous

	Hand shower FlowReduce 120 mm - Matte Black	28 012 979-33 0010
---	--	-----------------------


Required miscellaneous

	SERIES-VARIOUS Hand shower FlowReduce - Matte Black	28 025 979-33 0010
---	--	-----------------------

Required miscellaneous

	Hand shower 100 mm - Matte Black	28 018 979-33
---	---	---------------


Required miscellaneous

	Hand shower FlowReduce 100 mm - Matte Black	28 018 979-33 0010
---	--	-----------------------

Required miscellaneous

	Hand shower - Matte Black	28 015 979-33
---	----------------------------------	---------------

Required miscellaneous

	Hand shower FlowReduce 130 mm - Matte Black	28 016 979-33 0010
---	--	-----------------------


Required miscellaneous

	Hand shower - Matte Black	28 017 979-33
---	----------------------------------	---------------

Required miscellaneous

	SERIES-VARIOUS Hand shower FlowReduce - Matte Black	28 027 979-33 0010
---	--	-----------------------


Required miscellaneous

	Hand shower 130 mm - Matte Black	28 016 979-33
---	---	---------------

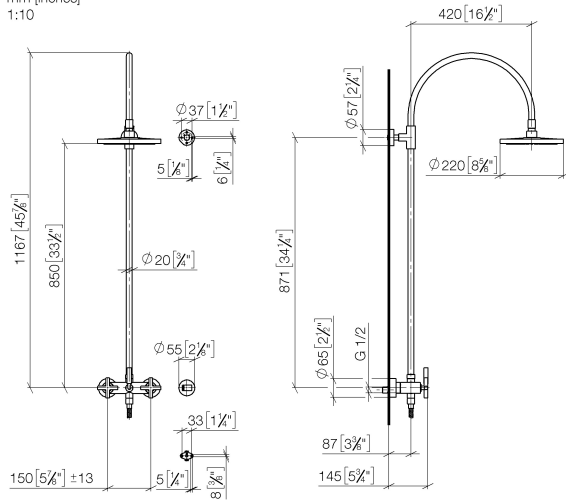
Required miscellaneous

	SERIES-VARIOUS Hand shower FlowReduce - Matte Black	28 029 979-33 0010
---	--	-----------------------

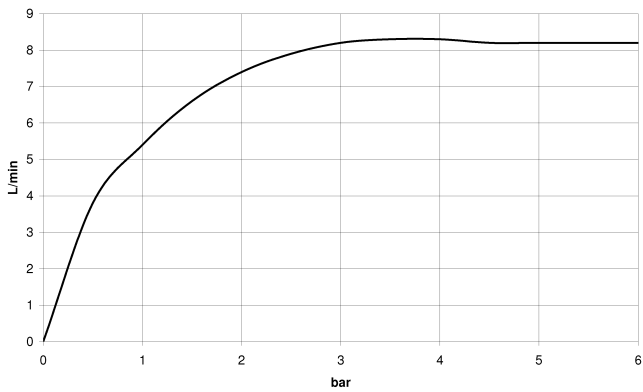
Required miscellaneous

	Hand shower 120 mm - Matte Black	28 012 979-33
---	---	---------------

26 632 892 Product version from 4/1/2024
mm [inches]
1:10



Flow rate chart



Codes & Standards

DIN 4109

EN 1717

ISO 3822

Scottish Water
Byelaws

UK Water Supply
Regulations

Ü-Zeichen



TARA Showerpipe with shower mixer without hand shower FlowReduce 220
mm - Matte Black

TARA

26 632 892 Product version from 4/1/2024

Certificates and sustainability

Belgaqua_21-023-2 WRAS_2204

LGA_38

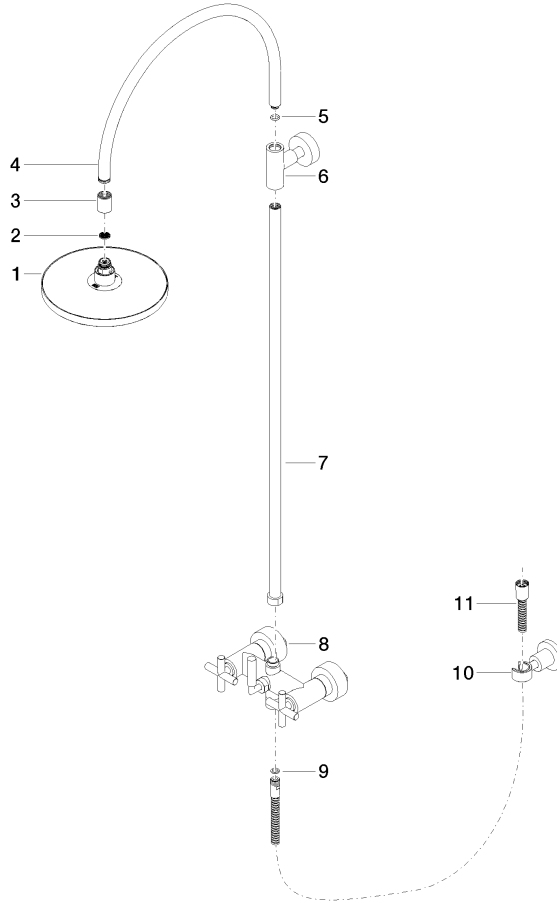
EPD-DOR-20230287 Belgaqua_25-345-2
-IBA1-EN
Environmental.prod
uct-declarat

TARA Showerpipe with shower mixer without hand shower FlowReduce 220 mm - Matte Black

TARA

26 632 892 Product version from 4/1/2024

Parts for other finishes can be found here: [Chrome](#)



Spare parts list

No.	Item Number	Name	Quantity used	Delivery time
3	09 24 03 177 20-33	Connection Adapter for rain shower Ø 25 x 30 mm - Matte Black	1.00	40
8	04 17 10 020 01-33	Connection for bath wall-mounting 200 x 215 x 140 mm - Matte Black	1.00	40
9	90 14 20 026 00 90	Washer 14 x 8 x 2 mm Centellen WS 3820 -	1.00	14
2	09 23 01 039 90	Sieve seal Ø 19 x 5,5 mm -	1.00	14
11	28 304 970-33	Metal shower hose 1/2" x 3/8" x 1500 mm - Matte Black	1.00	40
10	28 050 892-33	TARA Wall bracket - Matte Black	1.00	20
5	90 14 10 011 00 90	O-Ring EPDM 70 11,0 x 2,5 mm -	1.00	14
7	90 28 22 096 00-33	Pipe 830 mm - Matte Black	1.00	40
1	90 12 05 092 20-33	Rainshower round Ø 220 mm - Matte Black	1.00	40
4	04 28 22 097 20-33	Spout 297 x 447 x 29 mm - Matte Black	1.00	40
6	90 17 11 037 00-33	Mounting for spray deck mounting T-piece - Matte Black	1.00	-

Spare part can no longer be ordered, please order the replacement item