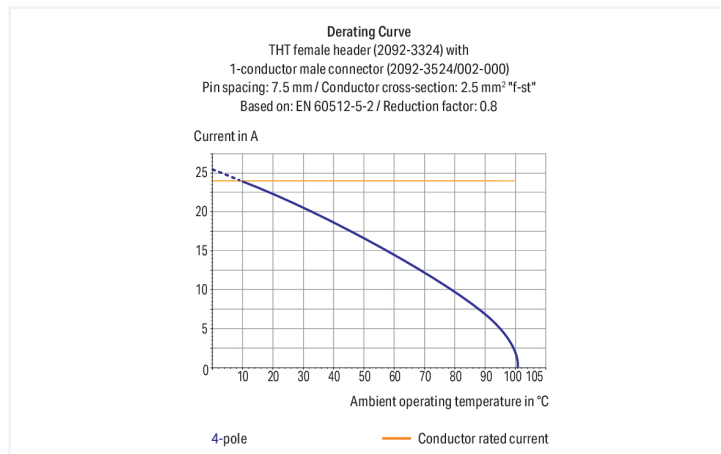


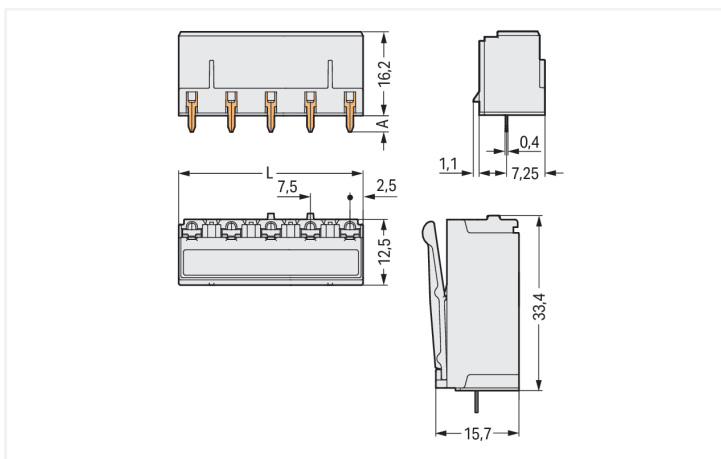
Data Sheet | Item Number: 2092-3305/200-000

THR female header; straight; Pin spacing 7.5 mm; 5-pole; 0.4 x 1.3 mm solder pin;
light gray

<https://www.wago.com/2092-3305/200-000>



Color: ■ light gray



Dimensions in mm

$L = (\text{pole no.} - 1) \times \text{pin spacing} + 5 \text{ mm}$
 $A = 3.6 \text{ mm THT solder pin}$
 $A = 2.4 \text{ mm THR solder pin}$

Female connector, 2092 Series, light gray

This female connector (item number 2092-3305/200-000) provides hassle-free electrical installations. The dimensions are (35 x 18.6 x 13.6) mm (width x height x depth).

The contact surface is coated with tin. The pcb connector is designed for THR soldering.

Notes

Safety Information

The **picoMAX® Pluggable Connection System** includes connectors without breaking capacity in accordance with DIN EN 61984. When used as intended, these connectors must not be connected/disconnected when live or under load. When used as intended, these connectors must not be connected/disconnected when live or under load. The circuit design should ensure header pins, which can be touched, are not live when un-mated.

Electrical data

Ratings per	IEC/EN 60664-1			Approvals per	UL 1059		
Overvoltage category	III	III	II	Use group	B	C	D
Pollution degree	3	2	2	Rated voltage	300 V	-	300 V
Nominal voltage	400 V	630 V	1000 V	Rated current	15 A	-	10 A
Rated impulse withstand voltage	6 kV	6 kV	6 kV				
Rated current	16 A	16 A	16 A				

Connection Data

Clamping units	5	Connection 1 Pole number 5
Total number of potentials	5	
Number of connection types	1	
Number of levels	1	

Physical data

Pin spacing	7.5 mm / 0.295 inches
Width	35 mm / 1.378 inches
Height	18.6 mm / 0.732 inches
Height from the surface	16.2 mm / 0.638 inches
Depth	13.6 mm / 0.535 inches
Solder pin length	2.4 mm
Solder pin dimensions	0.4 x 1.3 mm
Plated through-hole diameter (THR)	1.5 ^(+0.1) mm

Mechanical data

Variable coding	Yes
Anti-rotation protection	Yes

Plug-in connection

Contact type (pluggable connector)	Female connector/socket
Connector (connection type)	for PCB
Mismating protection	No
Plugging without loss of pin spacing	Yes
Mating direction to the PCB	90 °

PCB contact

PCB contact	THR
-------------	-----

Material data

Note (material data)	Information on material specifications can be found here
Color	light gray
Material group	I
Insulation material (main housing)	Polyphthalamide (PPA GF)
Flammability class per UL94	V0
Contact material	Copper alloy
Contact Plating	Tin
Fire load	0.156 MJ
Weight	6 g
MSL per J-STD 020D	1

Environmental requirements

Limit temperature range	-60 ... +100 °C
Processing temperature	-35 ... +60 °C

Commercial data

PU (SPU)	100 pcs
Packaging type	Box
Country of origin	DE
GTIN	4050821396420
Customs tariff number	85366990990

Product Classification

UNSPSC	39121409
eCl@ss 10.0	27-44-04-02
eCl@ss 9.0	27-44-04-02
ETIM 9.0	EC002637
ETIM 10.0	EC002637
ECCN	NO US CLASSIFICATION

Environmental Product Compliance

RoHS Compliance Status	Compliant, No Exemption
------------------------	-------------------------

Approvals / Certificates

General approvals



General approvals

UL Underwriters Laboratories Inc.	UL 1977	E45171
---	---------	--------

Approval	Standard	Certificate Name
CB DEKRA Certification B.V.	IEC 61984	NL-89885
CSA CSA Group	C22.2	2362521
cURus Underwriters Laboratories Inc.	UL 1059	E45172
KEMA/KEUR DEKRA Certification B.V.	EN 61984	71-129874

Downloads

Environmental Product Compliance

Compliance Search

Environmental Product Compliance
2092-3305/200-000



Documentation

Additional Information

Technical Section

03.04.2019

pdf

2027.26 KB



pdf

611.20 KB



CAD/CAE-Data

CAD data

2D/3D Models
2092-3305/200-000



CAE data

ZUKEN Portal
2092-3305/200-000



PCB Design

Symbol and Footprint
via SamacSys
2092-3305/200-000



Symbol and Footprint
via Ultra Librarian
2092-3305/200-000



1 Compatible Products

1.1 System counterpart

1.1.1 Male connector/plug



Item No.: [2092-3505/002-000](#)

1-conductor male connector; Push-in CA-GE CLAMP®; 2.5 mm²; Pin spacing 7.5 mm; 5-pole; Gripping plate; 2,50 mm²; light gray

1.2 Optional Accessories

1.2.1 Coding

1.2.1.1 Coding



Item No.: [2092-1610](#)

Coding key carrier; orange