

START Downlight Eco 95 640lm 830

Item No: 0053910

SYLVANIA

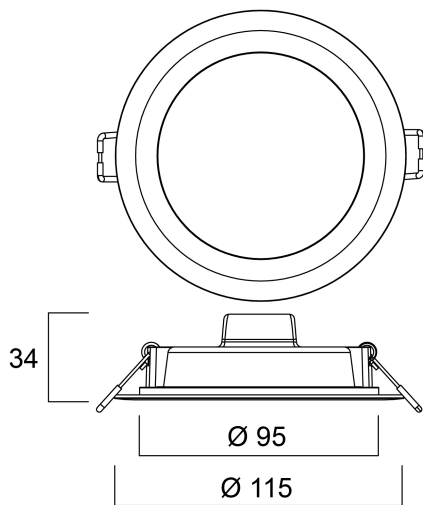
START



START Downlight Eco is an integrated LED recessed downlight with built-in non dimmable driver; Loop in loop out connector allows for quick installation; 8W; 640Lm; 80Lm/W; 3000K.

Technical Assets

Dimensions (mm)

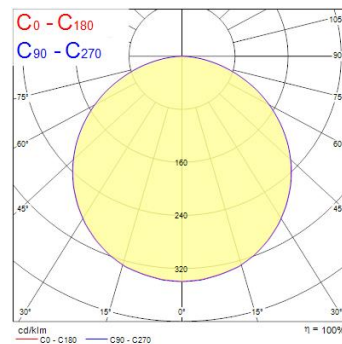


Photometrics

Distance [m]	Cone diameter [m]	Beam diameter [m]	Beam angle [°]	Illuminance [lx]
0.5	1.56	0.78	77.3°	892
	1.56	0.78	87.4°	71
1.0	3.12	1.56	77.3°	223
	3.12	1.56	87.4°	17
1.5	4.67	2.34	77.3°	99
	4.67	2.34	87.4°	8
2.0	6.23	3.12	77.3°	56
	6.23	3.12	87.4°	4
2.5	7.79	3.90	77.3°	36
	7.79	3.90	87.4°	3
3.0	9.35	4.68	77.3°	25
	9.35	4.68	87.4°	2

Distance [m] Cone diameter [m] Illuminance [lx]

— C0 - C180 (Half beam angle: 114.8°)
— C90 - C270 (Half beam angle: 114.8°)



START Downlight Eco 95 640lm 830

Item No: 0053910

SYLVANIA

General data

Product name	START Downlight Eco 95 640lm 830
Technology	LED
Cap/Base	N/A
Housing	PC Polycarbonate
Mount	Ceiling recessed mounting
General application	Retail
Operating temperature range (°C)	-20°C...+40°C
Performance ambient temperature Tq (°C)	25
ETIM Class	EC001744
Warranty	3 years

Optical data

Useful luminous flux (Φuse)	640
Fixture luminous flux (lm)	640
Luminaire efficacy (lm/W)	80
Correlated colour temperature (k)	3000
Light colour	Warm White
CRI (Ra)	80
Colour Variation Initial (SDCM)	SDCM6
Beam Angle (°)	110
Distribution type	Symmetric
Glare control	< 28
Photobiological Risk Group	RG0

Electrical data

Total power consumption (W)	8
Primary Supply/Product voltage - min (V)	220
Primary Supply/Product voltage - max (V)	240
Lamp power factor	0.5
THD (at 230 V, 50 Hz, full load, at 100% dimming level) ≤ xx.x %	115.0
Electrical protection	Class II
Control gear required	No
Dimmable	No
Dimming method	N/A
Drive current (mA)	58
Inrush Current (A)	7
Inrush Duration (µs)	160
Energy Efficiency Class (A->G) of contained light source	F
Nominal Frequency (Hz)	50/60Hz
LED Flickering Rate	Medium (21% - 40%)
Max. products per 10A C Breaker	140
Max. products per 13A C Breaker	183
Max. products per 16A C Breaker	226
Max. products per 20A C Breaker	283
Max. products per 10A B Breaker	83
Max. products per 13A B Breaker	109
Max. products per 16A B Breaker	135
Max. products per 20A B Breaker	169

Lifetime data

Lifespan L70 B50 | 30000

START Downlight Eco 95 640lm 830

Item No: 0053910

SYLVANIA

Physical data

Housing colour	RAL 9003 - Signal white
IP rating	IP20
IK rating	IK02
Diffuser finish	Opal
Diffuser material	PC Polycarbonate
Nominal Product Height (mm)	34
Nominal Product Diameter (mm)	115
Weight (kg)	0.08

Packaging

Product EAN number	5410288539102
Packaging single length / height (cm)	11.7
Packaging single width (cm)	4.0
Packaging single depth (cm)	13.0
DUN14 (inner)	15410288539109
Units per outer package	50
Packaging outer length / height (cm)	60.0
Packaging outer width (cm)	27.5
Packaging outer depth (cm)	22.0

Safety data

Glow Wire Test (°C)	650
Optimal operating condition (°C)	-20-40