

36 120 670 Product version up to 3/15/2019



- automatic diverter
- cover plate 150 x 90 mm
- WRAS

	Brushed Dark Platinum	36 120 670-99
	Chrome	36 120 670-00
	Brushed Platinum	36 120 670-06
	Platinum	36 120 670-08
	Dark Chrome	36 120 670-19
	Brushed Light Gold (PVD)	36 120 670-27
	Brushed Durabronze (23kt Gold)	36 120 670-28
	Matte Black	36 120 670-33
	Brushed Gold (PVD)	36 120 670-37
	Brushed Dark Brass (PVD)	36 120 670-39
	Brushed Bronze (PVD)	36 120 670-42
	Brushed Dark Bronze (PVD)	36 120 670-43
	Brushed Champagne (22kt Gold)	36 120 670-46
	Champagne (22kt Gold)	36 120 670-47
	Brushed Chrome	36 120 670-93

Recommended miscellaneous



xGRID Attachment set for integrating in the dry wall construction - 12 340 970 90

Required miscellaneous



xGRID Installation track 555 mm - 12 360 970 90

Required miscellaneous



Concealed single-lever mixer - 35 020 970 90
 •min. recess depth 80 mm
 •max. recess depth 105 mm

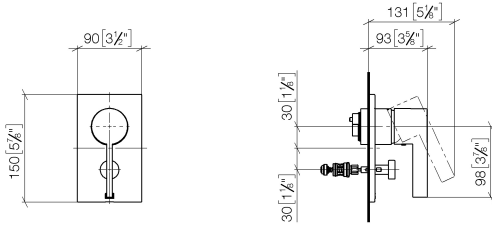
Required miscellaneous



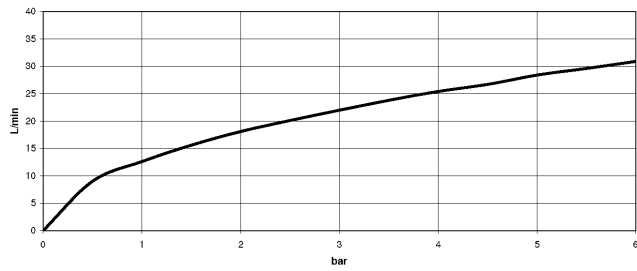
Concealed single-lever mixer with backflow preventor - 35 021 970 90
 •min. recess depth 80 mm
 •max. recess depth 105 mm

36 120 670 Product version up to 3/15/2019

mm [inches]



Flow rate chart



Codes & Standards

DIN 4109

ISO 3822

Scottish Water
Byelaws

UK Water Supply
Regulations

Ü-Zeichen



Concealed single-lever mixer with diverter - Brushed Dark Platinum

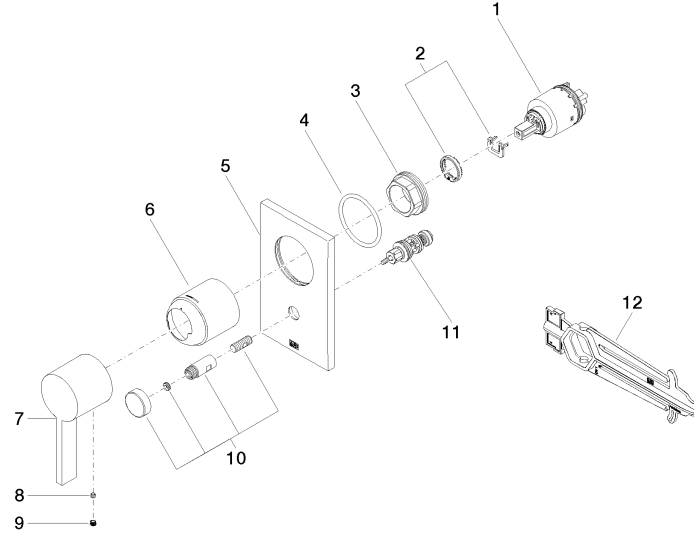
SERIES SPECIFIC

36 120 670 Product version up to 3/15/2019

Certificates and sustainability

LGA_19

WRAS_2207



Spare parts list

No.	Item Number	Name	Quantity used	Delivery time
	5 09 11 02 258-99	Rosette for bath 90 x 150 x 9,2 mm - Brushed Dark Platinum	1.00	54
	9 90 31 20 109 00 90	Plug -	1.00	14
	7 09 20 67 007-99	Handle Lever 50 x 125 x 46 mm - Brushed Dark Platinum	1.00	54
	1 90 15 05 038 00 90	Single-lever mixer cartridge -	1.00	-
Spare part can no longer be ordered, please order the replacement item				
	9015050390090	Cartridge blue incl. installation spanner Ø 40 x 75 mm -		
	8 09 31 11 099 90	Mounting Threaded pin with hexagon socket with chamfered end M4 x 4 -	1.00	14
	10 90 31 09 139 00-99	Pull rod for diverter with button Ø 26 x 47,3 mm - Brushed Dark Platinum	1.00	54
	3 09 24 04 448 90	Mounting Nut Ø 42 x 17 mm -	1.00	14
	11 90 21 34 081 00 90	Diverter 98 x 64 x 64 mm -	1.00	14
	4 09 14 10 084 90	O-Ring EPDM 70 48 x 3,5 mm -	1.00	14
	2 04 28 10 149 00 90	Single-lever mixer cartridge -	1.00	14
	12 90 30 09 064 00 90	Spanner for cartridge nut -	1.00	14
	6 09 11 02 260-99	Cover Ø 50 x 58 mm - Brushed Dark Platinum	1.00	54