

## Data Sheet | Item Number: 826-170

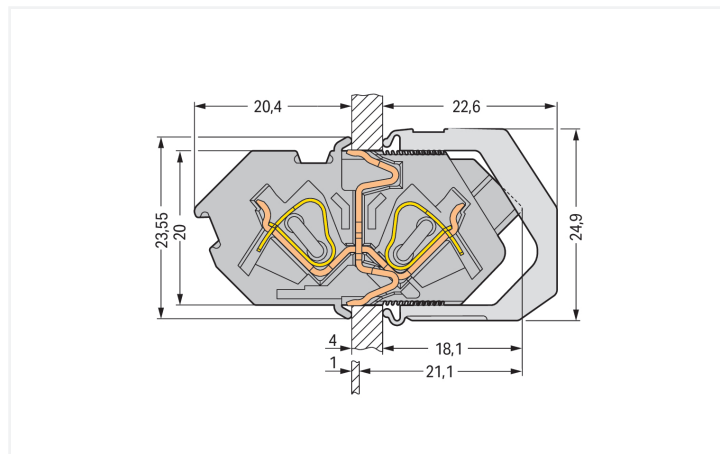
Feedthrough terminal block; Conductor/conductor connection; Plate thickness: 1 ...  
4 mm; 4 mm<sup>2</sup>; Pin spacing 7 mm; 10-pole; CAGE CLAMP®; 4,00 mm<sup>2</sup>; gray

<https://www.wago.com/826-170>



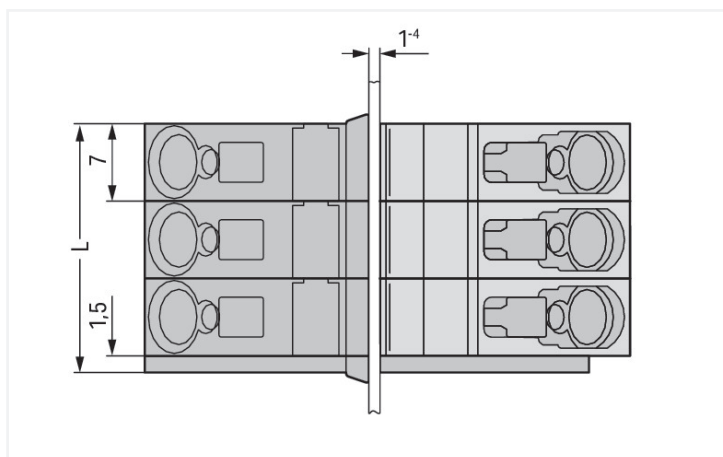
Color: ■ gray

Similar to illustration



Dimensions in mm

Cut-out dimensions: H = 20.1+0.1 mm; L = (pole no. x 7 mm) + 1.6+0.1 mm



Dimensions in mm

L = (pole no. x 7 mm) + 1.6 mm

### Feedthrough terminal block, 826 Series, CAGE CLAMP®

Feedthrough terminal block (item number 826-170) provides fault-free electrical installations. Ensure that the strip lengths are between 9 and 10 mm when connecting conductors to feedthrough terminal block. Featuring two conductor terminals along with CAGE CLAMP®, this connector delivers reliable performance. Our CAGE CLAMP® connection provides a safe and maintenance-free way to connect all types of conductors. You do not need to prepare the conductor in any way, such as crimping ferrules. The item's dimensions are (71.5 x 23.55 x 42.5) mm (width x height x depth). Depending on the type of conductor, feedthrough terminal block is suitable for conductor cross sections ranging from 0.08 mm<sup>2</sup> to 4 mm<sup>2</sup>.

The contact surface is coated with tin.

## Notes

|           |  |
|-----------|--|
| Variants: | Other pole numbers<br>Other colors<br>Direct marking<br>Other versions (or variants) can be requested from WAGO Sales or configured at <a href="https://configurator.wago.com/">https://configurator.wago.com/</a> . |
|-----------|--|

## Electrical data

| Ratings per                     | IEC/EN 60664-1 |       |       |
|---------------------------------|----------------|-------|-------|
| Overvoltage category            | III            | III   | II    |
| Pollution degree                | 3              | 2     | 2     |
| Nominal voltage                 | 320 V          | 320 V | 630 V |
| Rated impulse withstand voltage | 4 kV           | 4 kV  | 4 kV  |
| Rated current                   | 32 A           | 32 A  | 32 A  |

## Ratings per IEC/EN – Notes

|                |  |
|----------------|--|
| Ratings (note) | Suitable for neutral-grounded, three-phase, 4-wire systems rated at 400 V (conductor-to-conductor) per IEC/EN 60664-1. |
|----------------|--|

| Approvals per | UL 1059 |       |       |
|---------------|---------|-------|-------|
| Use group     | B       | C     | D     |
| Rated voltage | 300 V   | 150 V | 300 V |
| Rated current | 20 A    | 20 A  | 10 A  |

| Approvals per | CSA   |       |       |
|---------------|-------|-------|-------|
| Use group     | B     | C     | D     |
| Rated voltage | 300 V | 150 V | 300 V |
| Rated current | 20 A  | 20 A  | 10 A  |

## Connection Data

|                            |    |
|----------------------------|----|
| Clamping units             | 20 |
| Total number of potentials | 10 |
| Number of connection types | 2  |
| Number of levels           | 1  |

## Connection 1

|   |  |
|---|--|
| Connection technology                             | CAGE CLAMP®                                |
| Actuation type                                    | Operating tool                             |
| Solid conductor                                   | 0.08 ... 4 mm <sup>2</sup> / 28 ... 12 AWG |
| Fine-stranded conductor                           | 0.08 ... 4 mm <sup>2</sup> / 28 ... 12 AWG |
| Fine-stranded conductor; with insulated ferrule   | 0.25 ... 2.5 mm <sup>2</sup>               |
| Fine-stranded conductor; with uninsulated ferrule | 0.25 ... 2.5 mm <sup>2</sup>               |
| Strip length                                      | 9 ... 10 mm / 0.35 ... 0.39 inches         |
| Pole number                                       | 10   |

## Physical data

|             |                         |
|-------------|-------------------------|
| Pin spacing | 7 mm / 0.276 inches     |
| Width       | 71.5 mm / 2.815 inches  |
| Height      | 23.55 mm / 0.927 inches |
| Depth       | 42.5 mm / 1.673 inches  |

## Mechanical data

|   |                                     |
|---|-------------------------------------|
| Housing sheet thickness                 | 1 ... 4 mm / 0.039 ... 0.157 inches |
| Mounting type                           | Locking claw                        |
| Mounting type                           | Feed-through mounting               |
| Suitable for through-panel applications | Yes                                 |

### Material data

|                                    |  |
|------------------------------------|--|
| Note (material data)               | <a href="#">Information on material specifications can be found here</a> |
| Color                              | gray   |
| Material group                     | I  |
| Insulation material (main housing) | Polyamide (PA66)   |
| Flammability class per UL94        | V0   |
| Clamping spring material           | Chrome-nickel spring steel (CrNi)  |
| Contact material                   | Electrolytic copper (E <sub>Cu</sub> )                                   |
| Contact Plating                    | Tin  |
| Fire load                          | 1.055 MJ   |
| Weight                             | 53.8 g   |

### Environmental requirements

|                         |                 |
|-------------------------|-----------------|
| Limit temperature range | -60 ... +105 °C |
| Processing temperature  | -35 ... +60 °C  |

### Commercial data

|                       |                                |
|-----------------------|--------------------------------|
| Product Group         | 4 (Printed Circuit Connectors) |
| PU (SPU)              | 25 pcs                         |
| Packaging type        | Box                            |
| Country of origin     | DE                             |
| GTIN                  | 4044918532846                  |
| Customs tariff number | 85369010000                    |

### Product Classification

|             |                      |
|-------------|----------------------|
| UNSPSC      | 39121410             |
| eCl@ss 10.0 | 27-14-11-06          |
| eCl@ss 9.0  | 27-14-11-06          |
| ETIM 9.0    | EC001284             |
| ETIM 10.0   | EC001284             |
| ECCN        | NO US CLASSIFICATION |

### Environmental Product Compliance

|                        |                         |
|------------------------|-------------------------|
| RoHS Compliance Status | Compliant, No Exemption |
|------------------------|-------------------------|

### Approvals / Certificates

#### General approvals



| Approval                            | Standard | Certificate Name |
|-------------------------------------|----------|------------------|
| CCA<br>DEKRA Certification B.V.     | -        | 2160584.32       |
| CCA<br>DEKRA Certification B.V.     | -        | NTR NL-7136      |
| UL<br>UL International Germany GmbH | UL 1059  | E45172           |

#### Declarations of conformity and manufacturer's declarations

| Approval   | Standard | Certificate Name |
|--|----------|------------------|
| EU-Declaration of Conformity<br>WAGO GmbH & Co. KG | -        | -                |
| UK-Declaration of Conformity<br>WAGO GmbH & Co. KG | -        | -                |

Approvals for marine applications



| Approval  | Standard  | Certificate Name  |
|---|-----------|-------------------|
| ABS<br>American Bureau of Ship-<br>ping               | EN 60947  | 24-0152298-PDA    |
| BV<br>Bureau Veritas S.A.                             | EN 60947  | 07436/G0 BV       |
| DNV GL<br>Det Norske Veritas, Ger-<br>manischer Lloyd | -         | TAE00001V2        |
| LR<br>Lloyds Register                                 | IEC 61984 | 96/20035 (E5)     |
| PRS<br>Polski Rejestr Statków                         | -         | TE/1094/880590/23 |

Downloads

Environmental Product Compliance

| Compliance Search                           |   |
|---|---|
| Environmental Product<br>Compliance 826-170 | ↓ |

Documentation

| Additional Information |            |                   |   |
|------------------------|------------|-------------------|---|
| Technical Section      | 03.04.2019 | pdf<br>2027.26 KB | ↓ |

CAD/CAE-Data

| CAD data             |   |
|----------------------|---|
| 2D/3D Models 826-170 | ↓ |

| CAE data                     |   |
|------------------------------|---|
| EPLAN Data Portal<br>826-170 | ↓ |
| ZUKEN Portal 826-170         | ↓ |

**1 Compatible Products**

**1.1 Optional Accessories**

**1.1.1 Ferrule**

**1.1.1.1 Ferrule**



**Item No.: 216-241**  
 Ferrule; Sleeve for 0.5 mm<sup>2</sup> / 20 AWG; insulated; electro-tin plated; electrolytic copper; gastight crimped; acc. to DIN 46228, Part 4/09.90; white



**Item No.: 216-141**  
 Ferrule; Sleeve for 0.5 mm<sup>2</sup> / 20 AWG; un-insulated; electro-tin plated; electrolytic copper; gastight crimped; acc. to DIN 46228, Part 1/08.92



**Item No.: 216-242**  
 Ferrule; Sleeve for 0.75 mm<sup>2</sup> / 18 AWG; insulated; electro-tin plated; electrolytic copper; gastight crimped; acc. to DIN 46228, Part 4/09.90; gray



**Item No.: 216-262**  
 Ferrule; Sleeve for 0.75 mm<sup>2</sup> / 18 AWG; un-insulated; electro-tin plated; electrolytic copper; gastight crimped; acc. to DIN 46228, Part 4/09.90; gray



**Item No.: 216-142**  
 Ferrule; Sleeve for 0.75 mm<sup>2</sup> / 18 AWG; un-insulated; electro-tin plated; electrolytic copper; gastight crimped; acc. to DIN 46228, Part 1/08.92



**Item No.: 216-243**  
 Ferrule; Sleeve for 1 mm<sup>2</sup> / AWG 18; insulated; electro-tin plated; electrolytic copper; gastight crimped; acc. to DIN 46228, Part 4/09.90; red



**Item No.: 216-263**  
 Ferrule; Sleeve for 1 mm<sup>2</sup> / AWG 18; un-insulated; electro-tin plated; electrolytic copper; gastight crimped; acc. to DIN 46228, Part 4/09.90; red



**Item No.: 216-143**  
 Ferrule; Sleeve for 1 mm<sup>2</sup> / AWG 18; un-insulated; electro-tin plated; electrolytic copper; gastight crimped; acc. to DIN 46228, Part 1/08.92



**Item No.: 216-244**  
 Ferrule; Sleeve for 1.5 mm<sup>2</sup> / AWG 16; un-insulated; electro-tin plated; electrolytic copper; gastight crimped; acc. to DIN 46228, Part 4/09.90; black



**Item No.: 216-264**  
 Ferrule; Sleeve for 1.5 mm<sup>2</sup> / AWG 16; un-insulated; electro-tin plated; electrolytic copper; gastight crimped; acc. to DIN 46228, Part 4/09.90; black



**Item No.: 216-284**  
 Ferrule; Sleeve for 1.5 mm<sup>2</sup> / AWG 16; un-insulated; electro-tin plated; electrolytic copper; gastight crimped; acc. to DIN 46228, Part 4/09.90; black



**Item No.: 216-144**  
 Ferrule; Sleeve for 1.5 mm<sup>2</sup> / AWG 16; un-insulated; electro-tin plated; electrolytic copper; gastight crimped; acc. to DIN 46228, Part 1/08.92; silver-colored



**Item No.: 216-246**  
 Ferrule; Sleeve for 2.5 mm<sup>2</sup> / AWG 14; un-insulated; electro-tin plated; electrolytic copper; gastight crimped; acc. to DIN 46228, Part 4/09.90; blue



**Item No.: 216-266**  
 Ferrule; Sleeve for 2.5 mm<sup>2</sup> / AWG 14; un-insulated; electro-tin plated; electrolytic copper; gastight crimped; acc. to DIN 46228, Part 4/09.90; blue



**Item No.: 216-286**  
 Ferrule; Sleeve for 2.5 mm<sup>2</sup> / AWG 14; un-insulated; electro-tin plated; electrolytic copper; gastight crimped; acc. to DIN 46228, Part 4/09.90; blue



**Item No.: 216-106**  
 Ferrule; Sleeve for 2.5 mm<sup>2</sup> / AWG 14; un-insulated; electro-tin plated; silver-colored

**1.1.2 Marking**

**1.1.2.1 Marking strip**



**Item No.: 210-332/700-103**  
 Marking strips; as a DIN A4 sheet; MARKED; 1-12 (160x); Height of marker strip: 3 mm; Strip length 182 mm; Horizontal marking; Self-adhesive; white



**Item No.: 210-332/700-102**  
 Marking strips; as a DIN A4 sheet; MARKED; 12-1 (160x); Height of marker strip: 3 mm; Strip length 182 mm; Horizontal marking; Self-adhesive; white

**1.1.3 Test and measurement**

**1.1.3.1 Testing accessories**



**Item No.: 210-136**  
 Test plug; 2 mm Ø; with 500 mm cable; red

## 1.1.4 Tool

### 1.1.4.1 Operating tool



**Item No.: 210-720**

Operating tool; Blade: 3.5 x 0.5 mm; with a partially insulated shaft; multicoloured

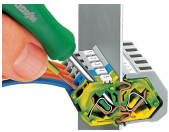


**Item No.: 210-657**

Operating tool; Blade: 3.5 x 0.5 mm; with a partially insulated shaft; short; multicoloured

## Installation Notes

### Conductor termination



Inserting a conductor.

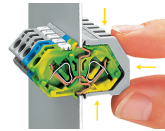
## Installation



Insert the terminal strip into the cutout until the stop hits the enclosure wall.



Secure the terminal strip to the inner side of the cutout via retaining clips.



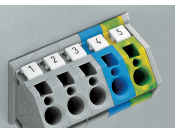
Push retaining clips until stop and press together in the direction of the terminal strip center.

## Testing

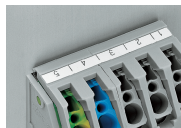


Testing with 2 mm or 2.3 mm Ø test plug.

## Marking



Labeling via Mini-WSB makers – directly on the terminal blocks.



Self-adhesive marking strips adhere directly on the retaining clips.

Application



Automatic, double contact of the ground contact to the enclosure wall