

# Sylvania Granit IP65 0-10V 19500lm 840 WB

Item No: 0039734

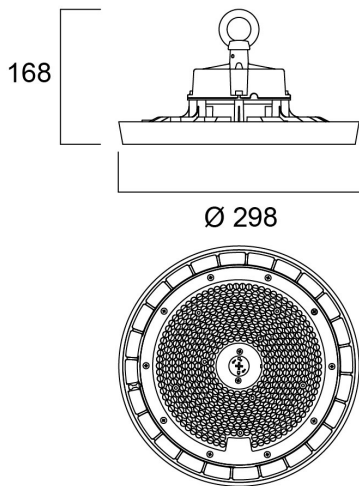
**SYLVANIA**

**PRO**



## Technical Assets

### Dimensions (mm)

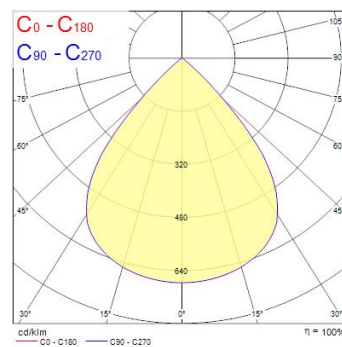


### Photometrics

|     |      |                |       |                |
|-----|------|----------------|-------|----------------|
| 0.5 | 0.87 | E(0°)<br>E(C0) | 41.0° | 82790<br>11385 |
| 1.0 | 1.74 | E(0°)<br>E(C0) | 41.0° | 13197<br>2046  |
| 1.5 | 2.61 | E(0°)<br>E(C0) | 41.0° | 8666<br>1288   |
| 2.0 | 3.48 | E(0°)<br>E(C0) | 41.0° | 5299<br>712    |
| 2.5 | 4.35 | E(0°)<br>E(C0) | 41.0° | 2112<br>485    |
| 3.0 | 5.22 | E(0°)<br>E(C0) | 41.0° | 1485<br>316    |

Distance [m]      Cone diameter [m]      Illuminance [lx]

— C0 - C180 (Half beam angle: 82.0°)



# Sylvania Granit IP65 0-10V 19500lm 840 WB

Item No: 0039734

**SYLVANIA**

## General data

|                                  |   |
|----------------------------------|---|
| Product name                     | Sylvania Granit IP65 0-10V 19500lm 840 WB |
| Technology                       | LED                                       |
| Cap/Base                         | N/A                                       |
| General application              | Logistics & Industry                      |
| Operating temperature range (°C) | -30°C...+50°C                             |
| ETIM Class                       | EC001716                                  |
| E-number FI                      | 4357100                                   |
| Warranty                         | 5 years                                   |

## Optical data

|                                   |               |
|-----------------------------------|---------------|
| Fixture luminous flux (lm)        | 19500         |
| Luminaire efficacy (lm/W)         | 163           |
| Correlated colour temperature (k) | 4000          |
| Light colour                      | Neutral White |
| CRI (Ra)                          | 80            |
| Colour Variation Initial (SDCM)   | SDCM3         |
| Beam Angle (°)                    | 85            |
| Distribution type                 | Symmetric     |
| Glare control                     | < 25          |
| Photobiological Risk Group        | RG1           |

## Electrical data

|  |                |
|--|----------------|
| Total power consumption (W)                              | 120            |
| Primary Supply/Product voltage - min (V)                 | 220.0          |
| Lamp power factor  | 0.95           |
| Electrical protection                                    | Class I        |
| Dimming method   | 0-10V          |
| Drive current (mA)                                       | 470            |
| Inrush Current (A)                                       | 80             |
| Inrush Duration (µs)                                     | 300            |
| Energy Efficiency Class (A->G) of contained light source | C              |
| Nominal Frequency (Hz)                                   | 50/60Hz        |
| LED Flickering Rate                                      | Low (6% - 20%) |
| Max. products per 10A C Breaker                          | 5              |
| Max. products per 13A C Breaker                          | 6              |
| Max. products per 16A C Breaker                          | 9              |
| Max. products per 20A C Breaker                          | 11             |
| Max. products per 20A B Breaker                          | 6              |
| Mains surge immunity (differential mode -> L-N) (kV)     | 6              |
| Mains surge immunity (common mode -> L/N - GND) (kV)     | 6              |

## Lifetime data

|                  |        |
|------------------|--------|
| Lifespan L70 B50 | 120000 |
| Lifespan L80 B20 | 92000  |
| Lifespan L90 B50 | 51000  |

## Physical data

|                               |                          |
|-------------------------------|--------------------------|
| Housing colour                | RAL 9017 - Traffic black |
| IP rating                     | IP65                     |
| IK rating                     | IK08                     |
| Nominal Product Height (mm)   | 168                      |
| Nominal Product Diameter (mm) | 298                      |
| Weight (kg)                   | 2.243                    |

# Sylvania Granit IP65 0-10V 19500lm 840 WB

Item No: 0039734



## Packaging

|                                      |                |
|--------------------------------------|----------------|
| Product EAN number                   | 5410288397344  |
| Packaging single width (cm)          | 32.5           |
| Packaging single depth (cm)          | 14.5           |
| DUN14 (inner)                        | 05410288397344 |
| Packaging outer length / height (cm) | 32.5           |

## Safety data

|                                  |        |
|----------------------------------|--------|
| Glow Wire Test (°C)              | 850    |
| Optimal operating condition (°C) | -30-50 |