



LULU Wall valve clockwise closing 3/4" - Brushed Platinum

LULU


36 608 710



- rosette 78 x 55 mm
- head part with cut-to-length spindle and sleeve
- WRAS

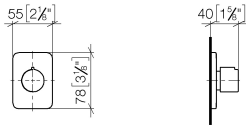
	Brushed Platinum	36 608 710-06
	Chrome	36 608 710-00

Required miscellaneous

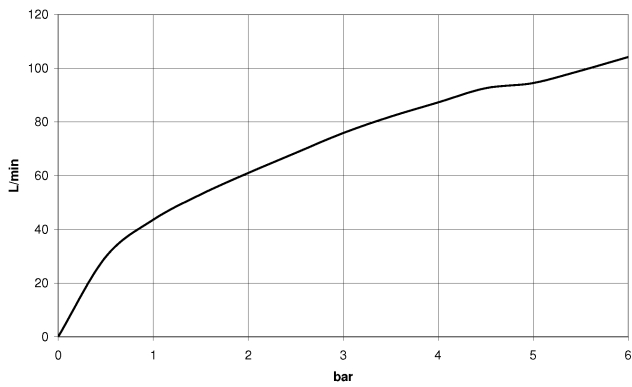
	Wall valve 3/4" - •min. recess depth 75 mm •max. recess depth 145 mm	35 608 970 90
---	---	---------------

36 608 710

mm [inches]



Flow rate chart



Codes & Standards

ASME A112.18.1

cUPC

Scottish Water
Byelaws

UK Water Supply
Regulations



LULU Wall valve clockwise closing 3/4" - Brushed Platinum

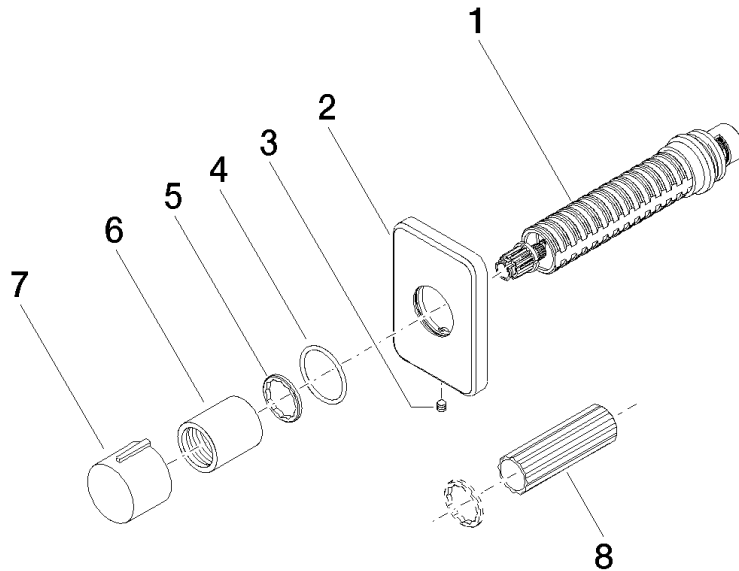
LULU

36 608 710

Certificates and sustainability

WRAS_2010	IAPMO_4976 (EPD-DOR-20230287 -IBA1-EN Environmental.prod uct-declarat
-----------	--------------	--

36 608 710



Spare parts list

No.	Item Number	Name	Quantity used	Delivery time
4	90 14 10 063 00 90	O-Ring EPDM 70 26,0 x 2,0 mm -	1.00	14
1	90 90 03 127 00 90	Head part clockwise closing 3/4" -	1.00	14
8	90 30 09 010 00 90	Spanner -	1.00	14
7	09 20 97 030-06	Handle Ø 31,5 x 25 mm - Brushed Platinum	1.00	20
2	09 27 71 029-06	Rosette 9 x 56 x 79 mm - Brushed Platinum	1.00	20
6	09 21 02 070-06	Cover Ø 26 x 30 mm - Brushed Platinum	1.00	20
3	90 31 11 007 00 90	Mounting Threaded pin with hexagon socket M4 x 6 mm	1.00	14
5	09 16 01 025 90	Ring Ø 24 x 2,5 mm -	1.00	14