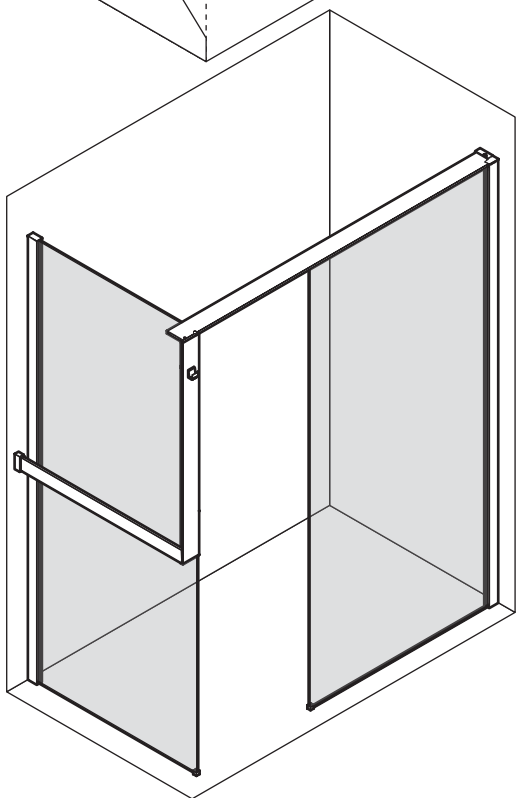
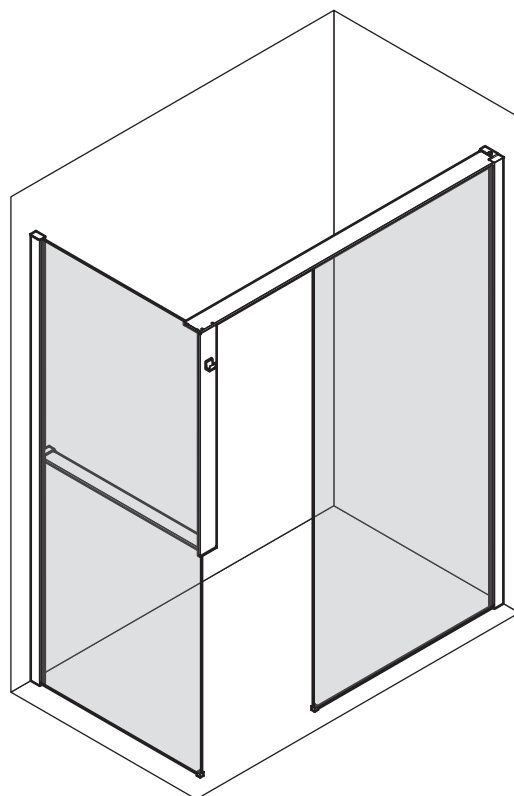
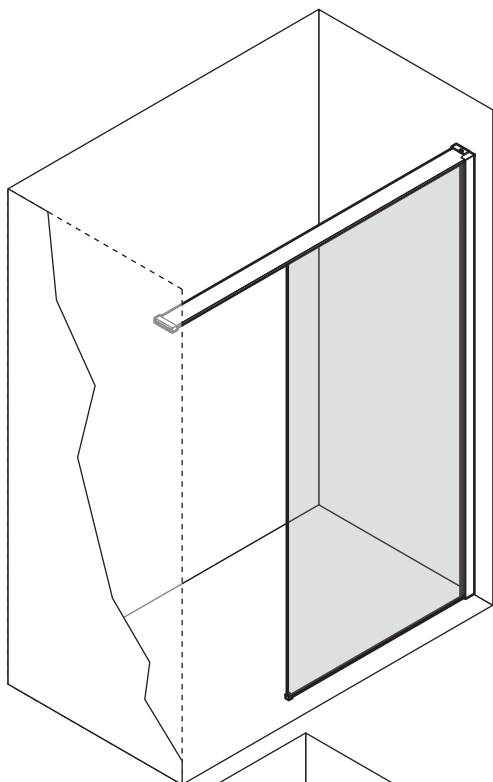
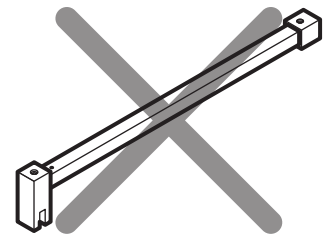
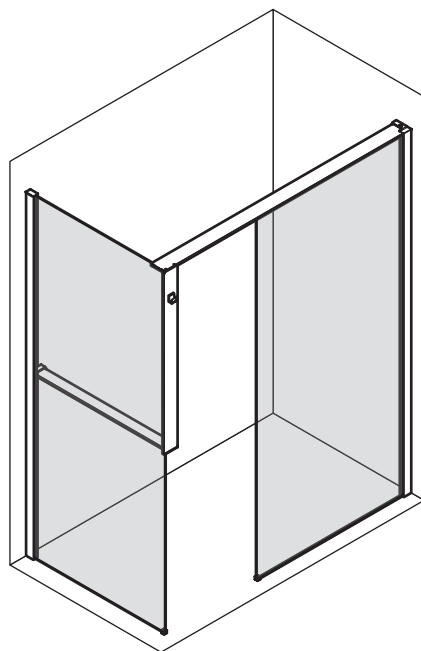
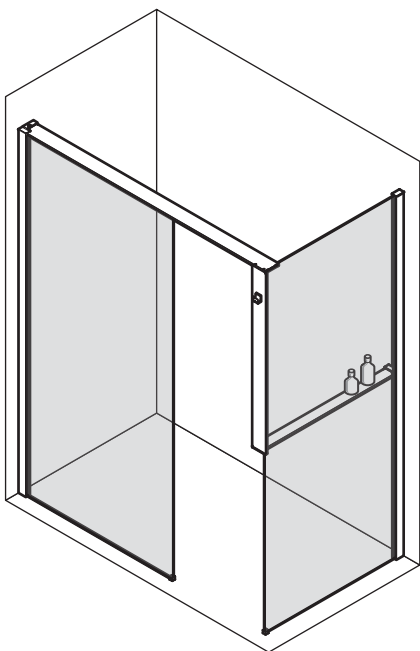
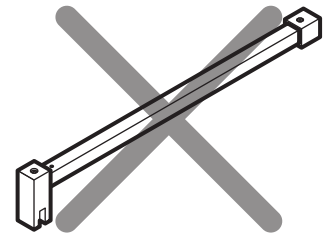
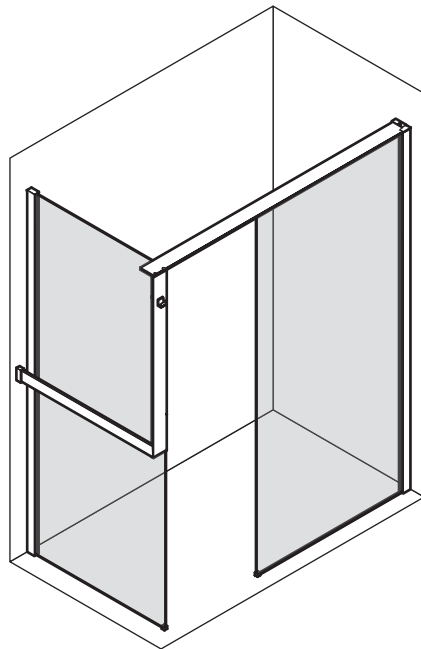
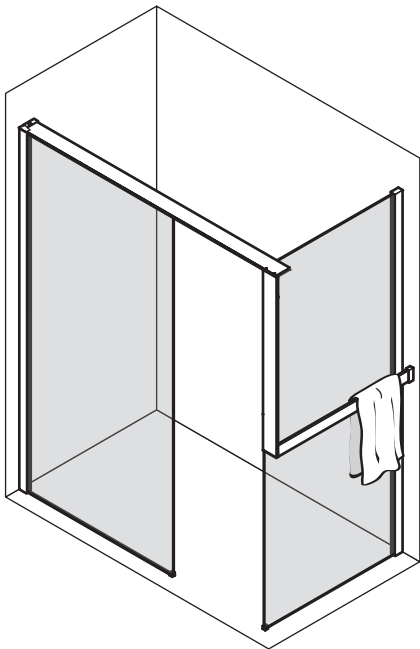
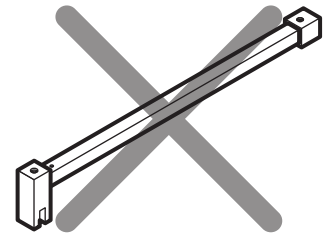
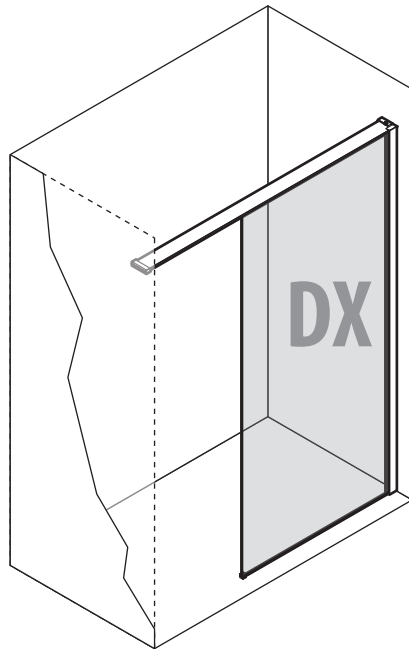
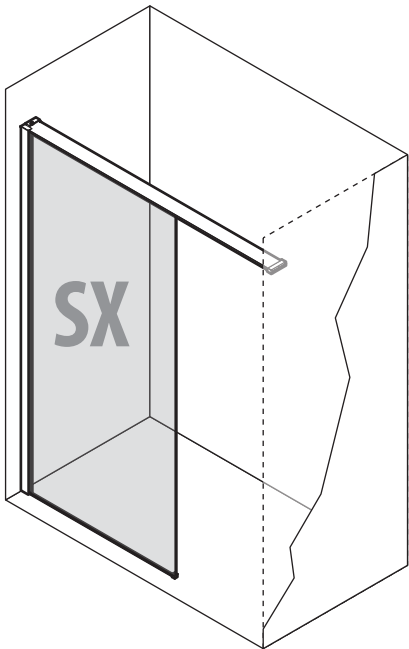


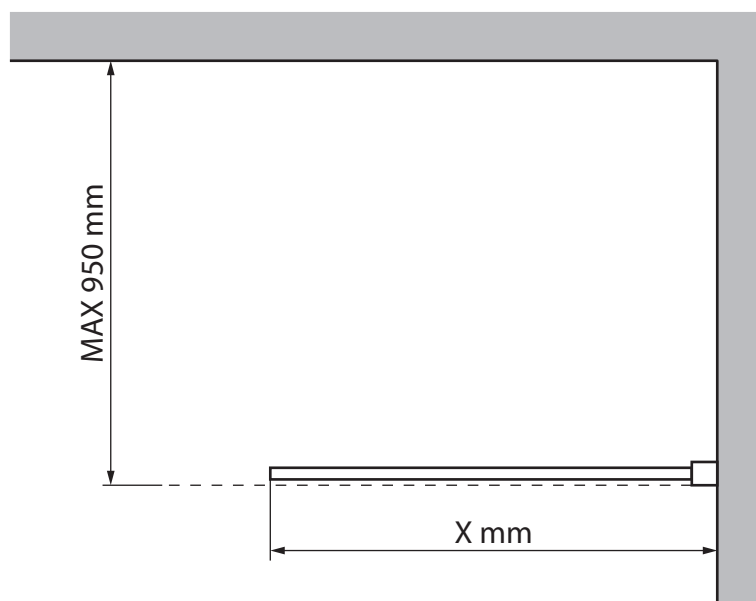
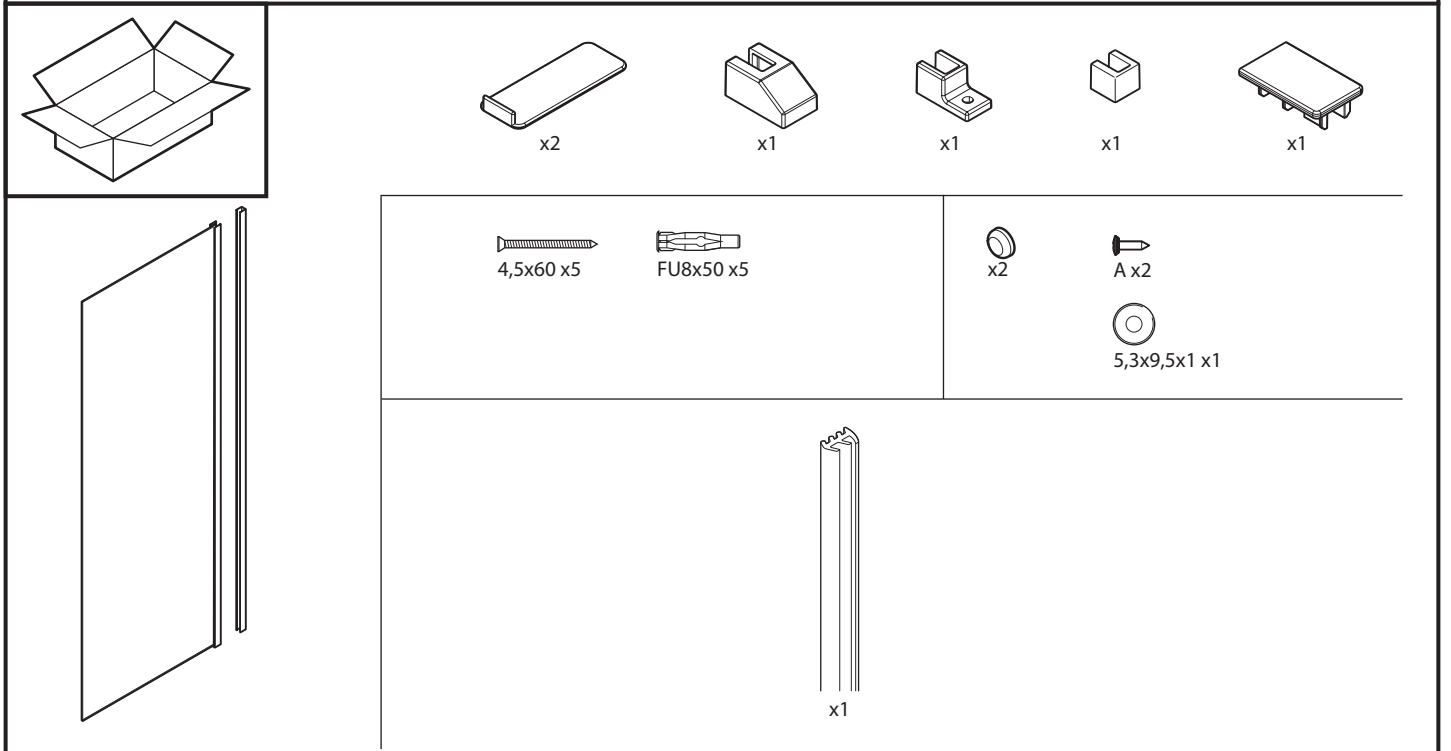
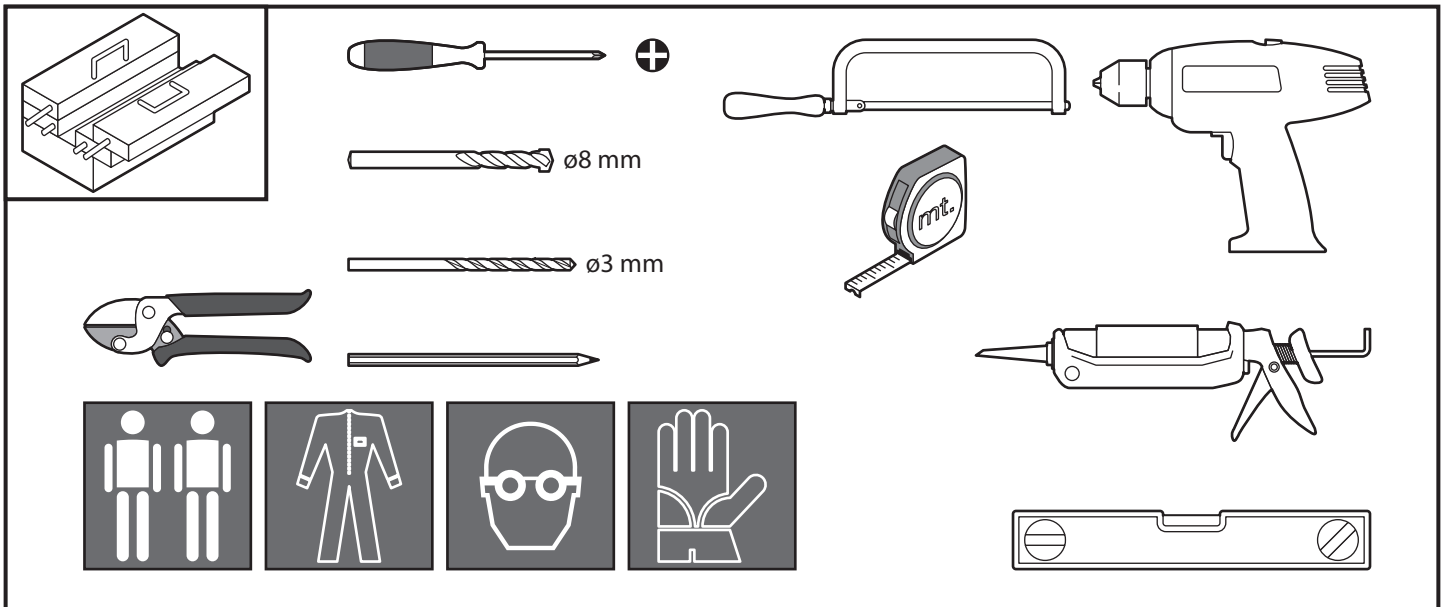
FRAME

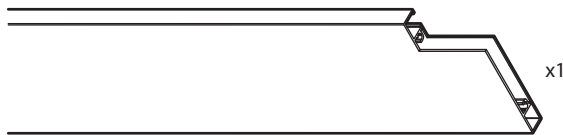
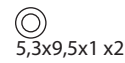
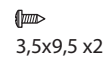
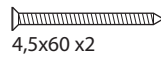
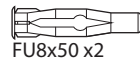
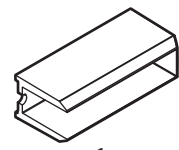
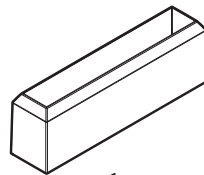
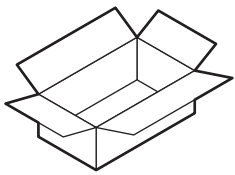
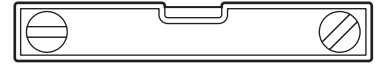
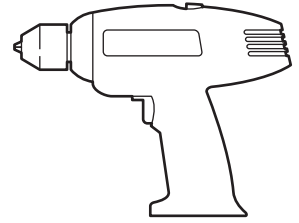
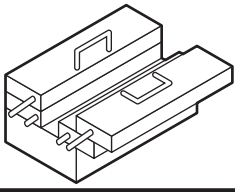
 **NOVELLINI**

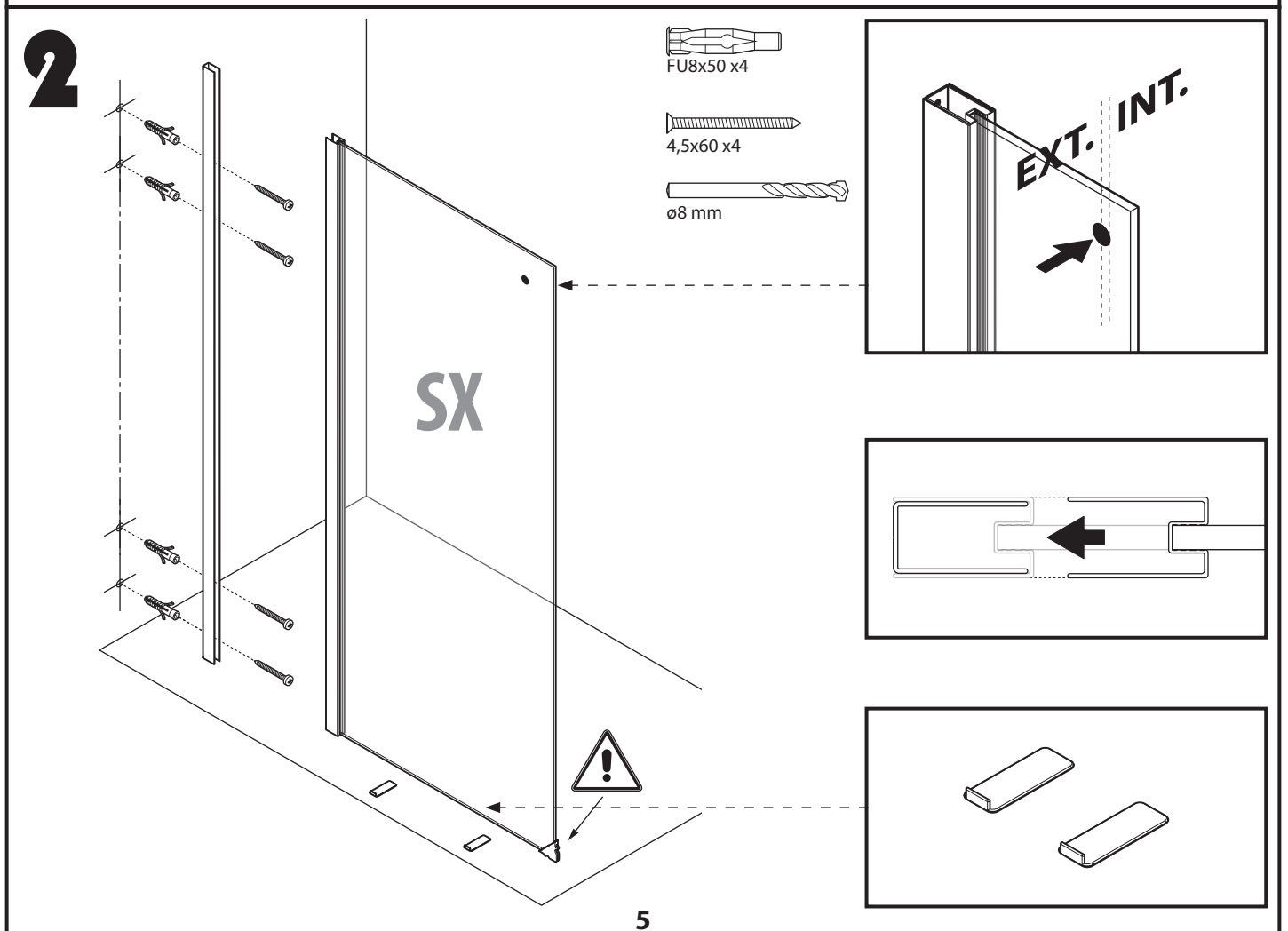
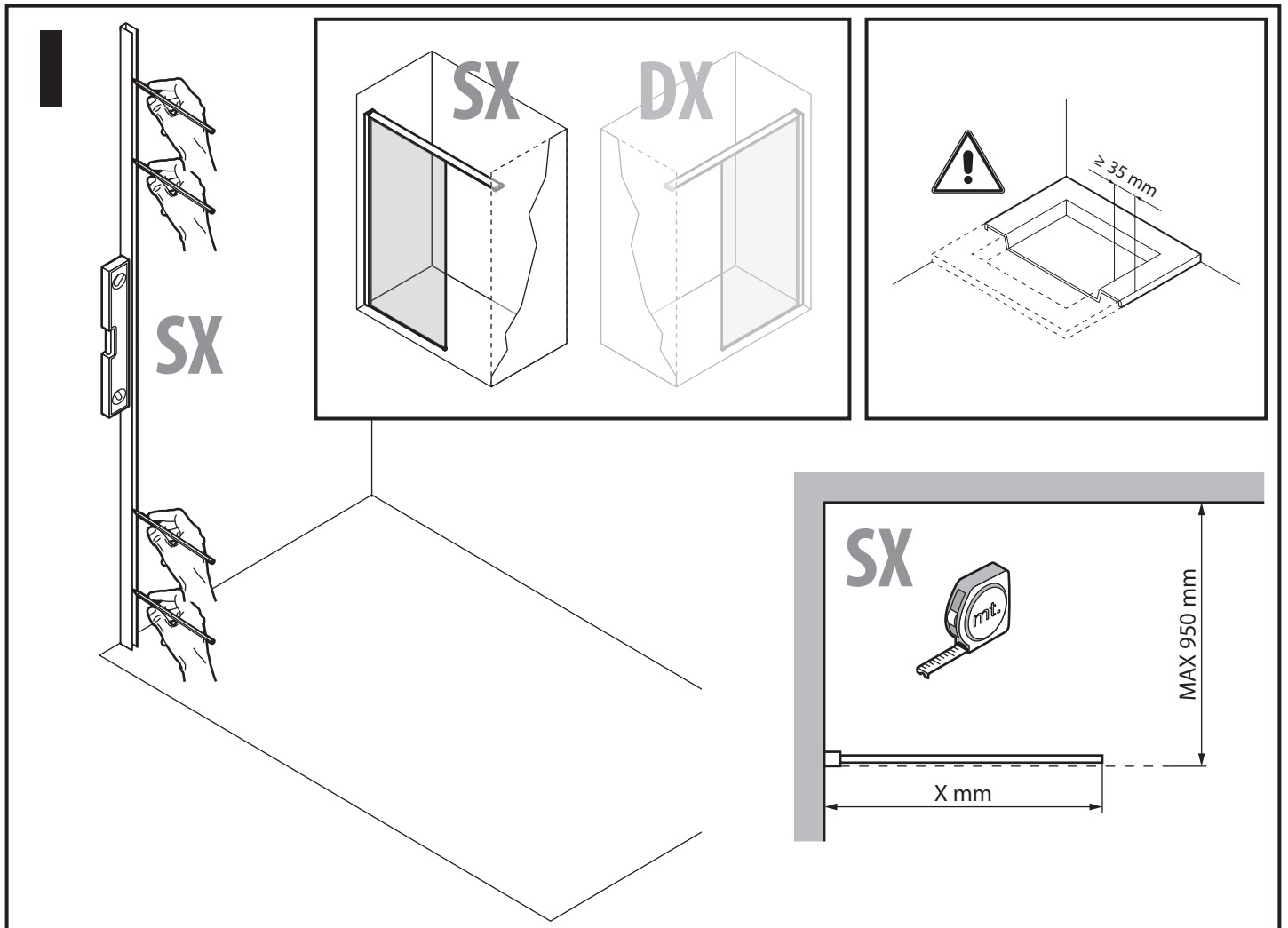
HH



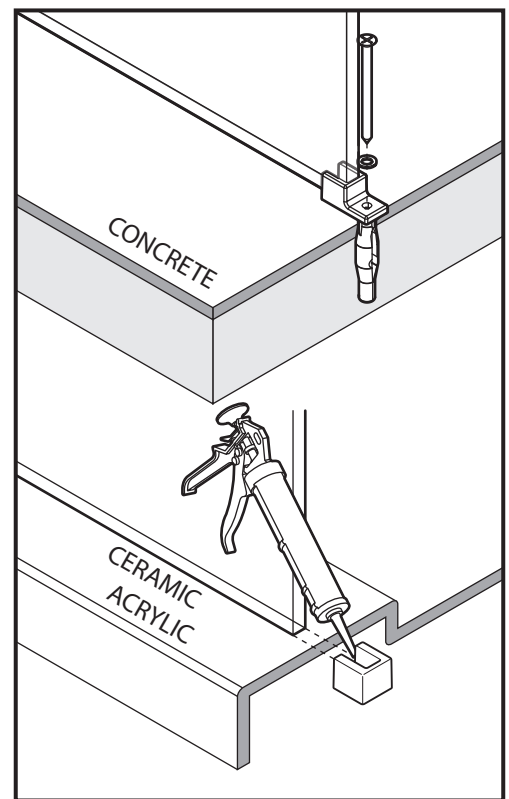
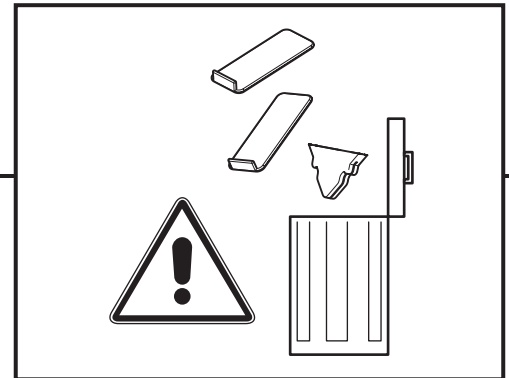
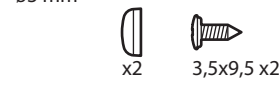
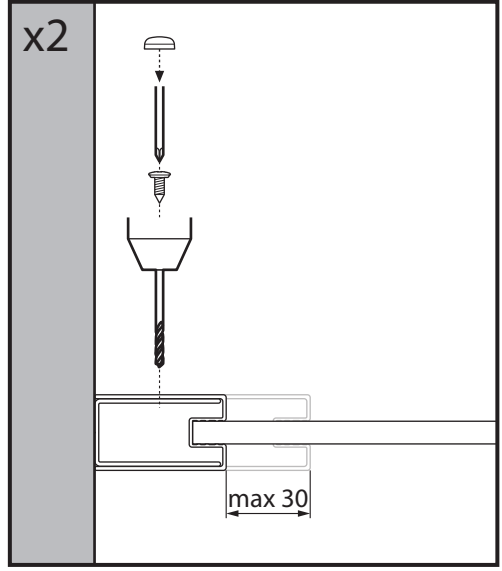
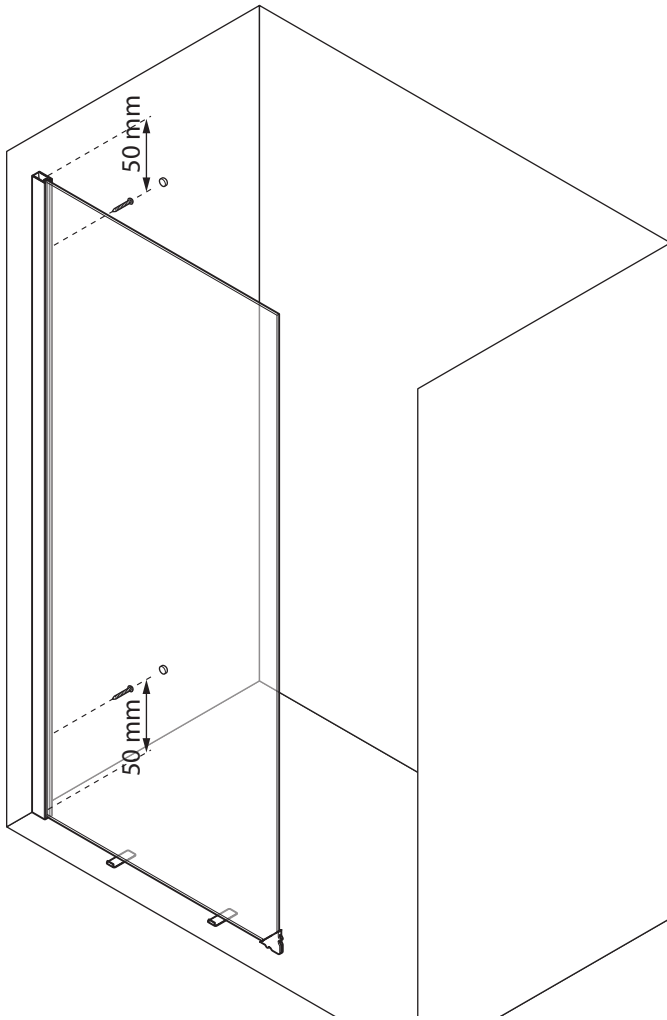




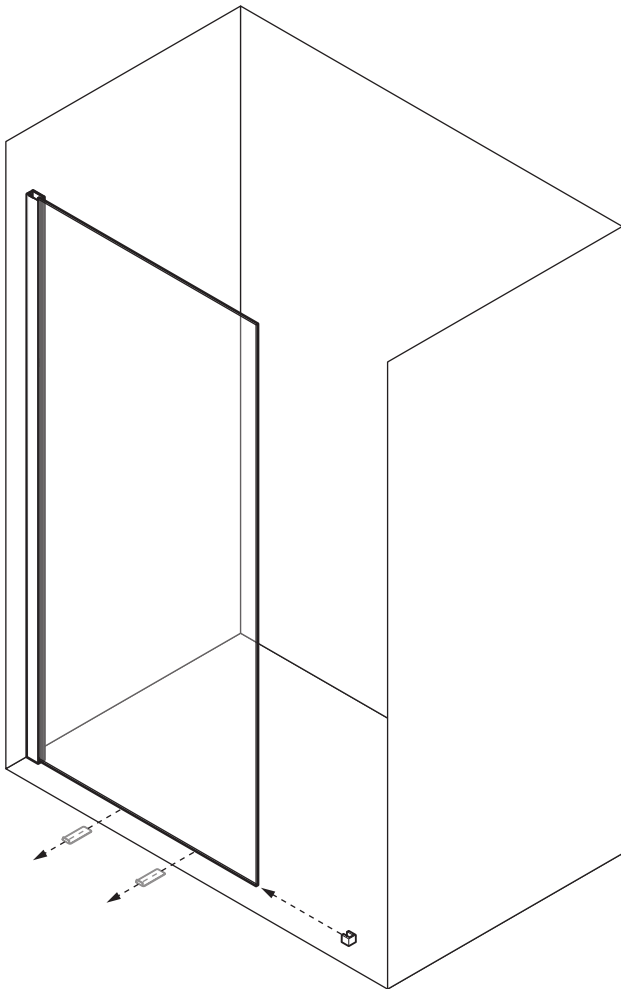




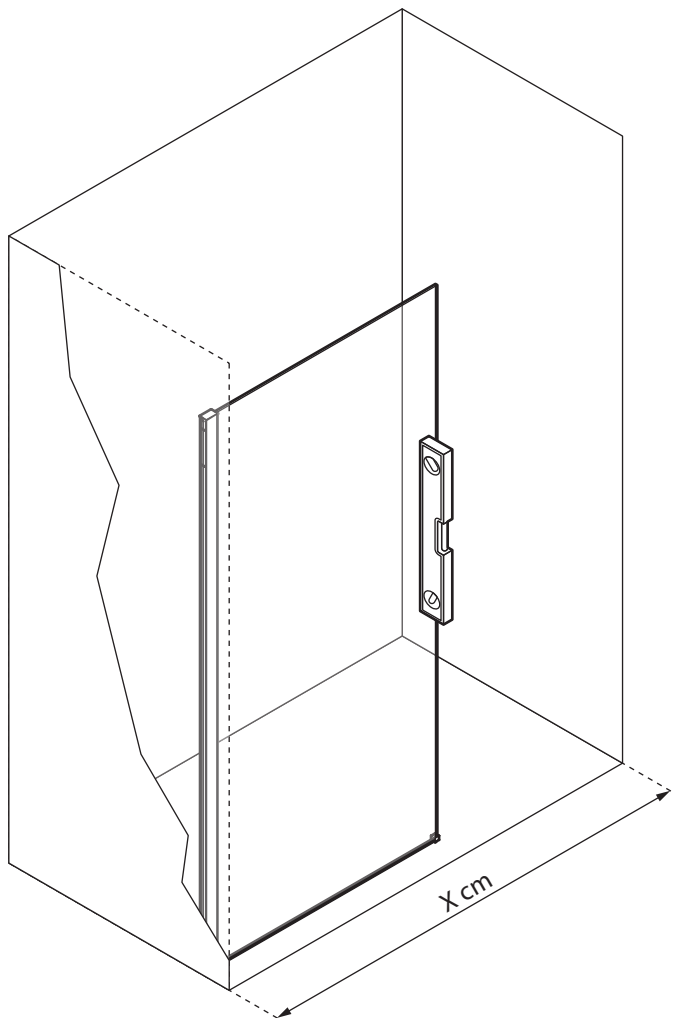
3



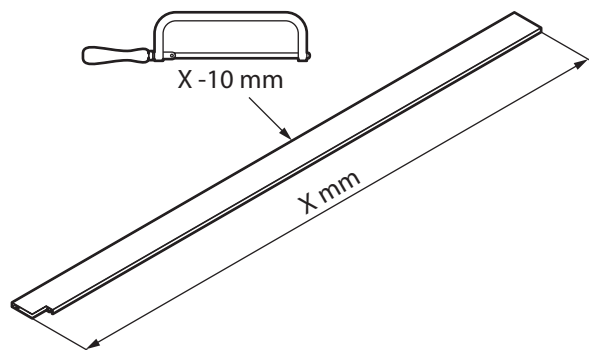
4



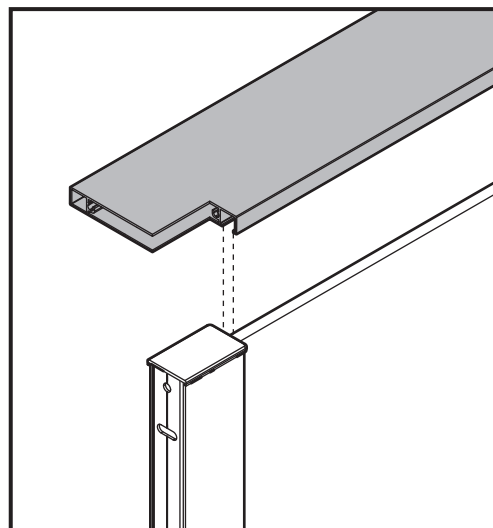
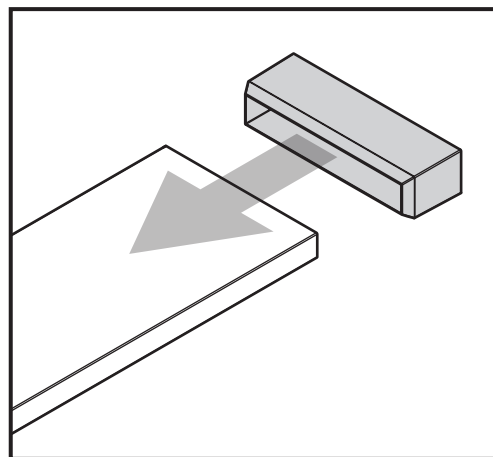
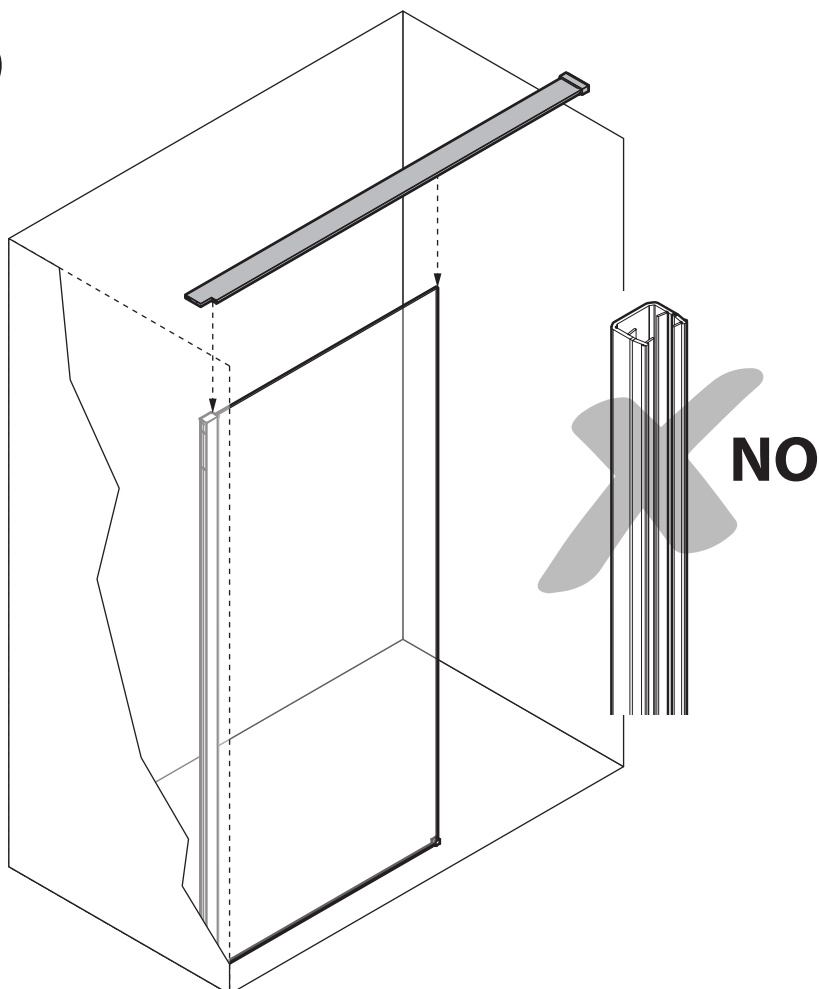
5



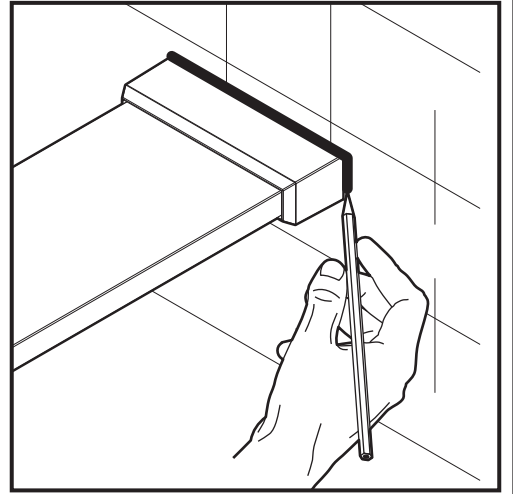
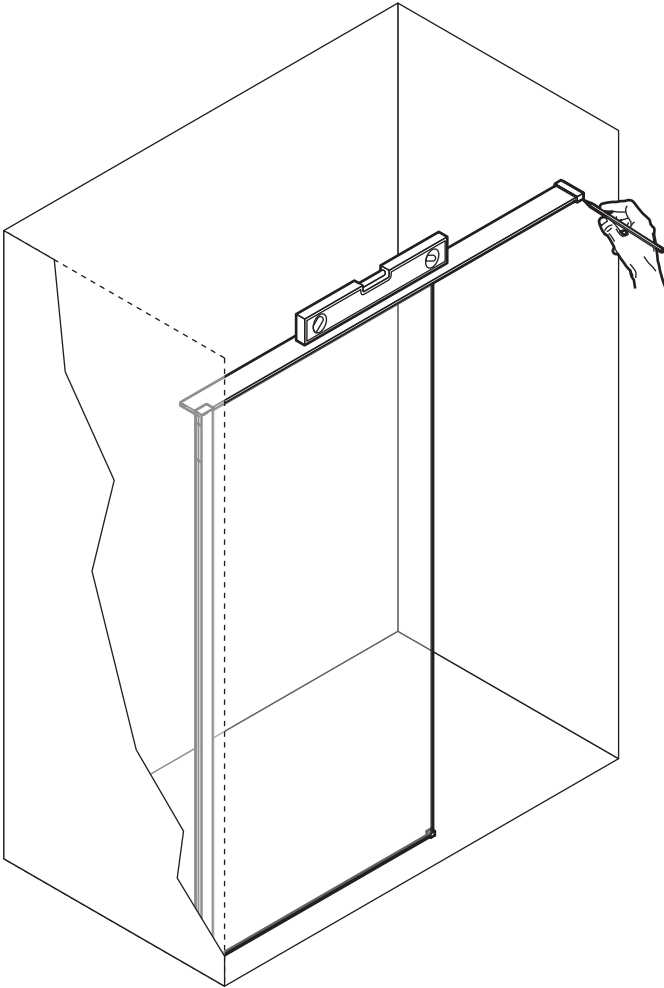
KIT KUADRA HN	X= 120 cm
KIT KUADRA HN	X= 140 cm
KIT KUADRA HN	X= 150 cm
KIT KUADRA HN	X= 160 cm
KIT KUADRA HN	X= 170 cm
KIT KUADRA HN	X= 180 cm



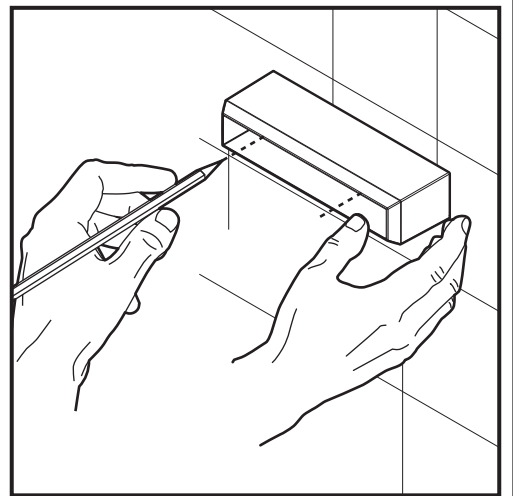
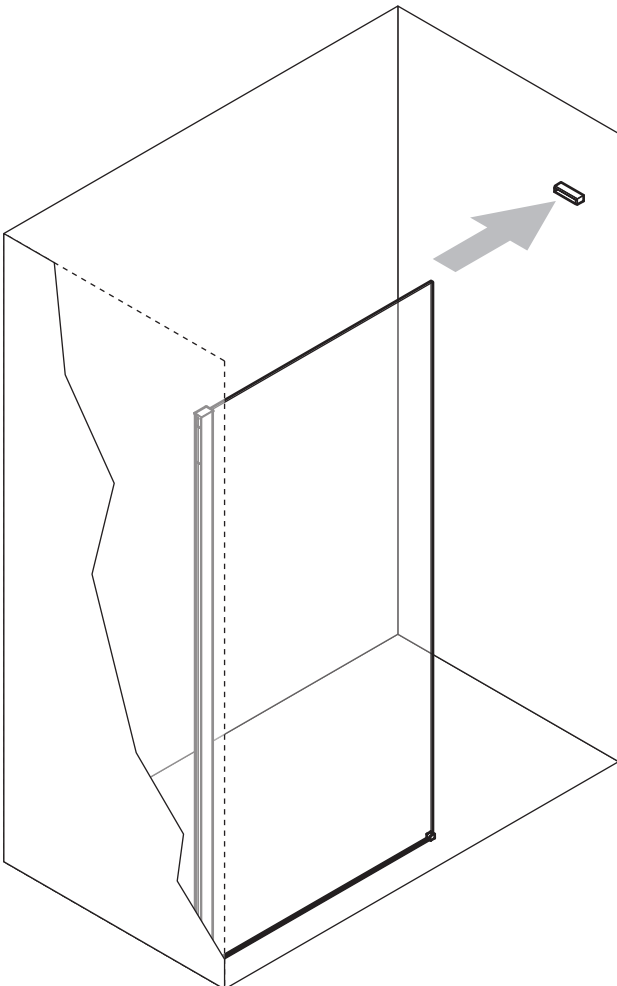
6



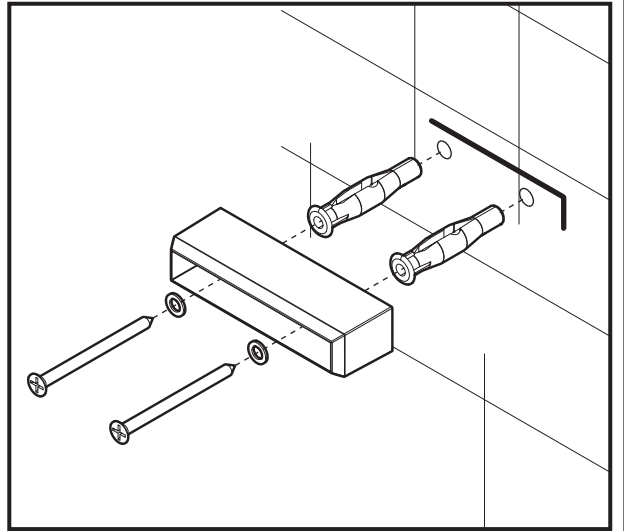
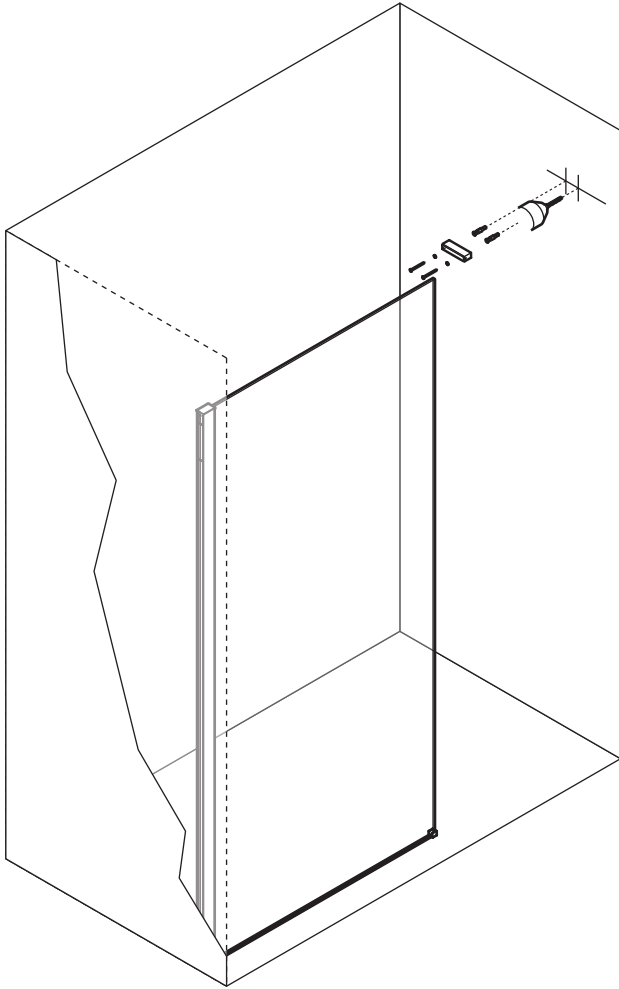
7



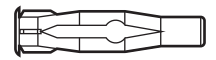
8



9



ø8 mm



FU8x50 x2

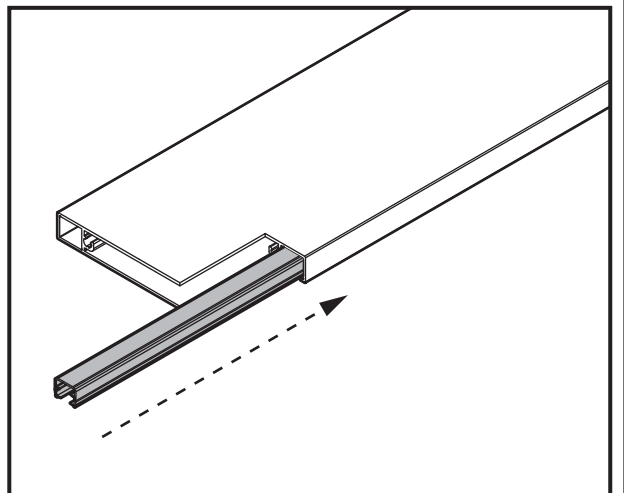
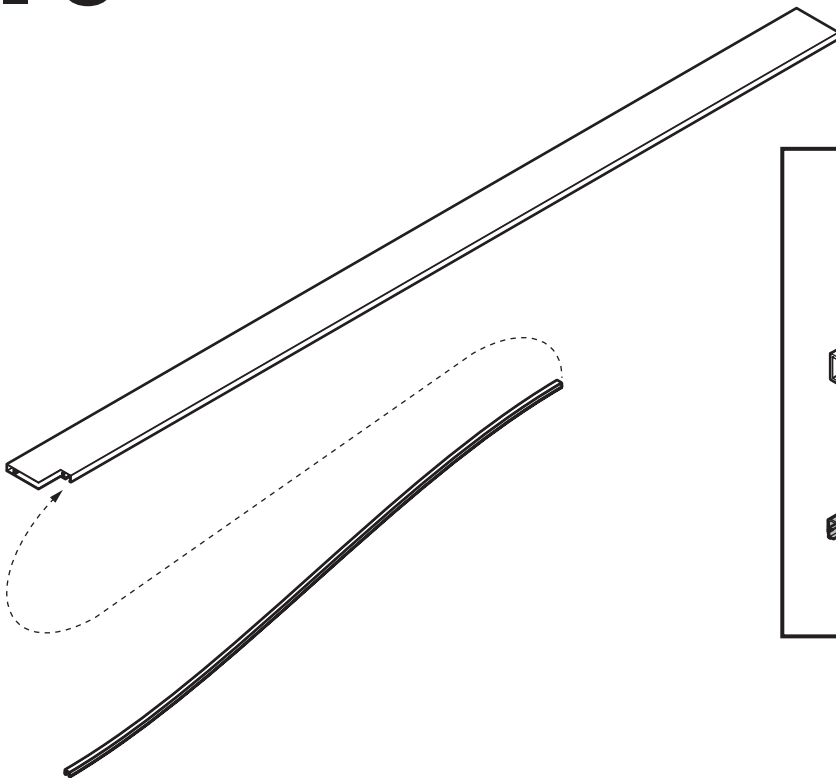


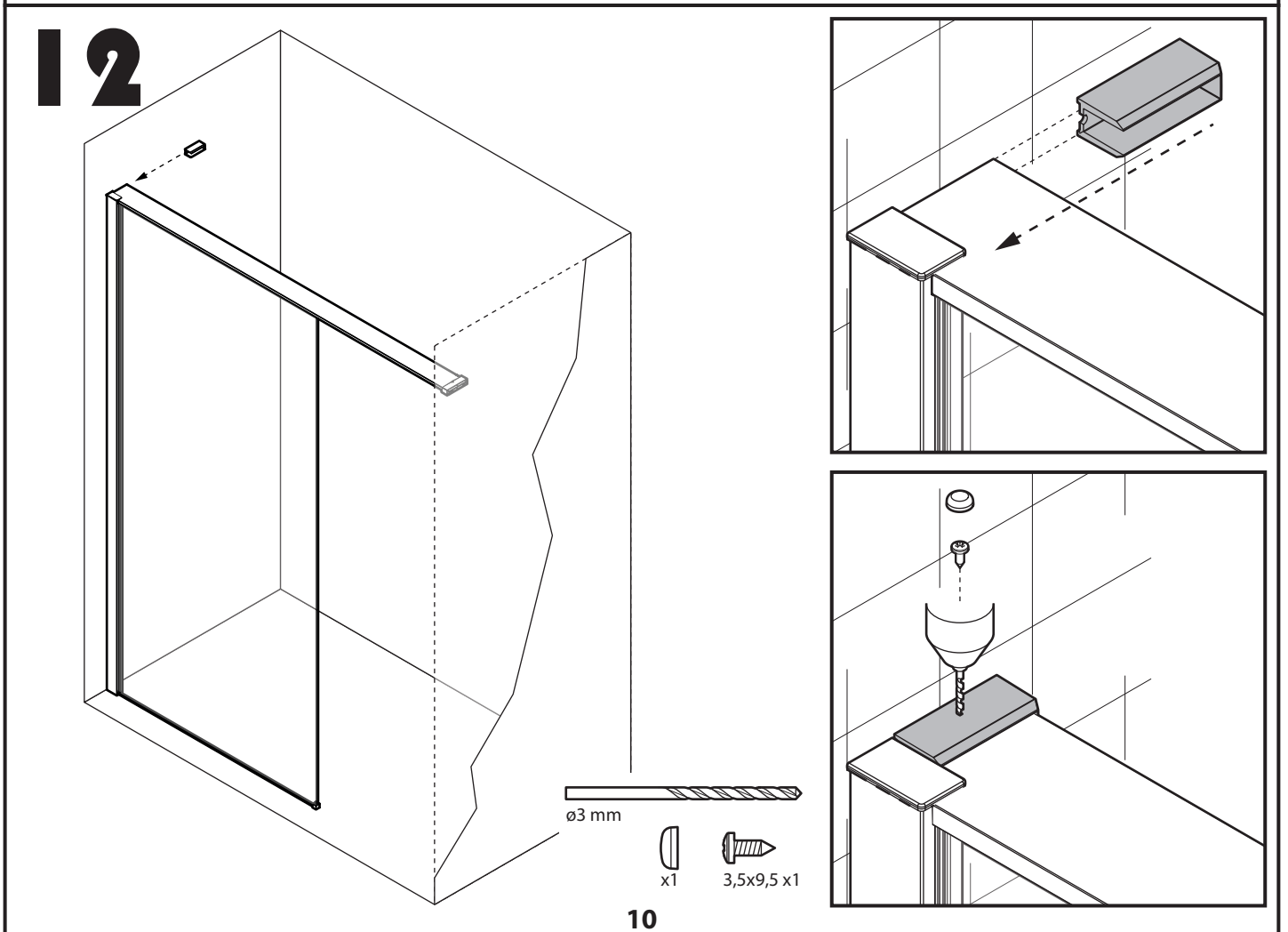
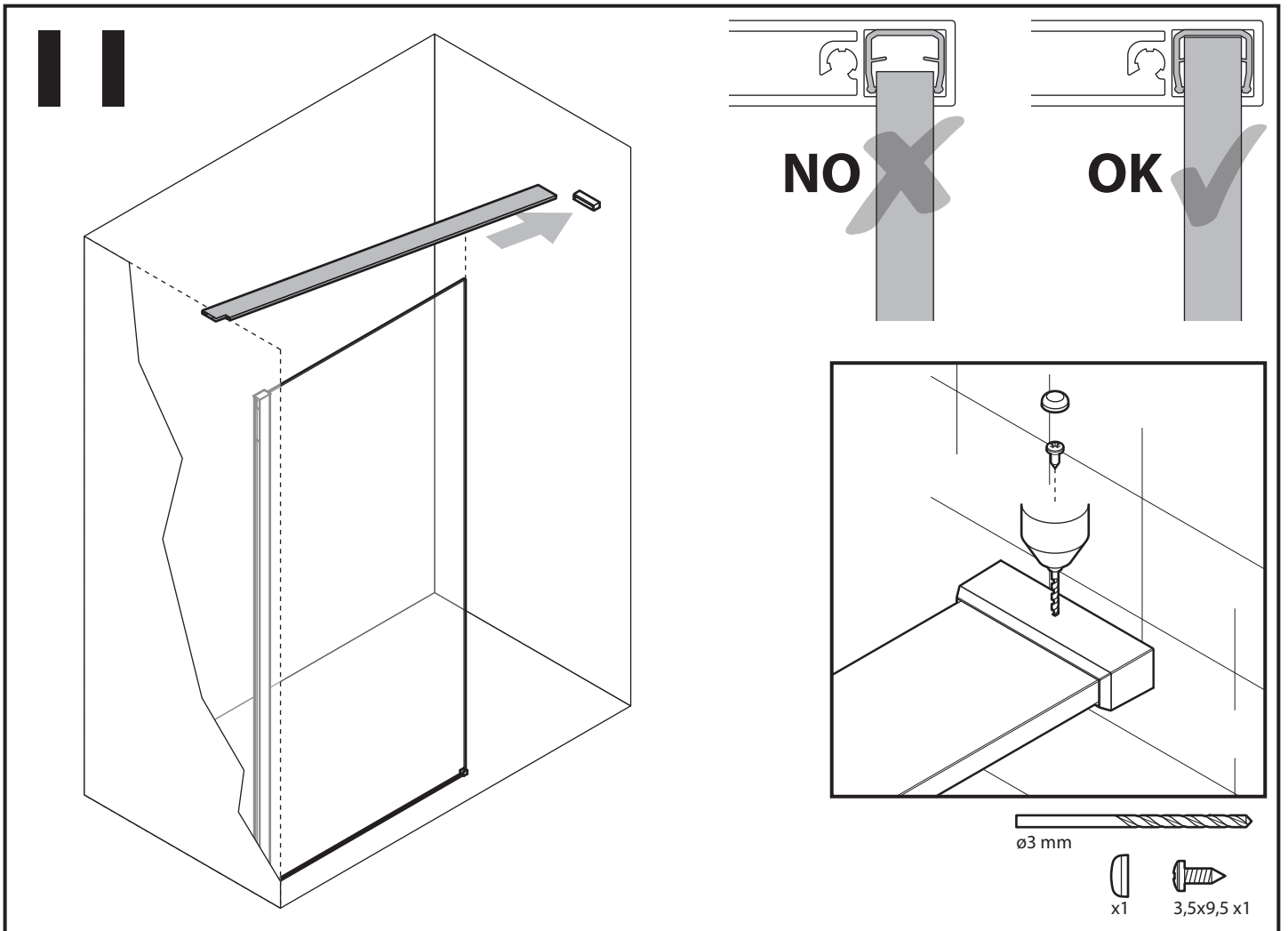
4,5x60 x2



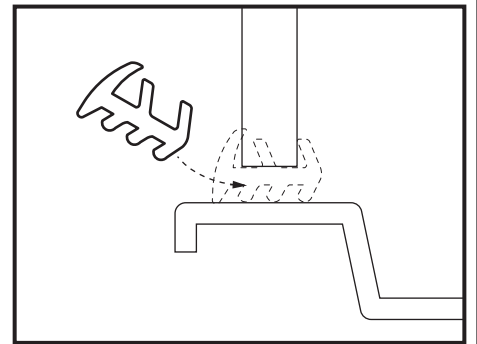
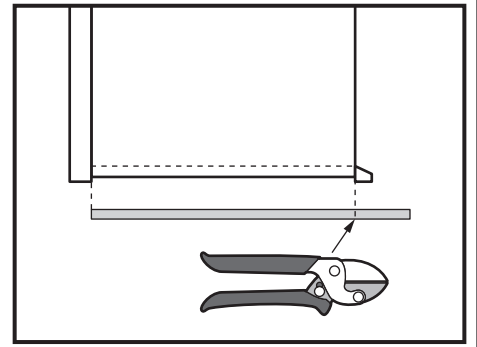
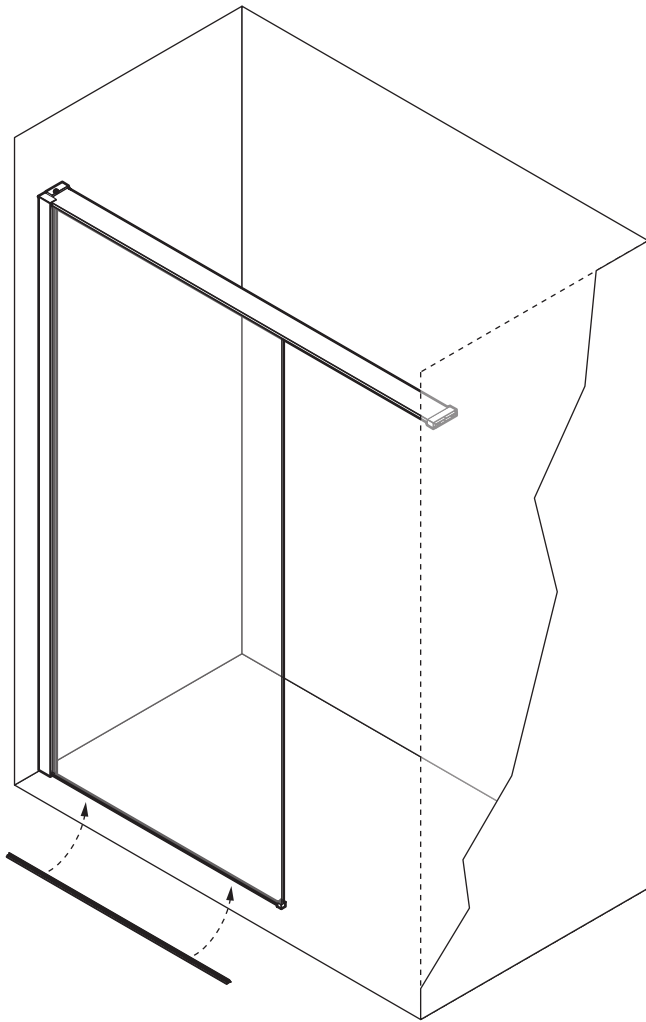
5,3x9,5x1 x2

10

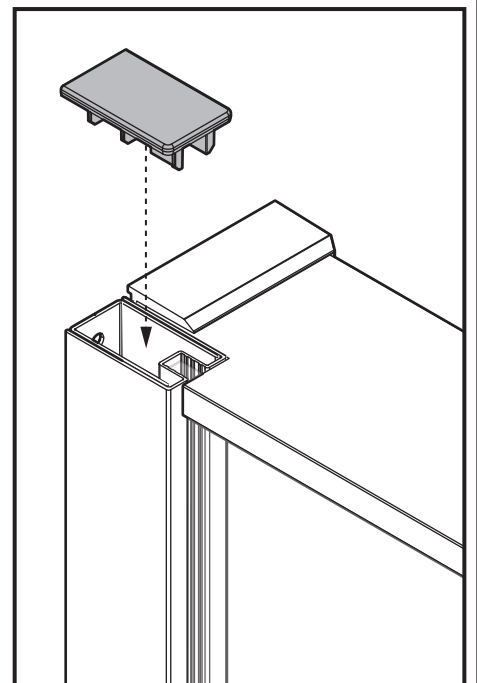
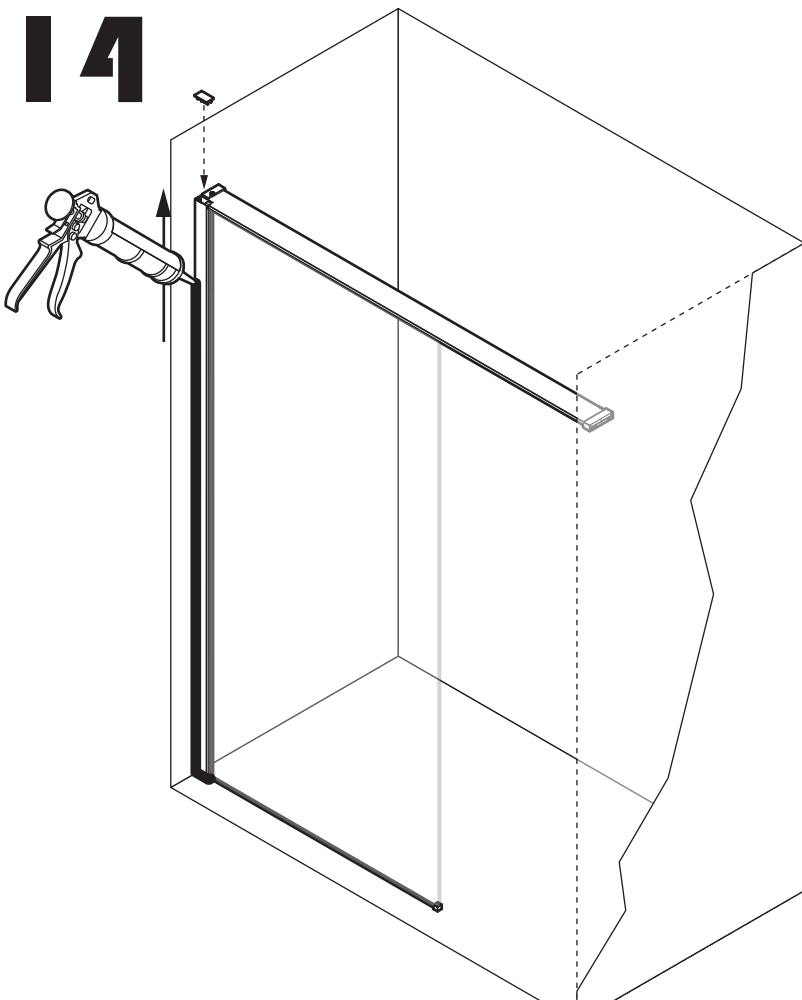


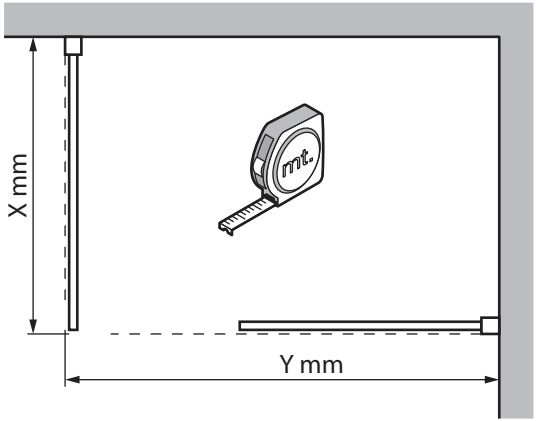
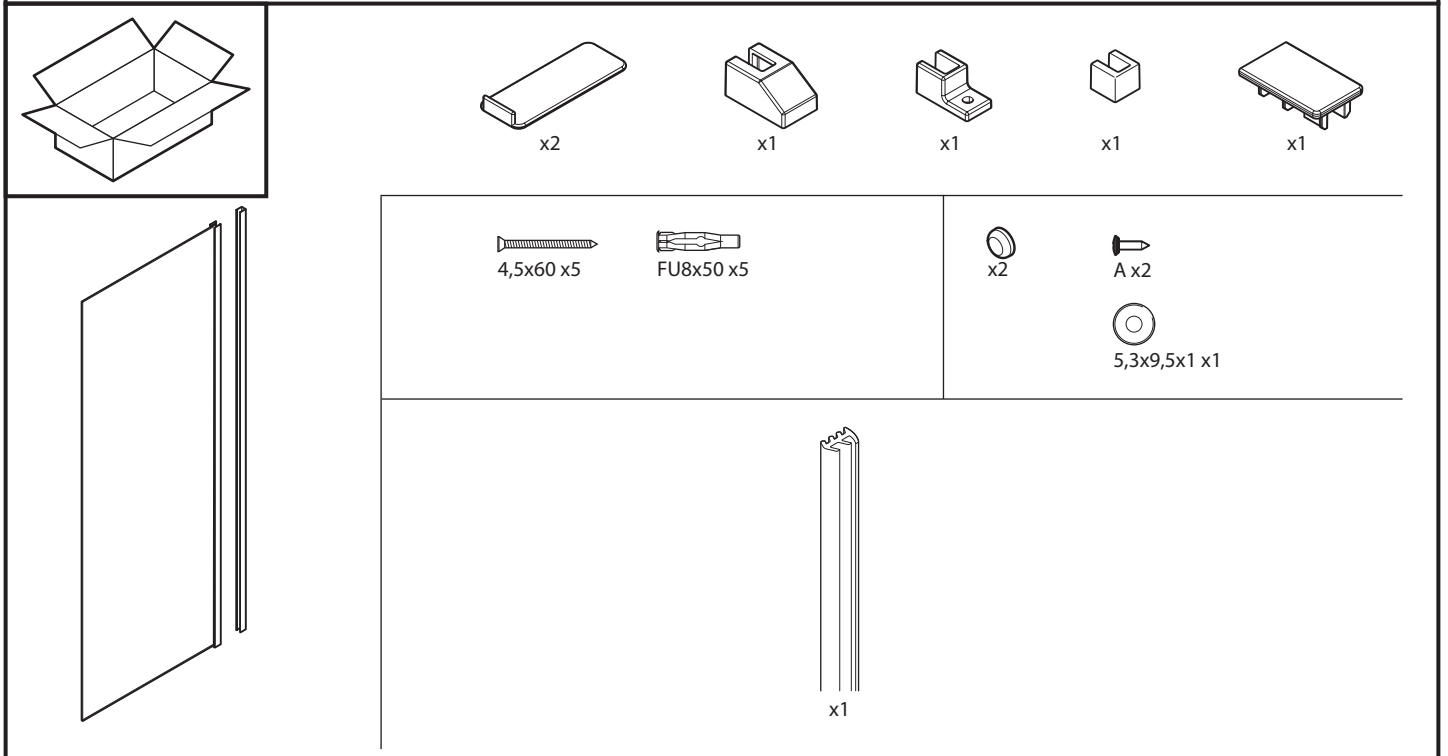
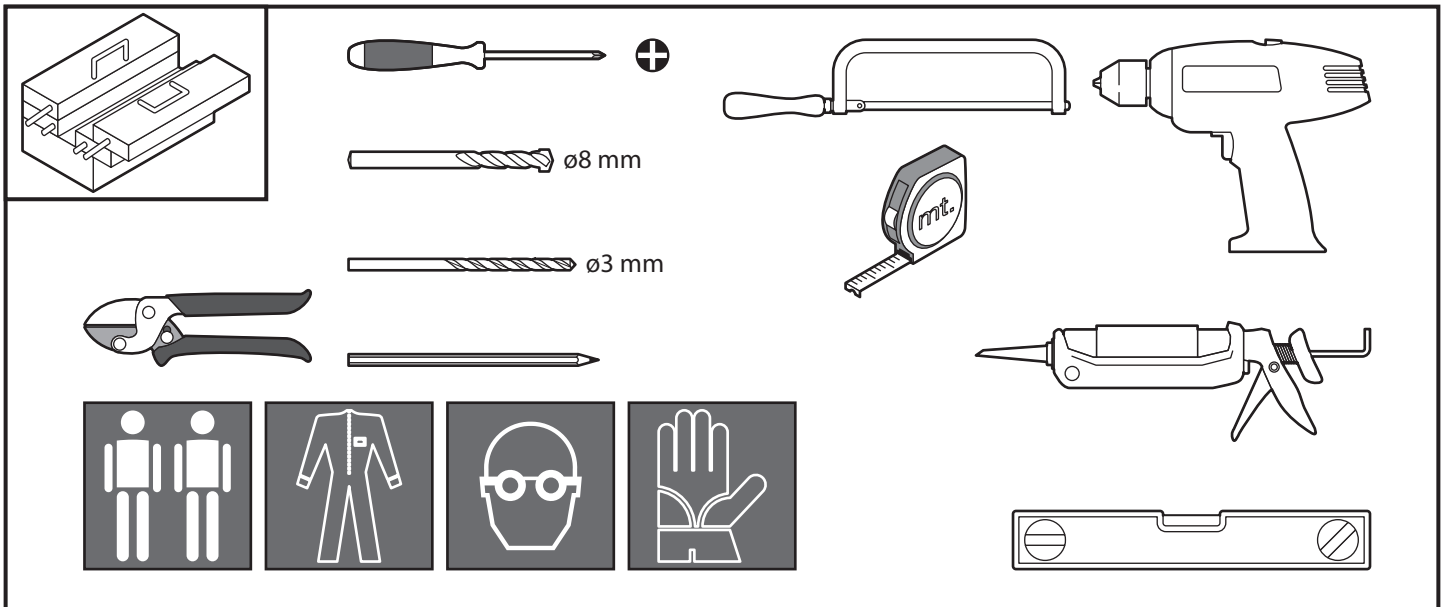


13

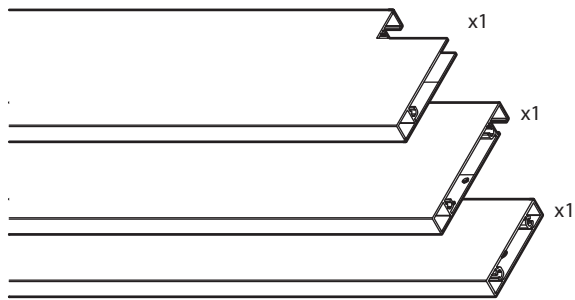
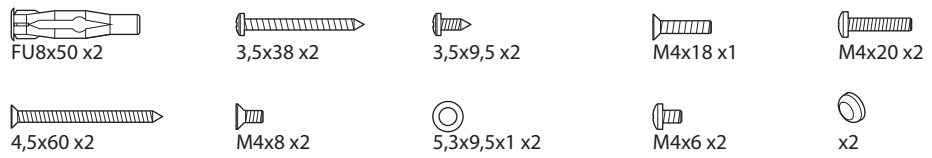
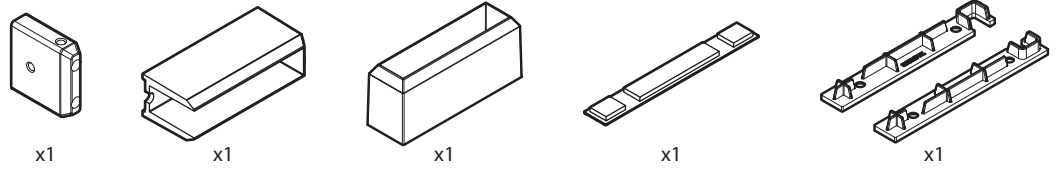
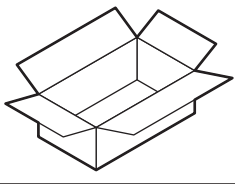
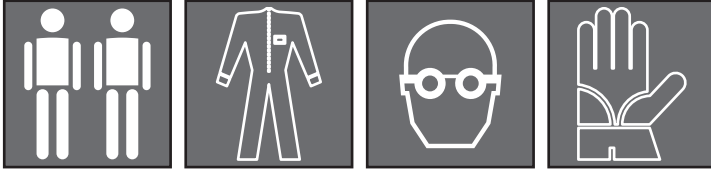
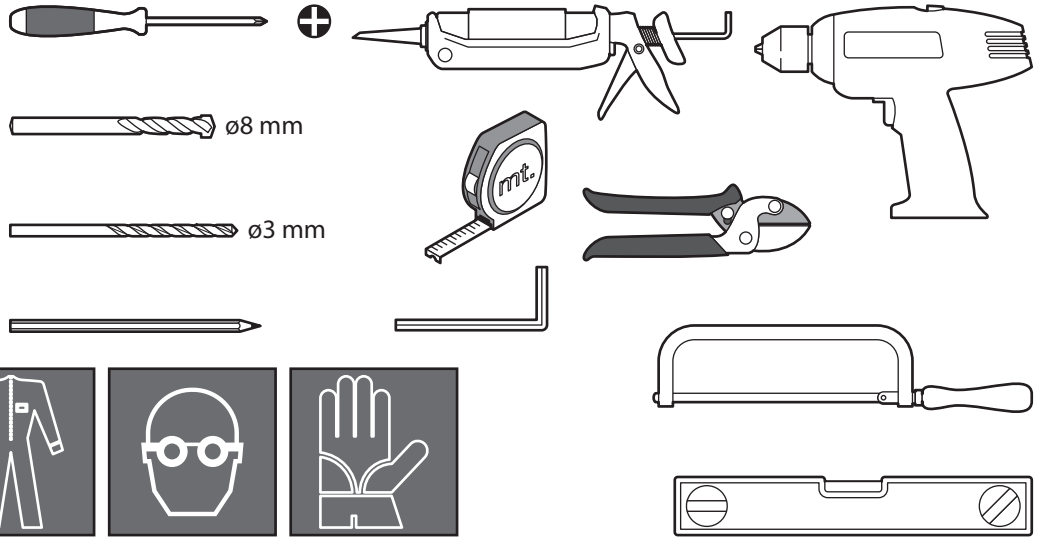
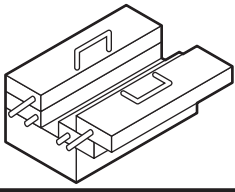


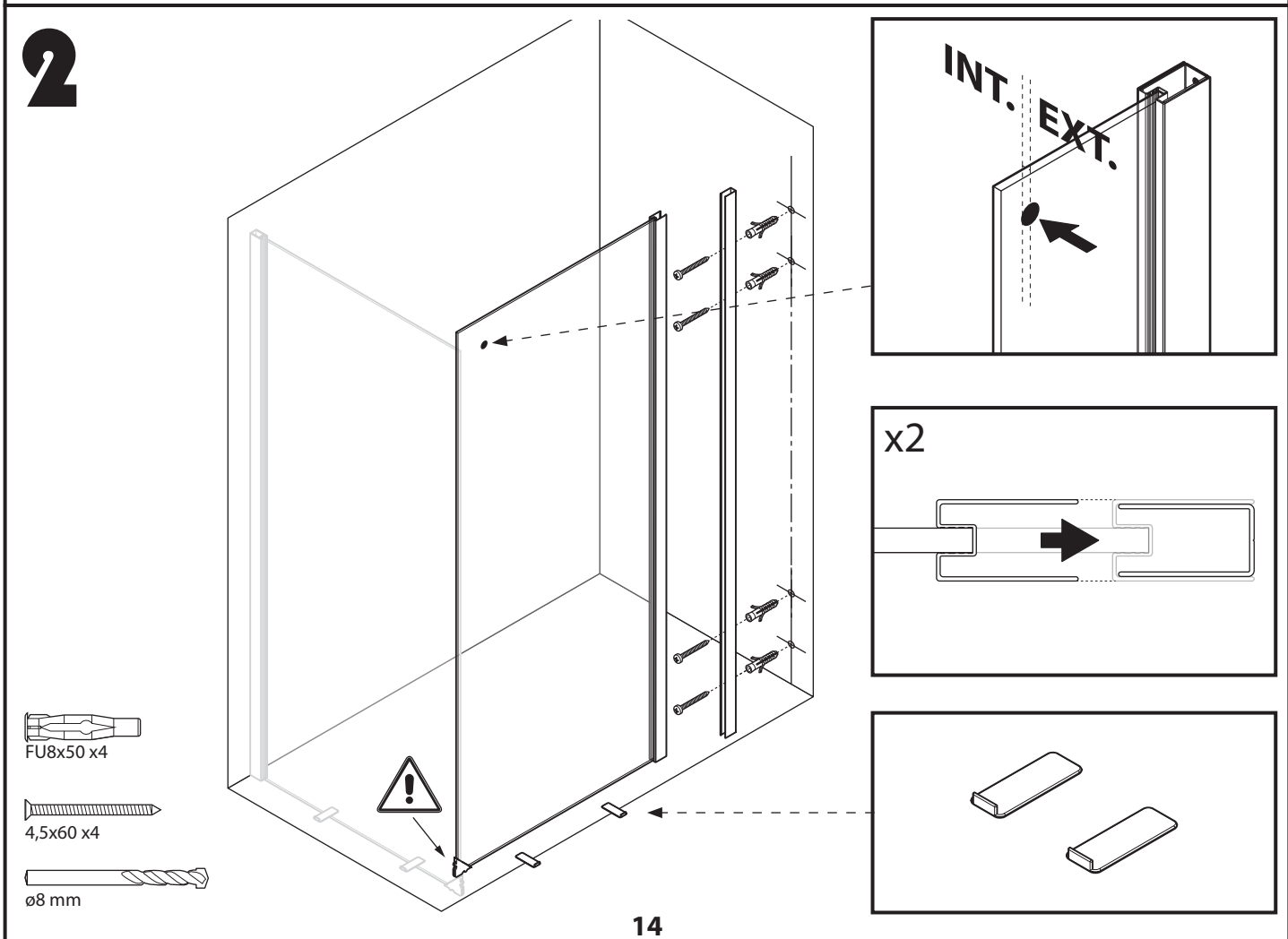
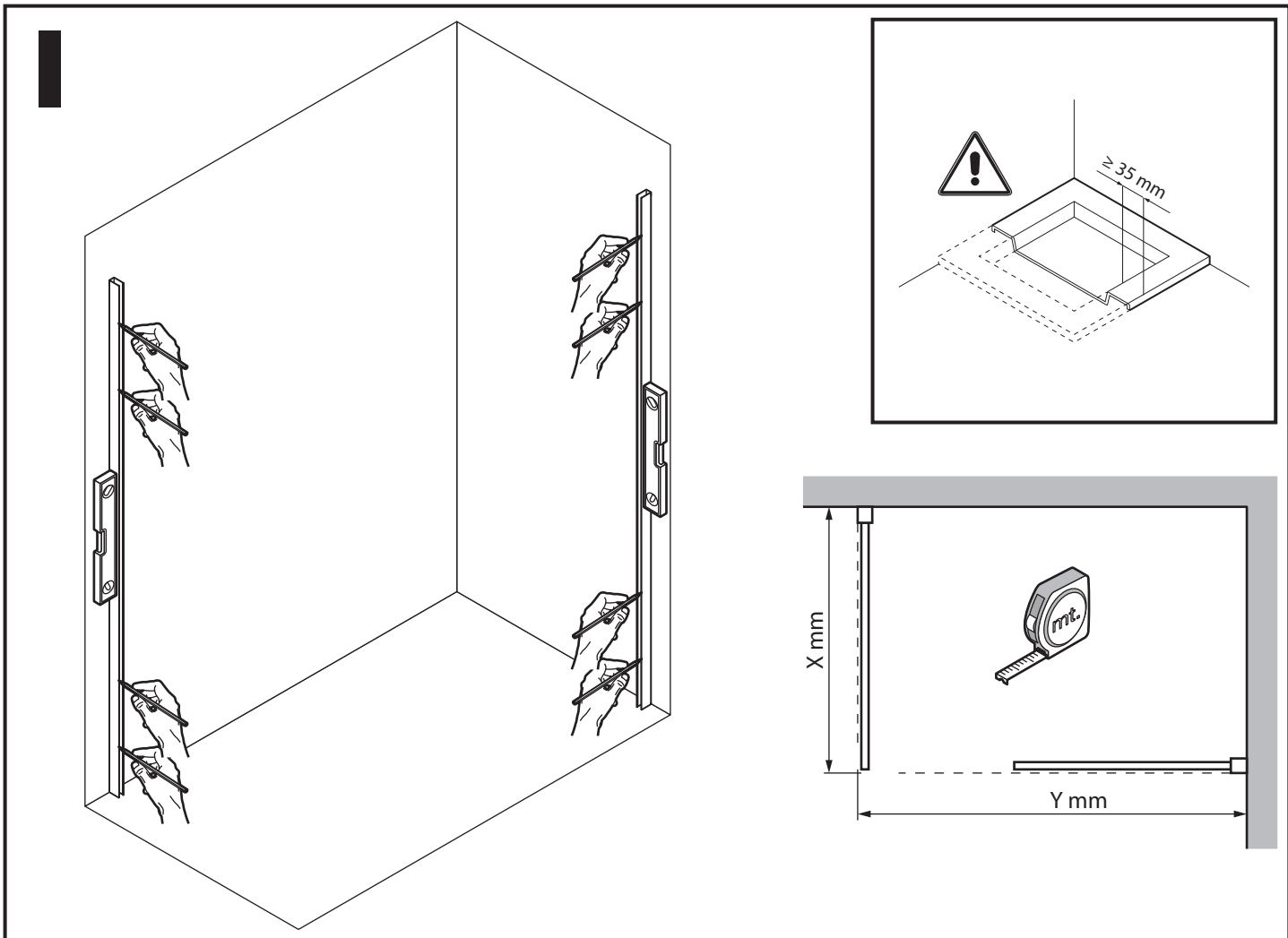
14



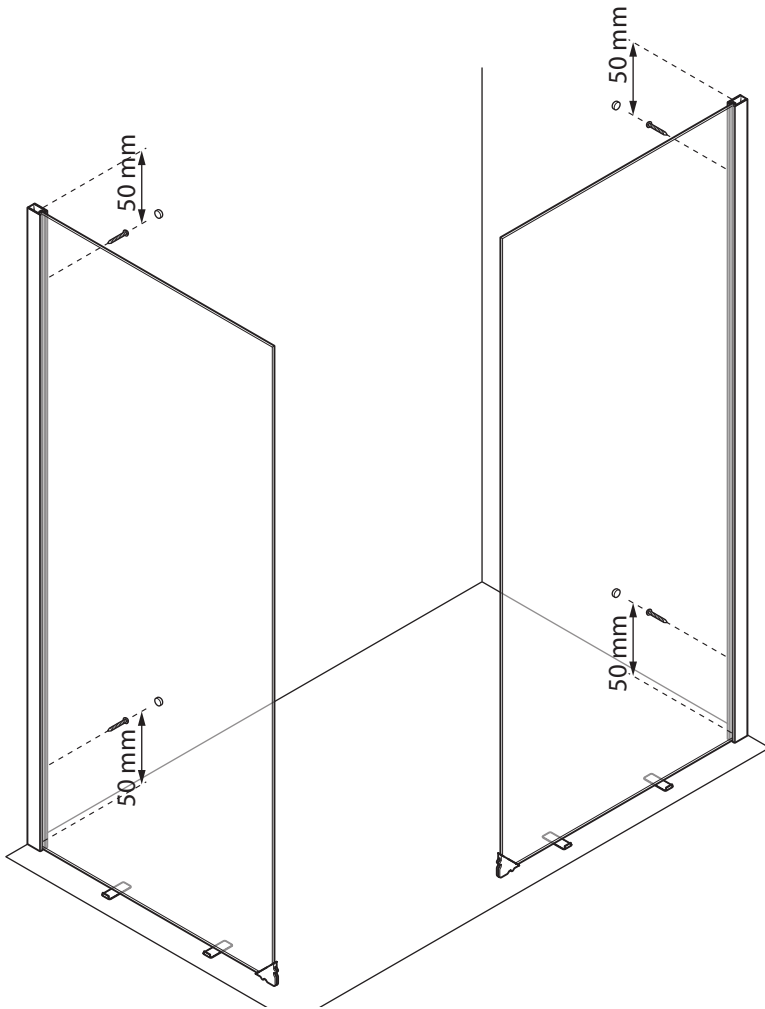


X mm	Y mm
H70= 679	Y120= 1171
H75= 729	Y140= 1371
H80= 779	Y150= 1471
H90= 879	Y160= 1571
H100= 979	Y170= 1671
	Y180= 1771

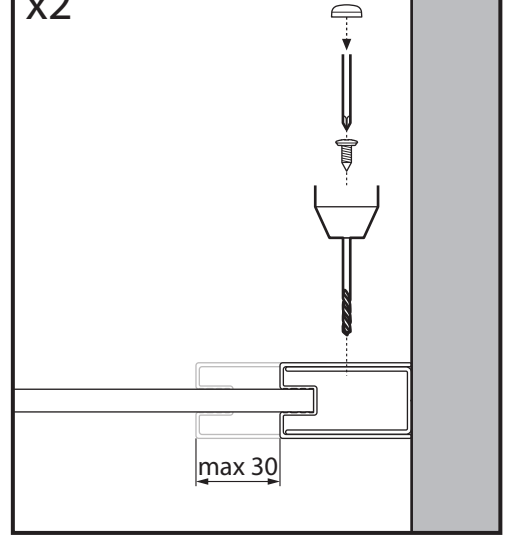




3



x2



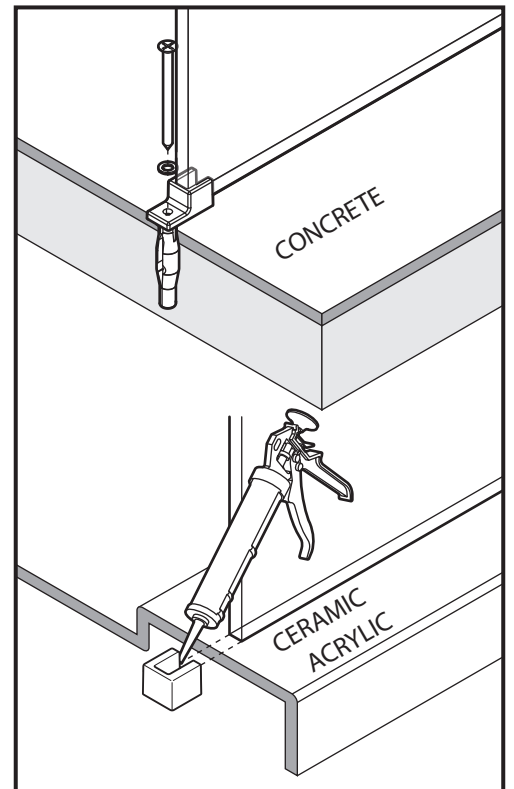
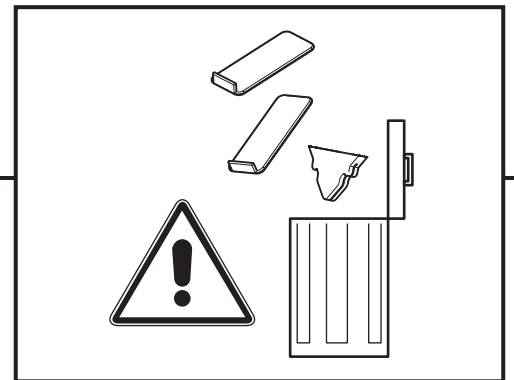
$\varnothing 3$ mm



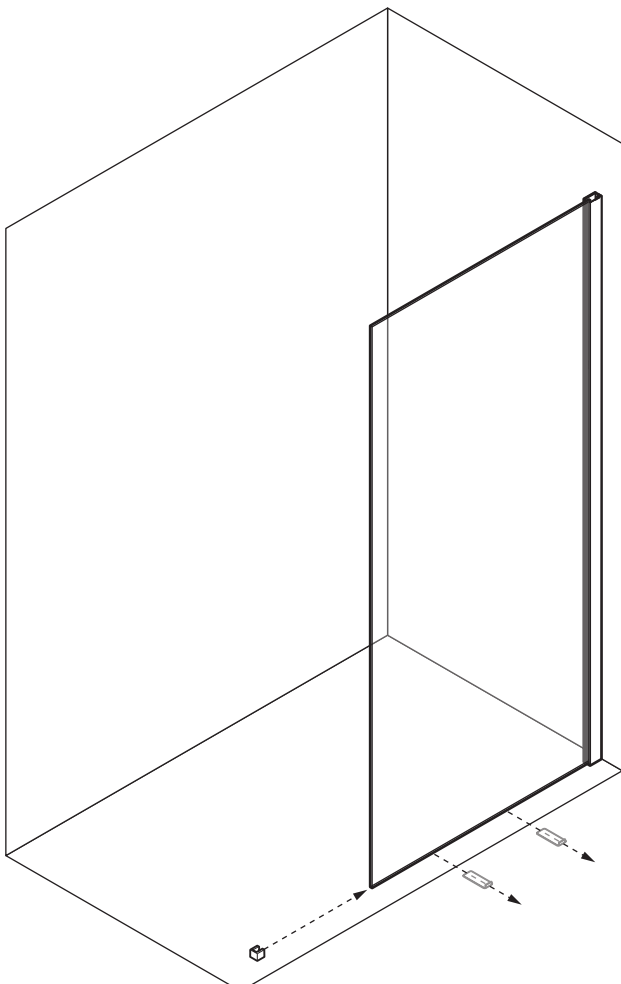
x2



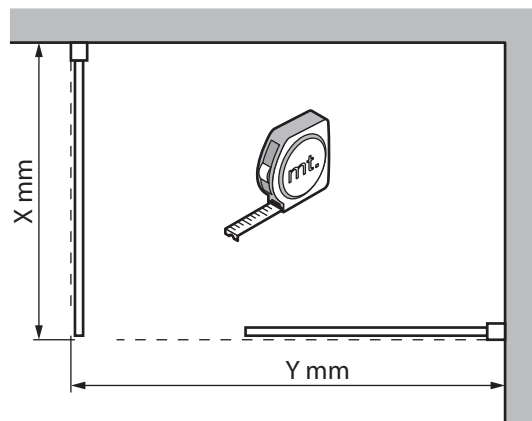
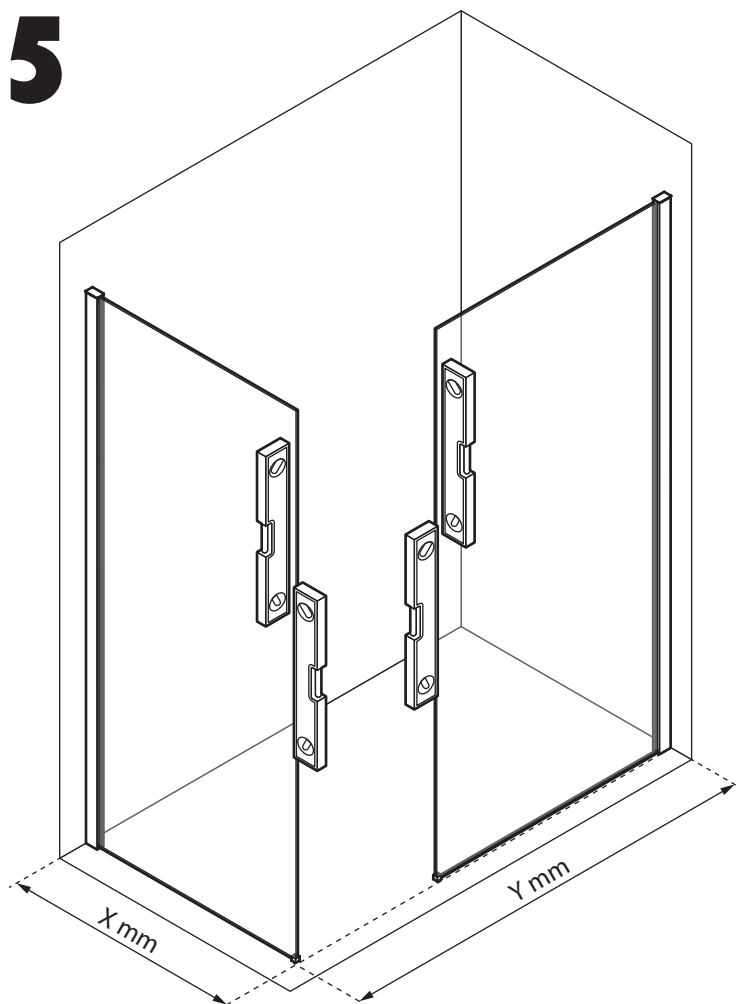
3,5x9,5 x2



4

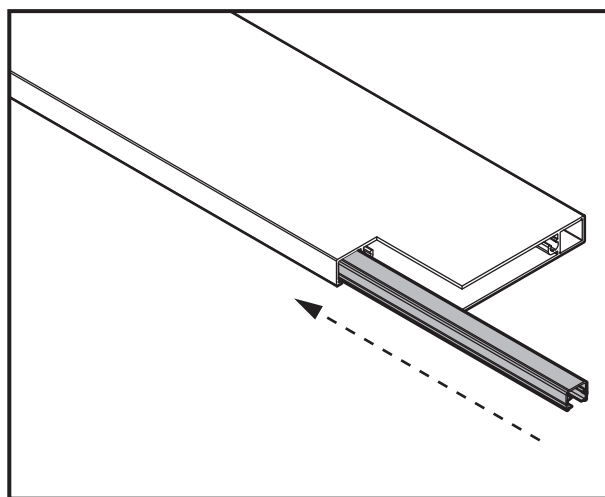
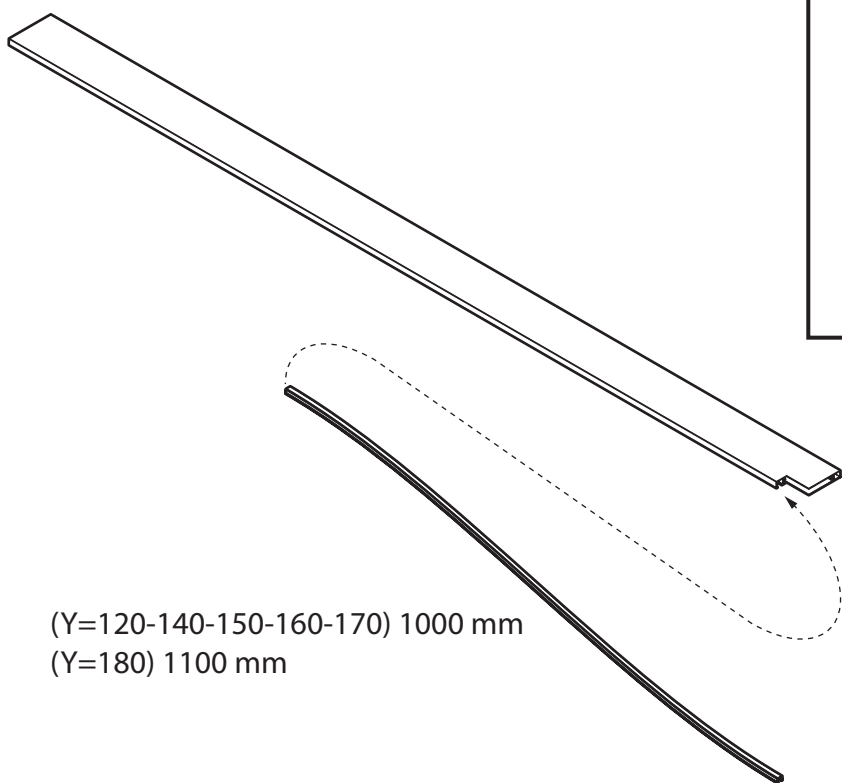


5



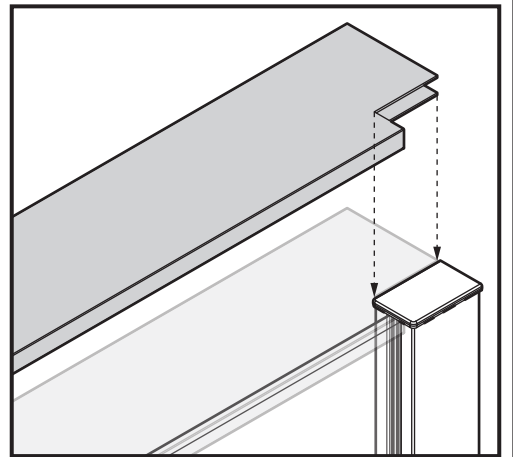
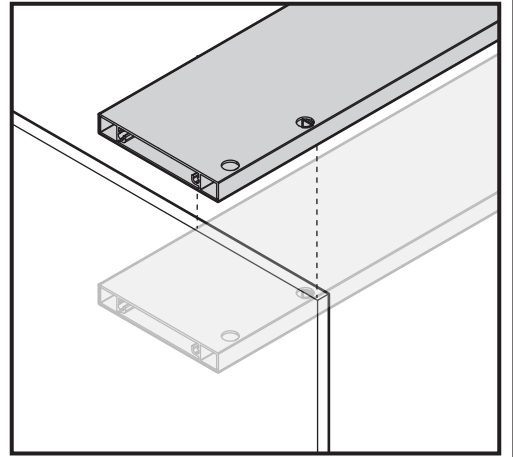
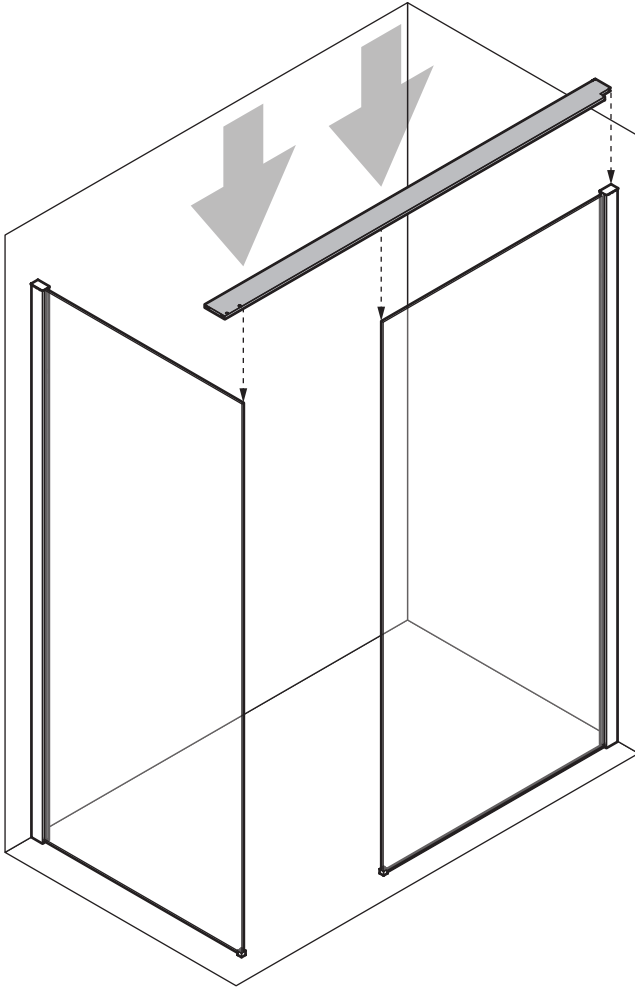
X mm	Y mm
H70= 679	Y120= 1171
H75= 729	Y140= 1371
H80= 779	Y150= 1471
H90= 879	Y160= 1571
H100= 979	Y170= 1671
	Y180= 1771

6

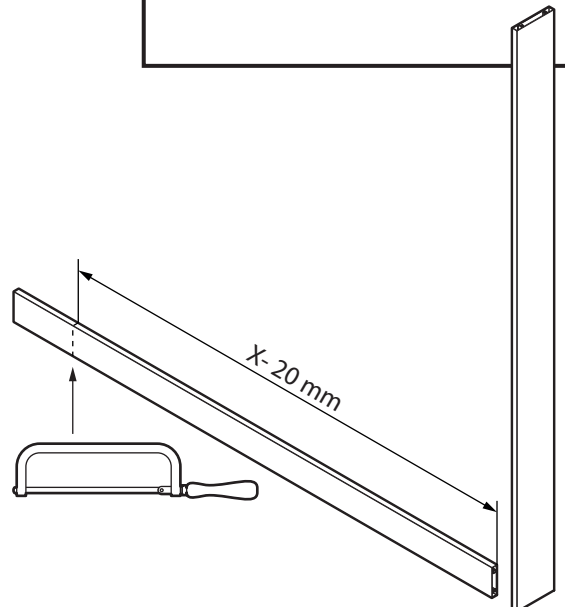
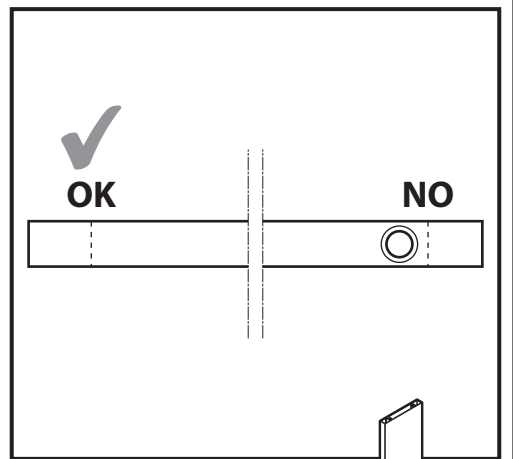
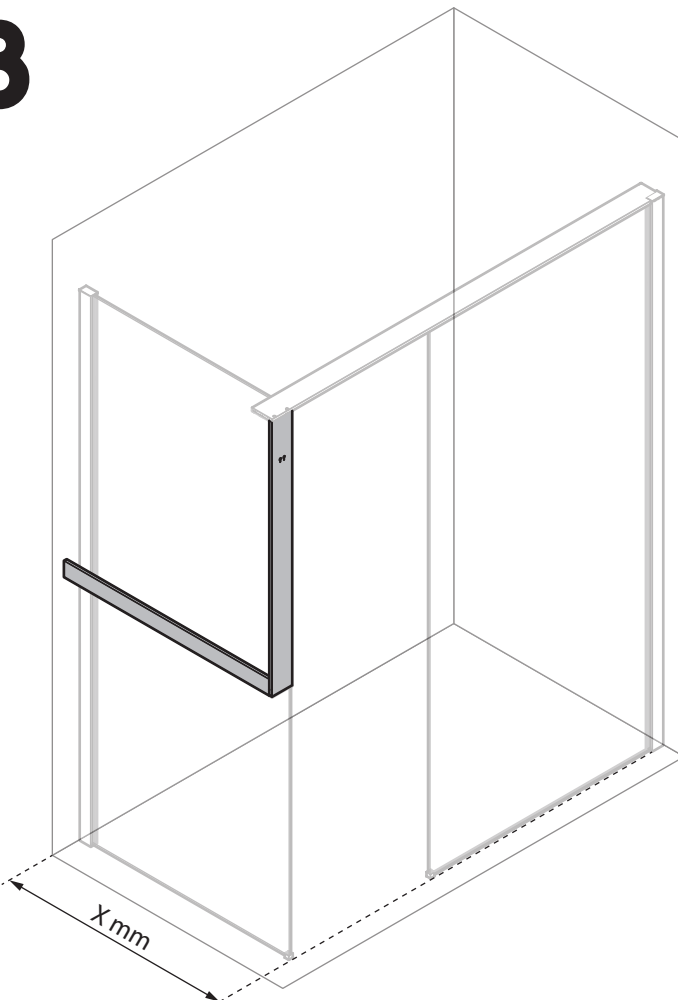


(Y=120-140-150-160-170) 1000 mm
(Y=180) 1100 mm

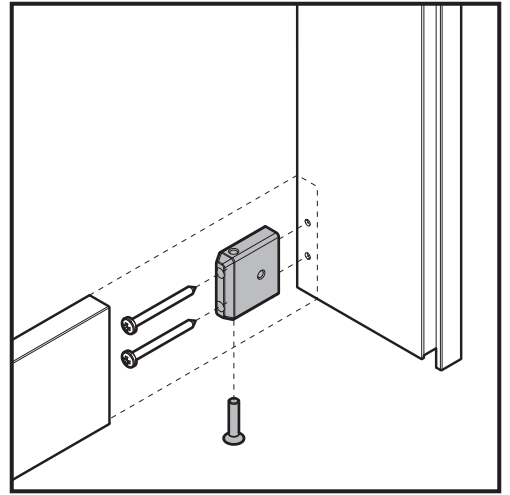
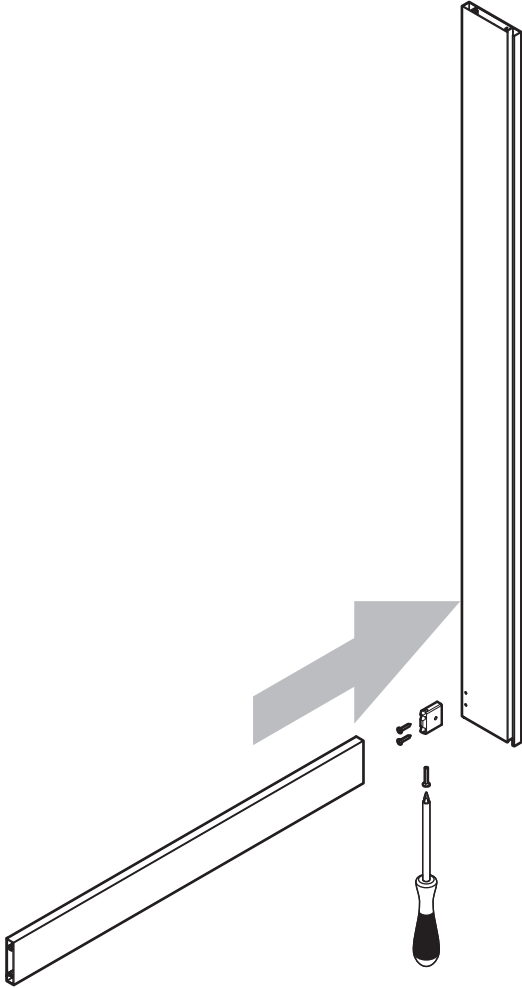
7



8



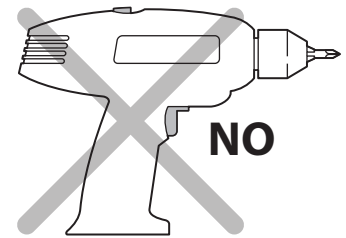
9



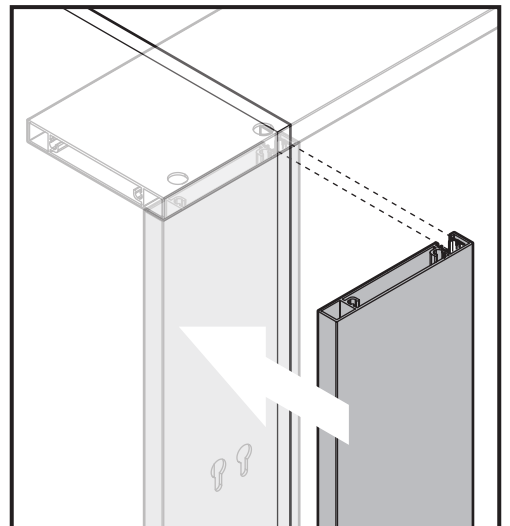
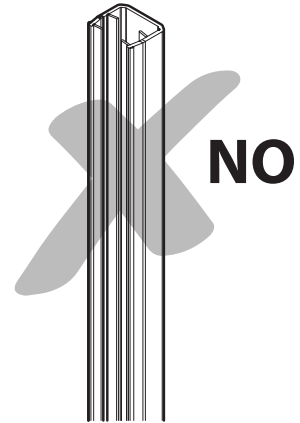
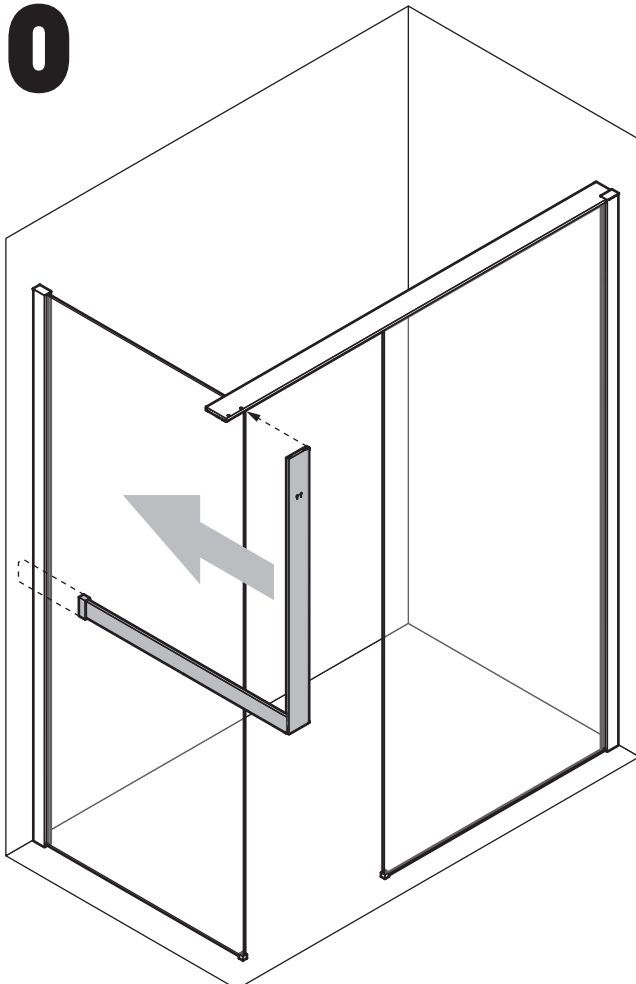
3,5x38 x2

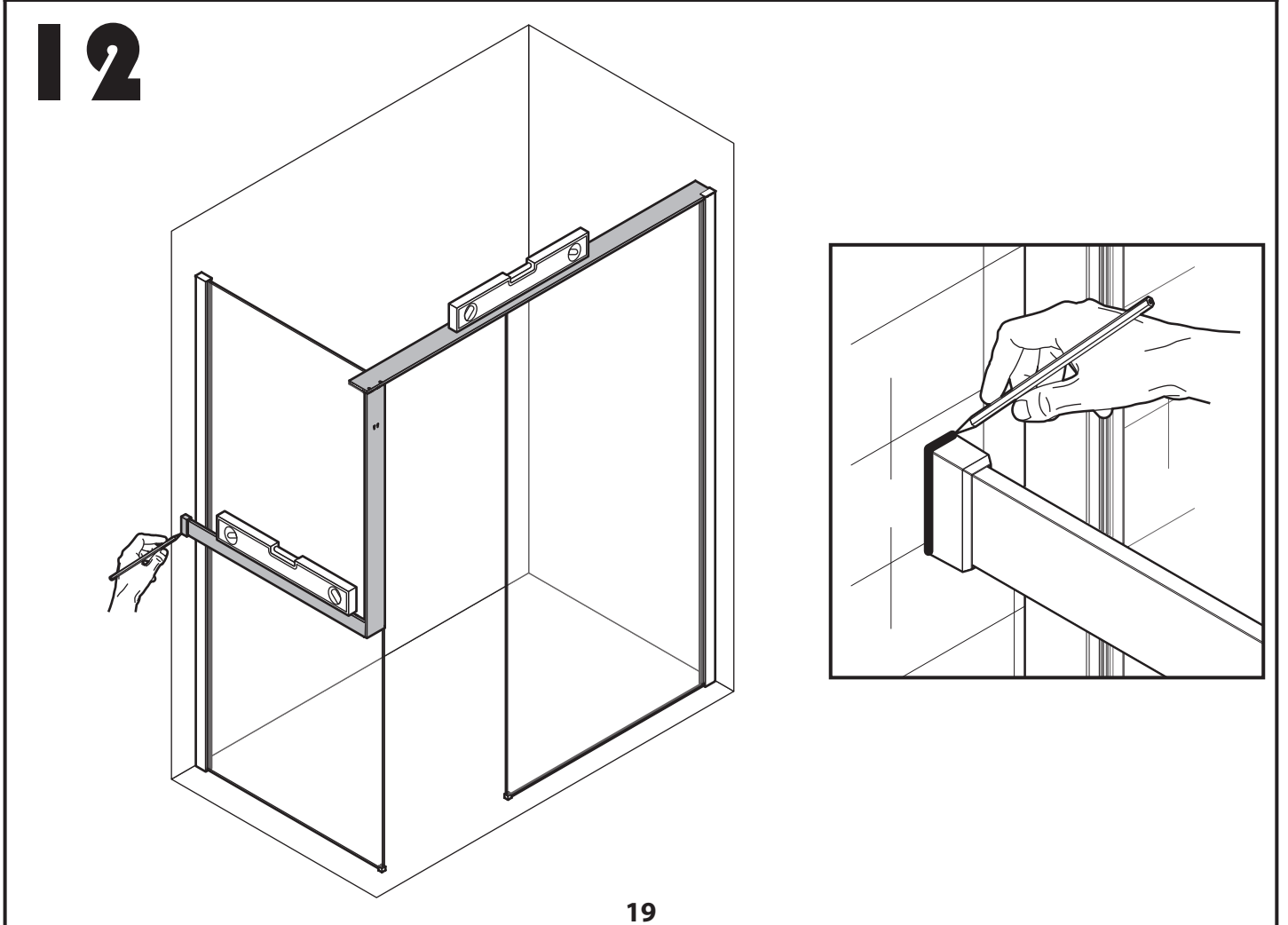
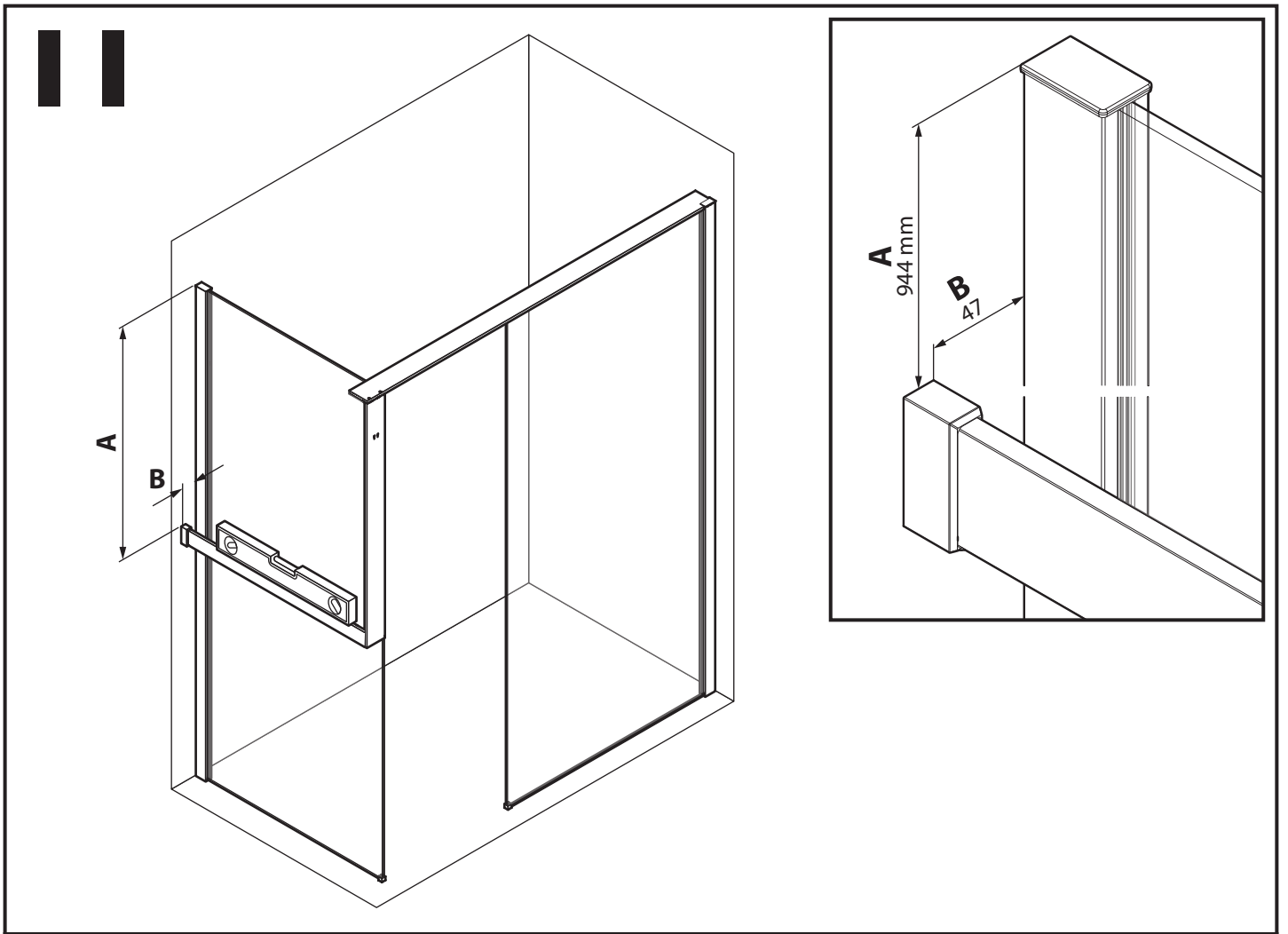


M4x18 x1

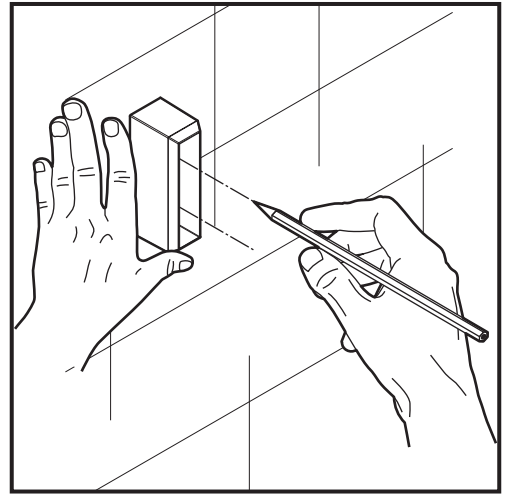
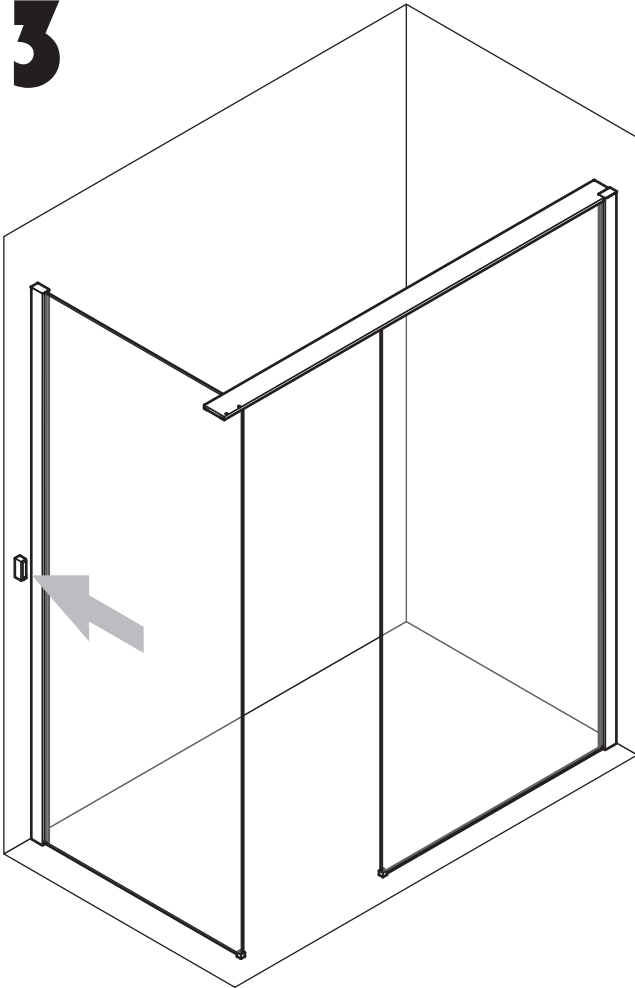


10

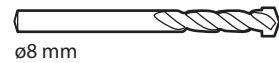
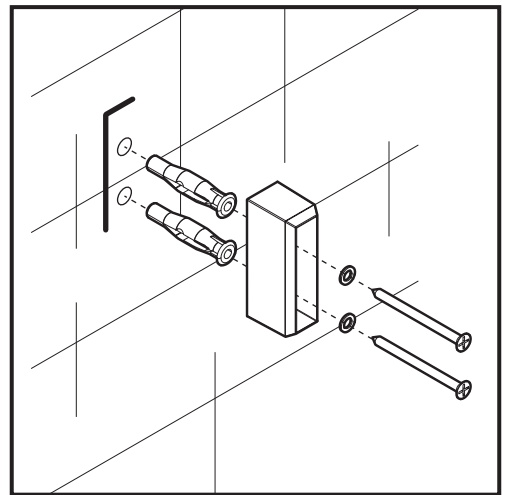
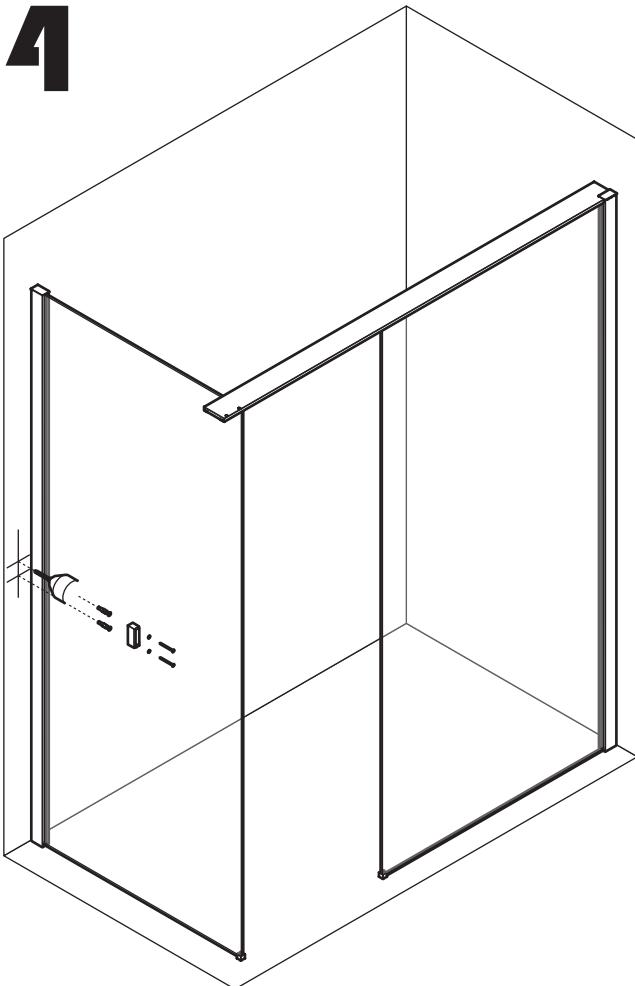




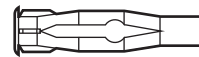
13



14



ø8 mm



FU8x50 x2

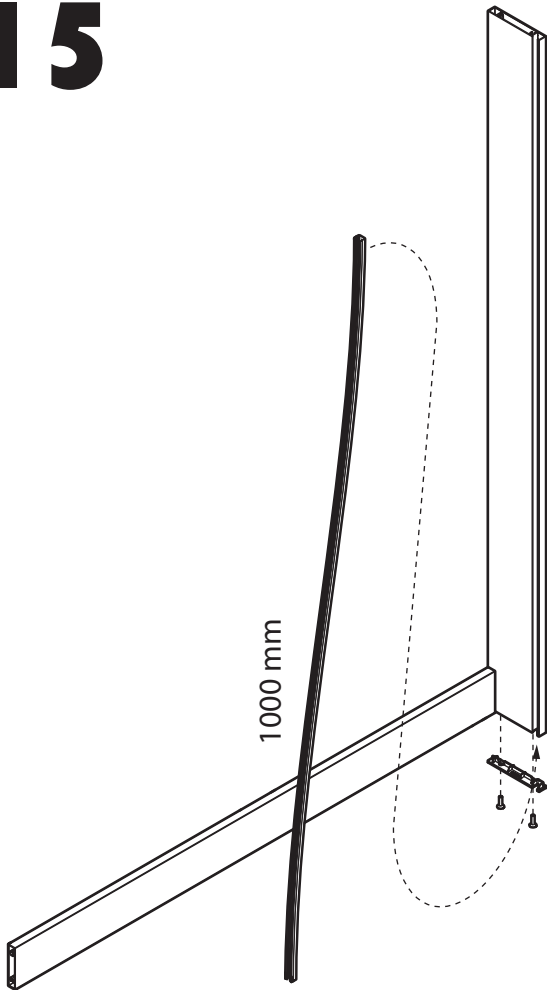


4,5x60 x2

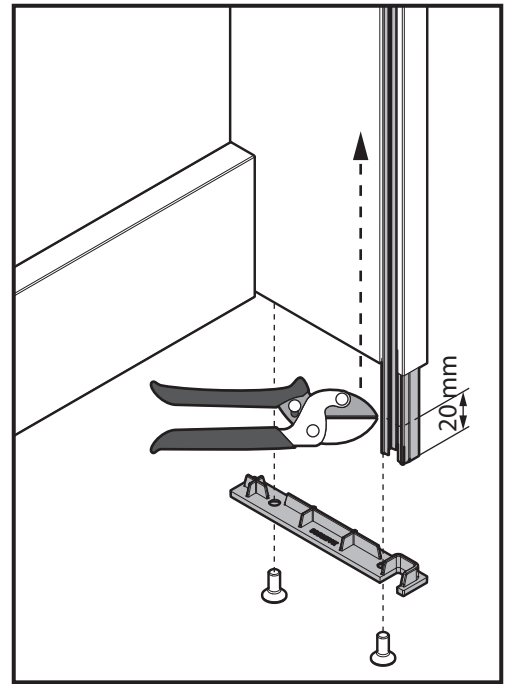


5,3x9,5x1 x2

15



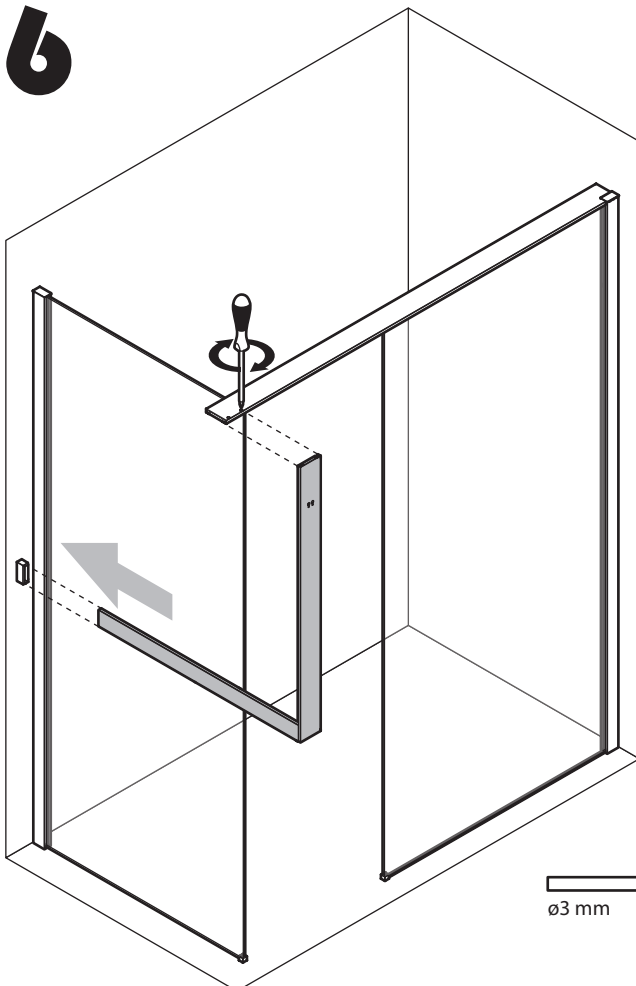
1000 mm



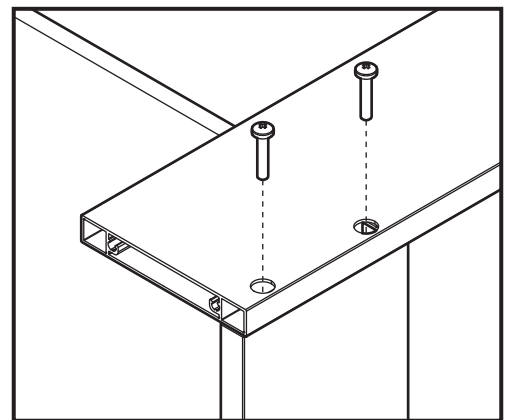
M4x8 x2



16



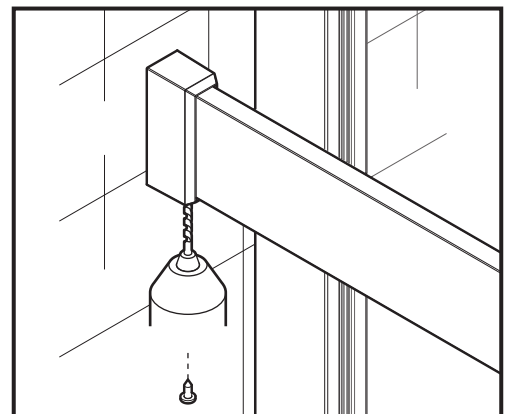
M4x20 x2



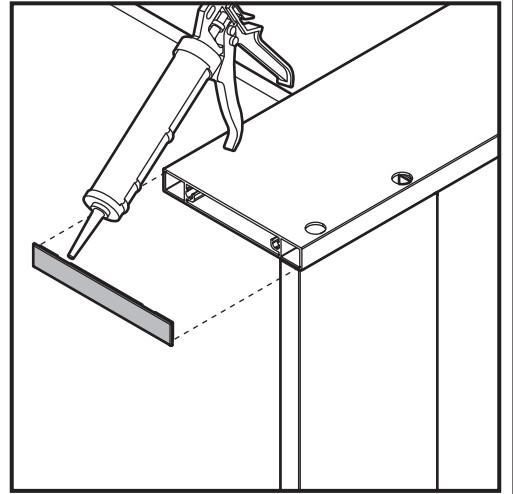
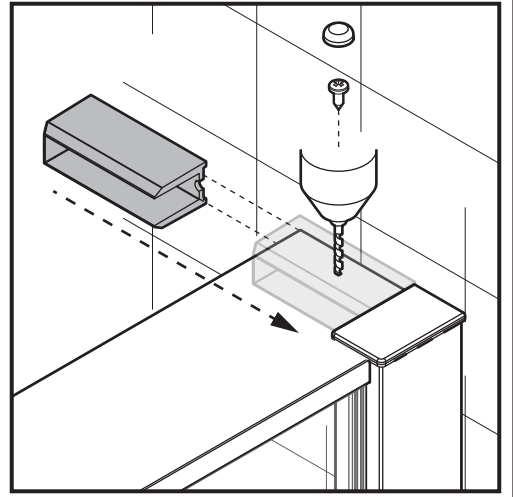
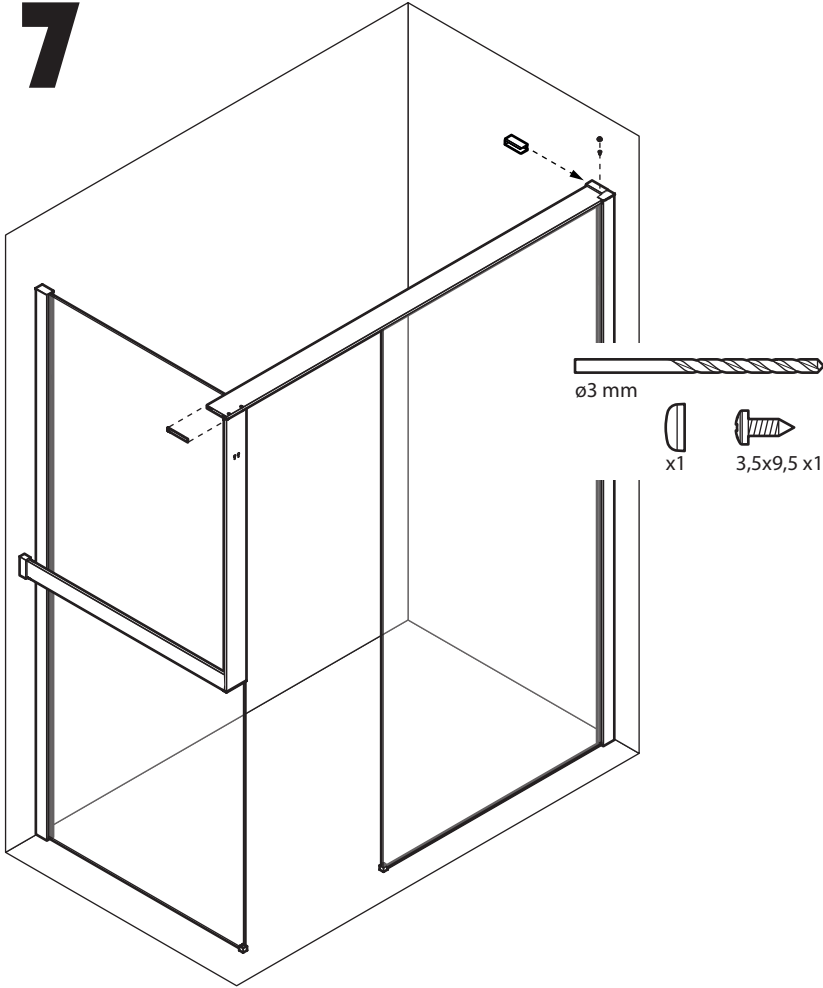
ø3 mm



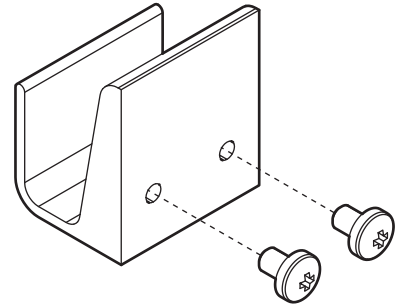
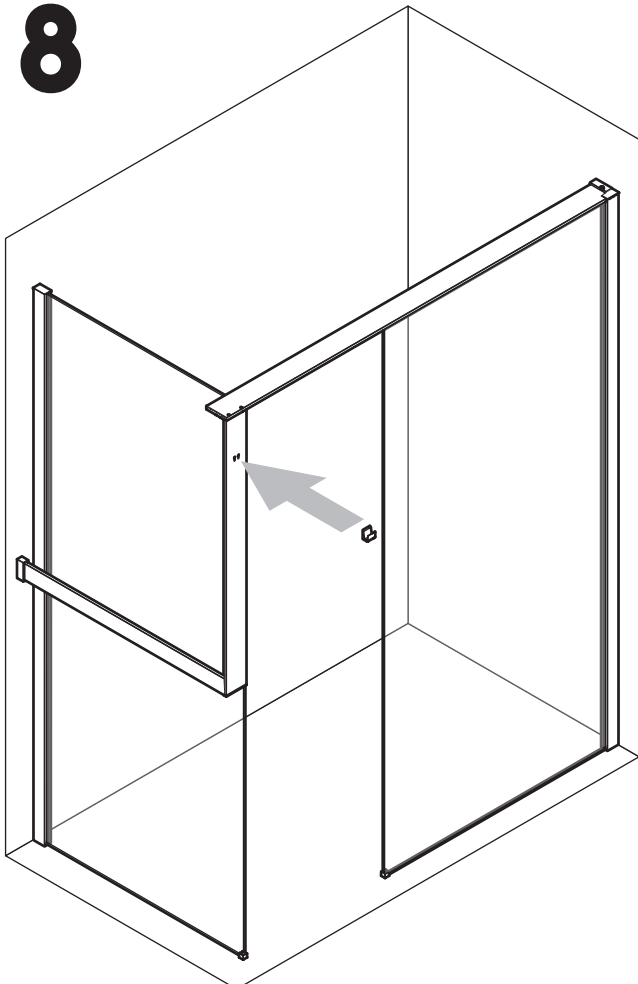
3,5x9,5 x1



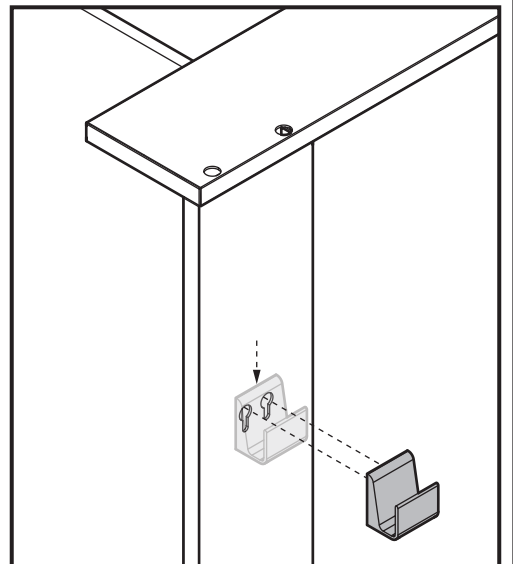
17



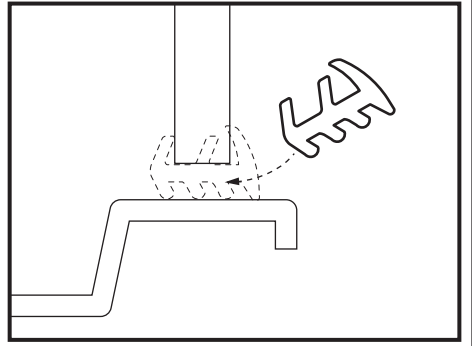
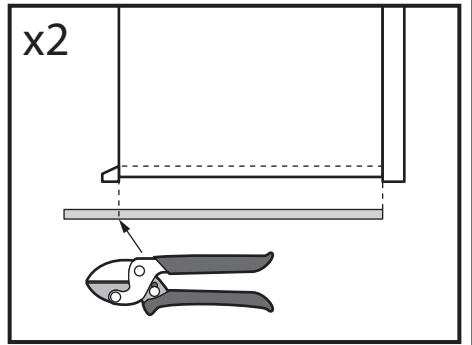
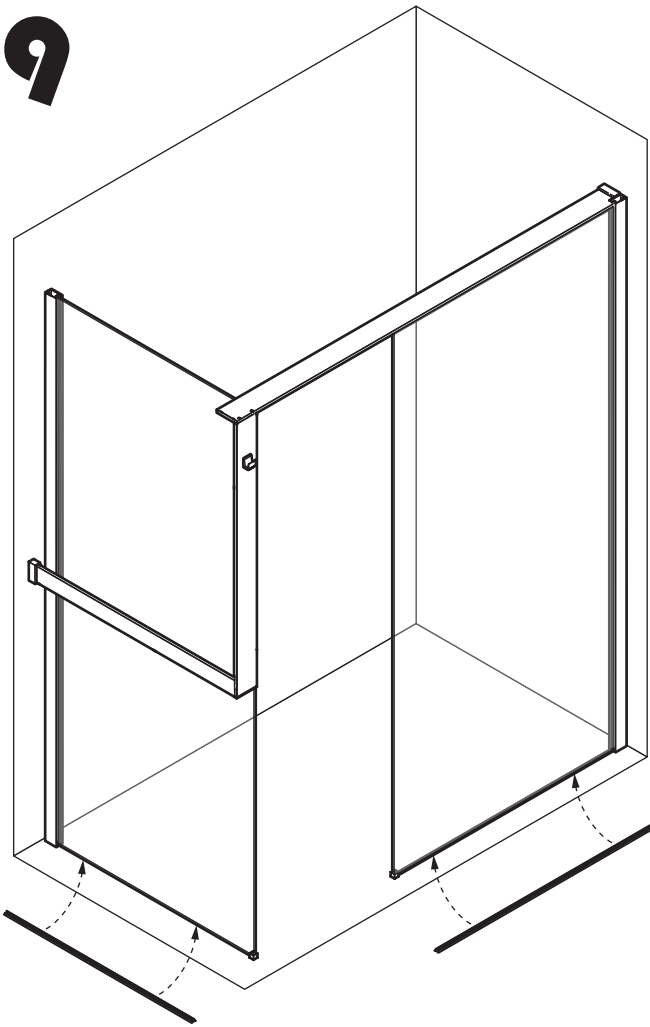
18



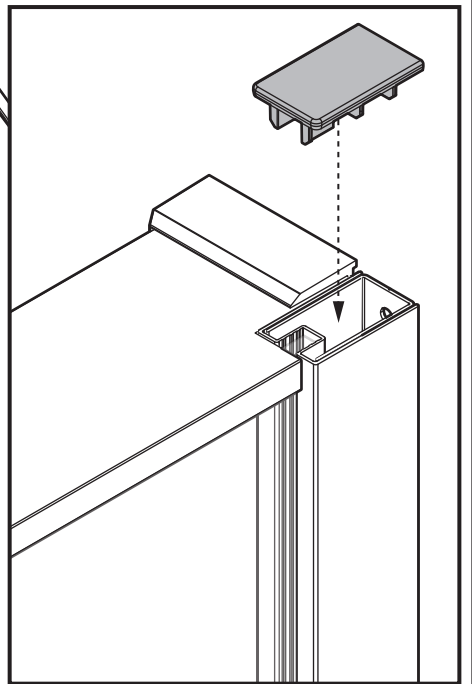
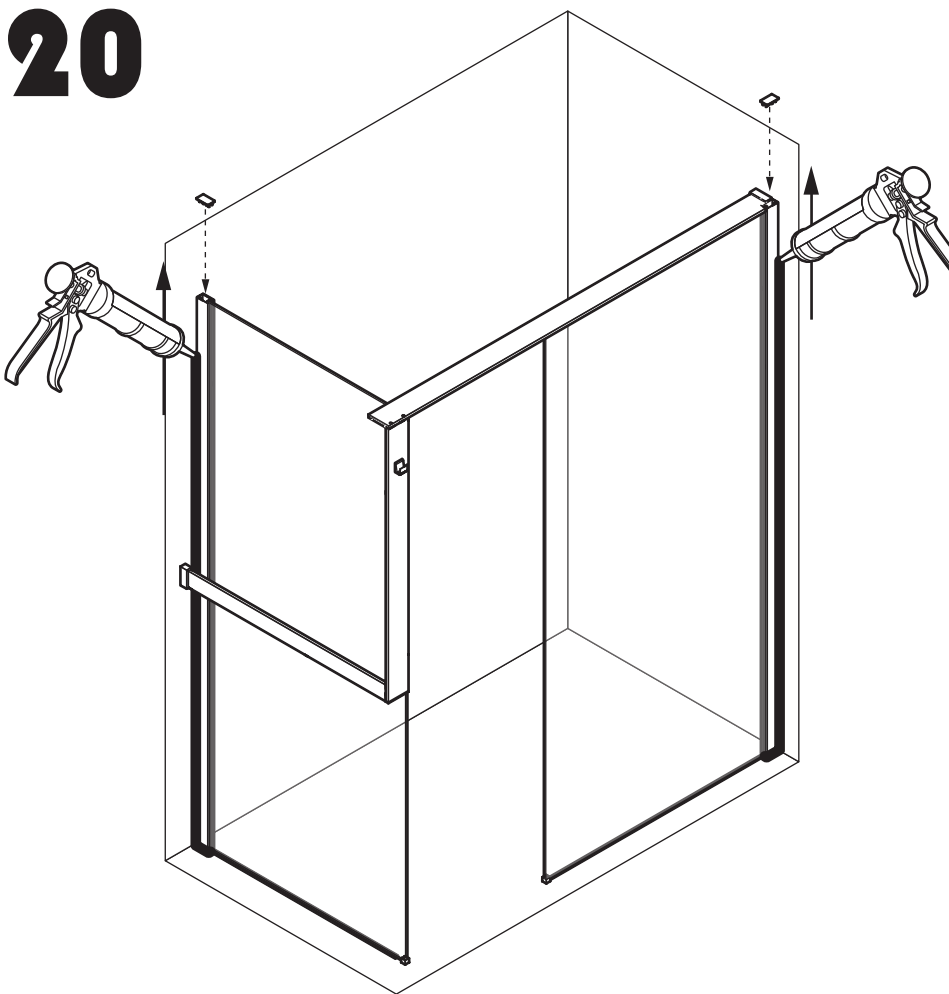
M4x6 x2

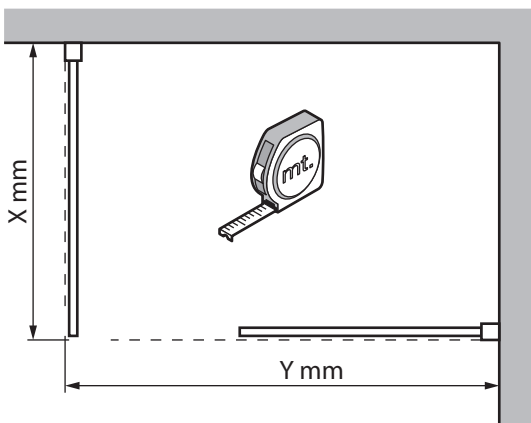
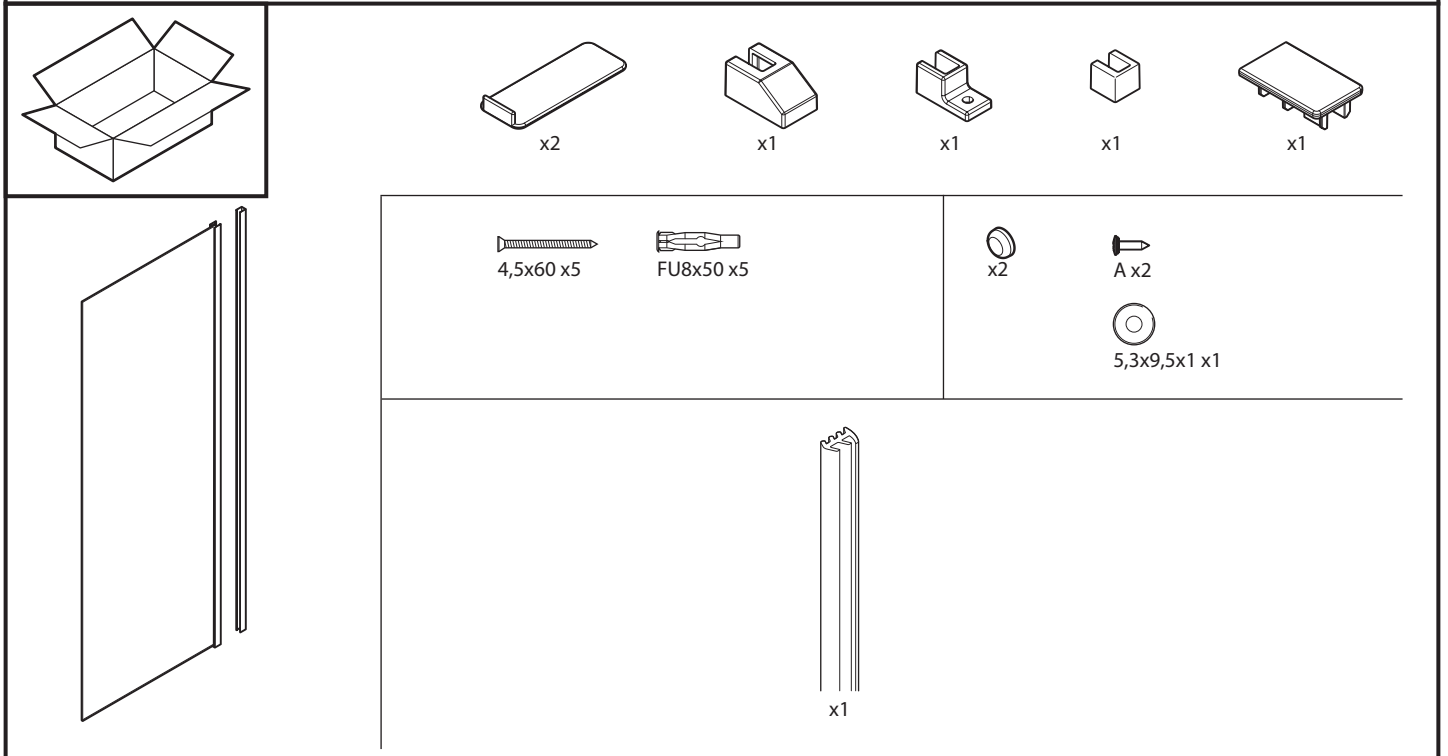
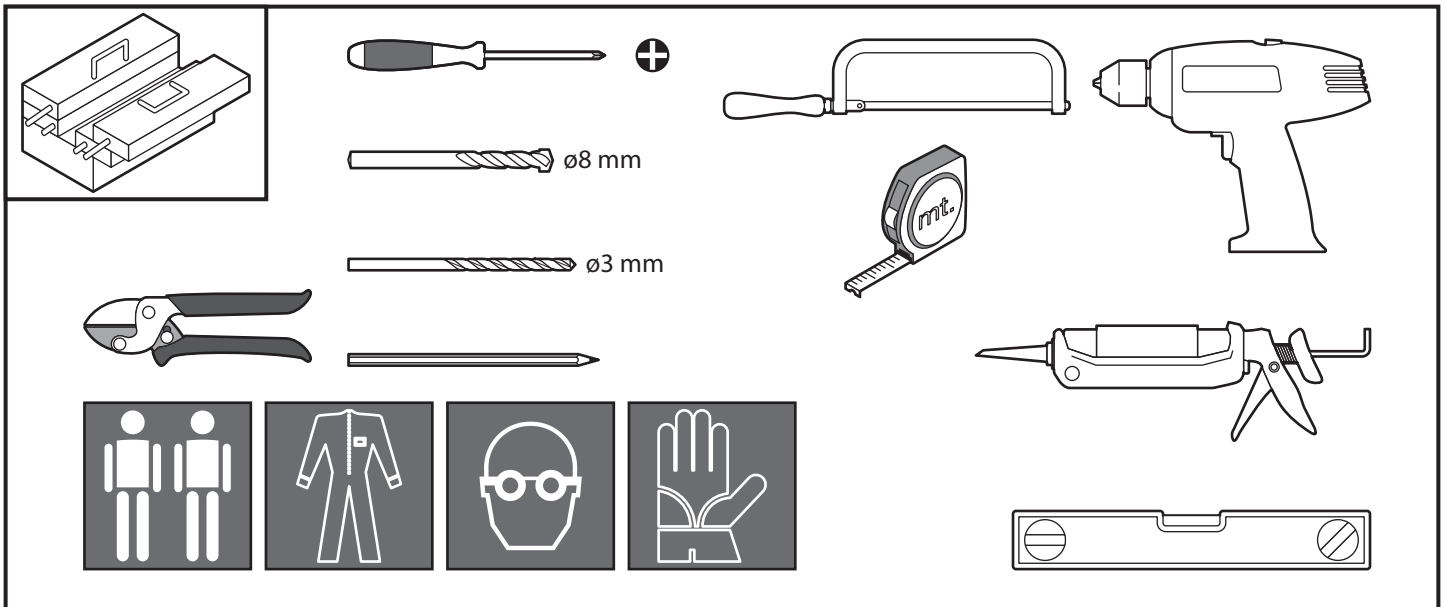


19

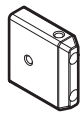
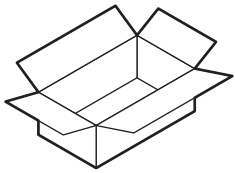
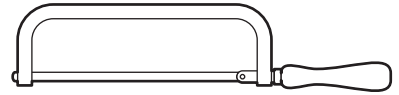
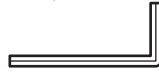
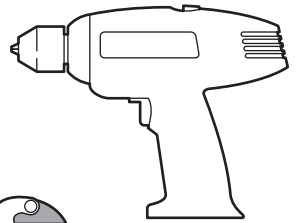
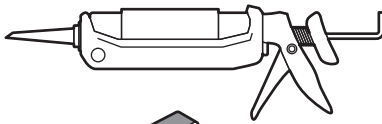
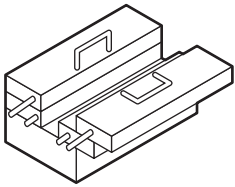


20

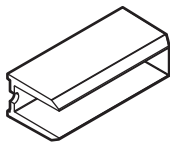




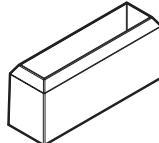
X mm	Y mm
H70= 679	Y120= 1171
H75= 729	Y140= 1371
H80= 779	Y150= 1471
H90= 879	Y160= 1571
H100= 979	Y170= 1671
	Y180= 1771



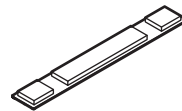
x1



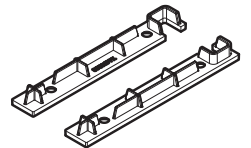
x1



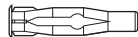
x1



x1



x1



FU8x50 x2



3,5x38 x2



3,5x9,5 x2



x2



M4x20 x2



4,5x60 x2



M4x8 x2



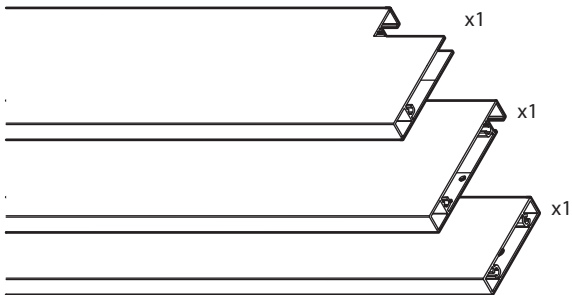
5,3x9,5x1 x2



M4x6 x2



M4x8 x1



x1

x1

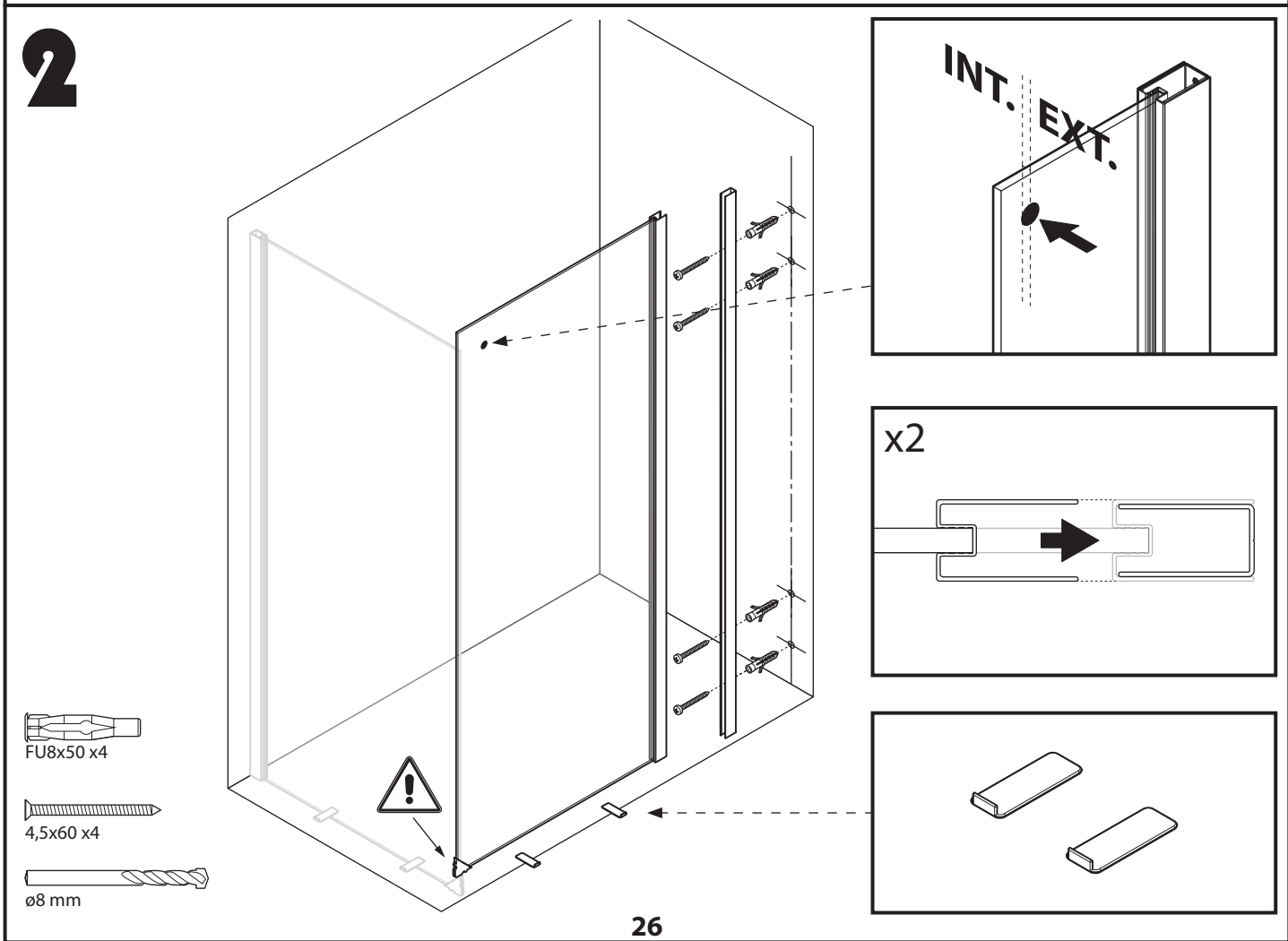
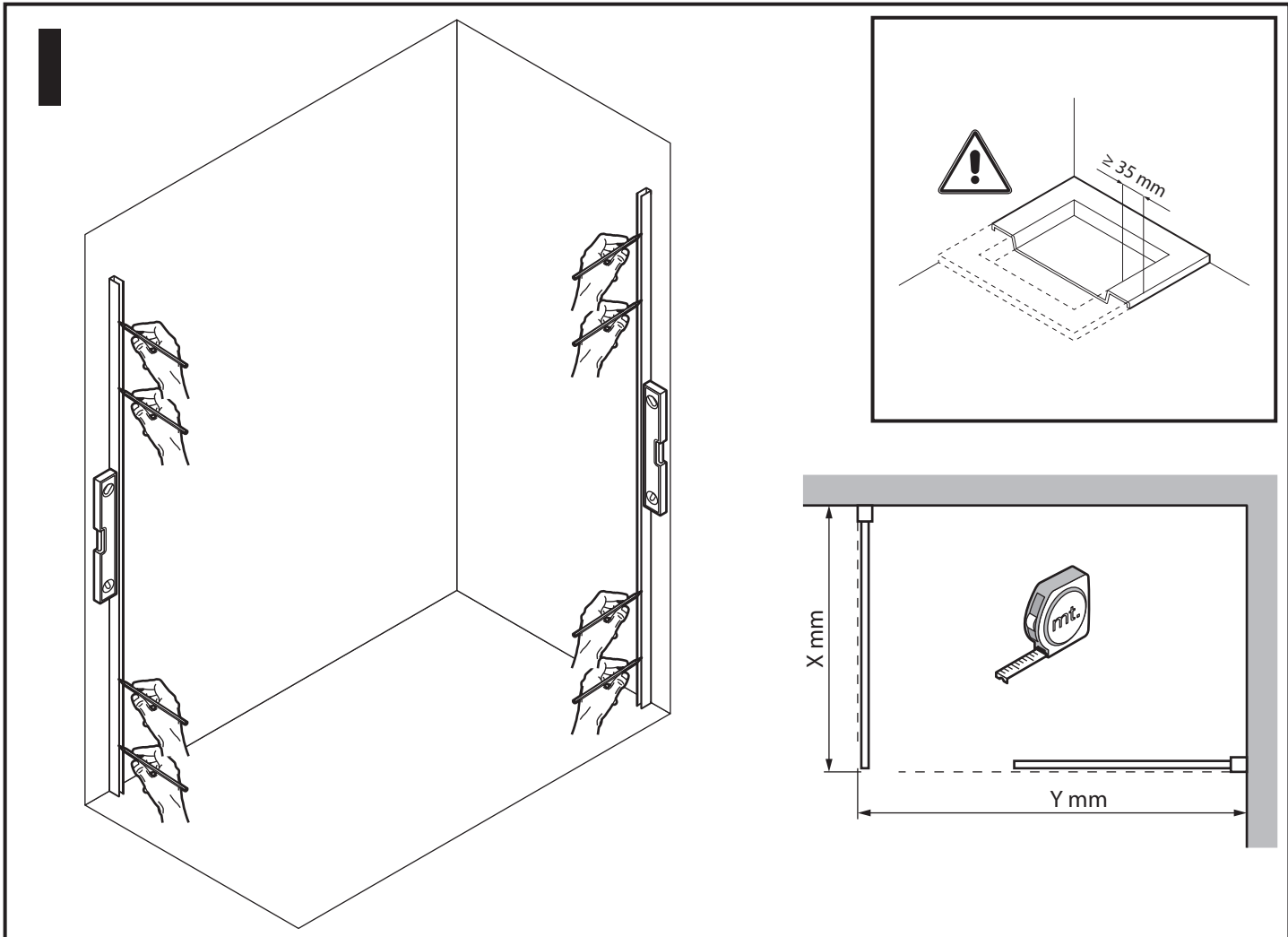
x1



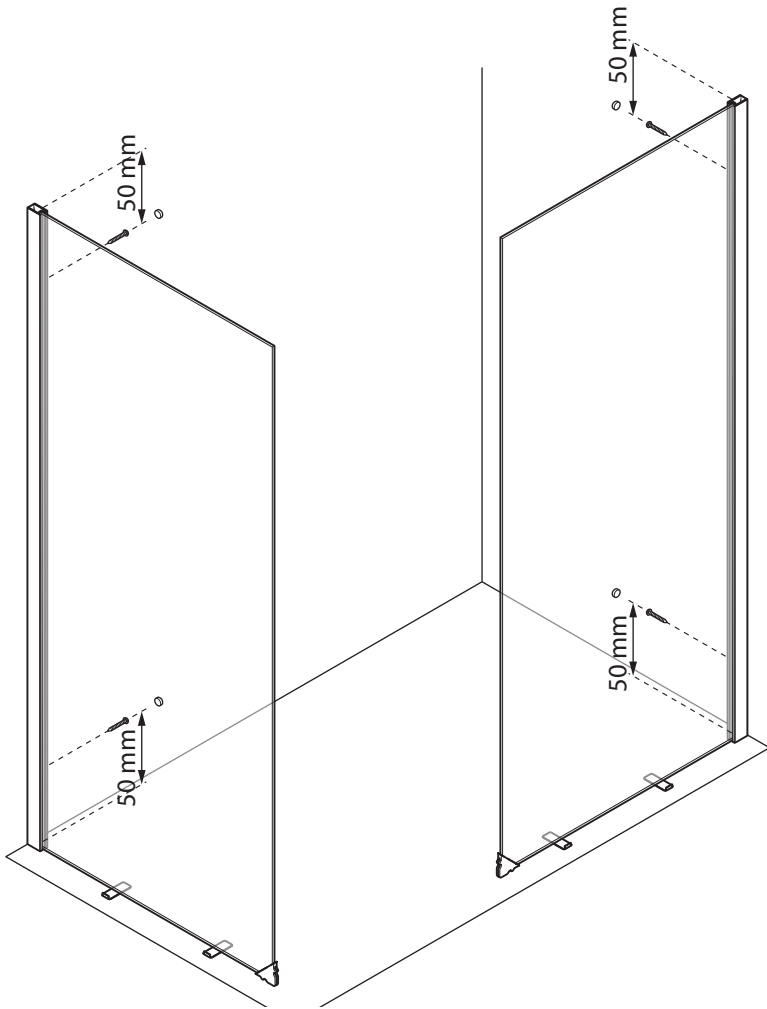
x2



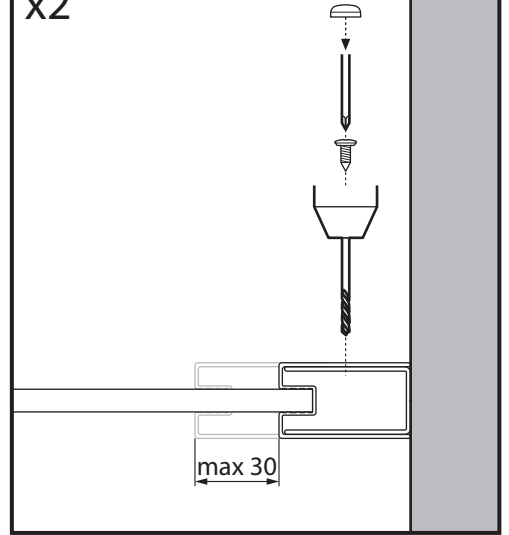
CLEANIT
OR
WATER ONLY



3



x2



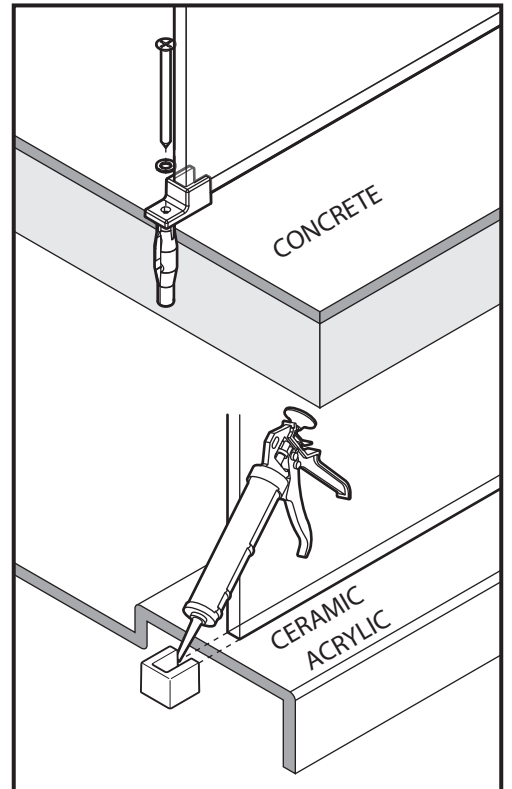
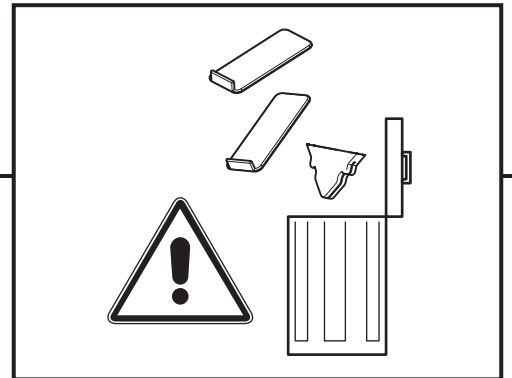
ø3 mm



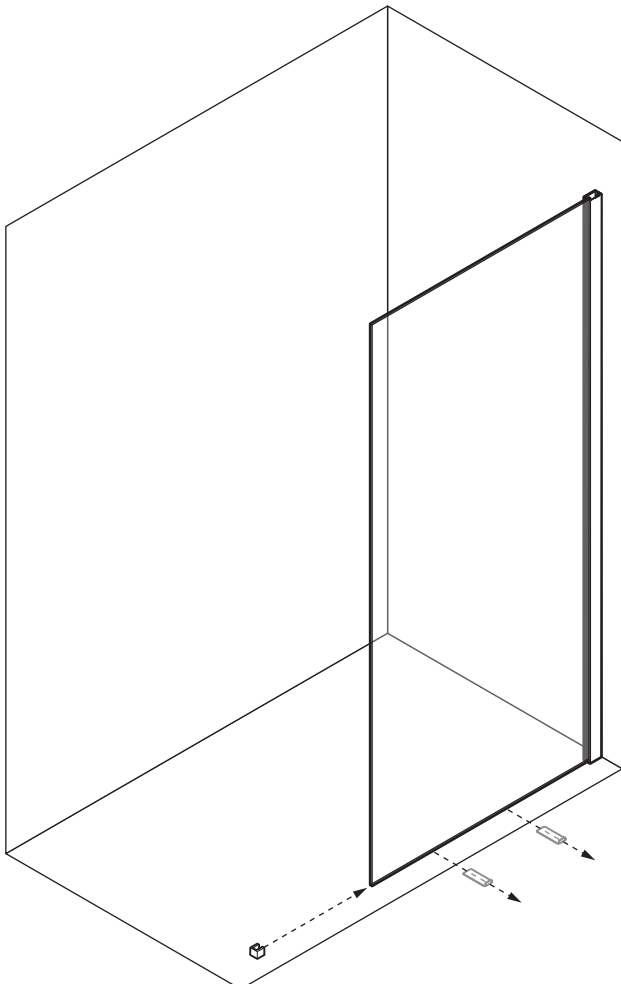
x2



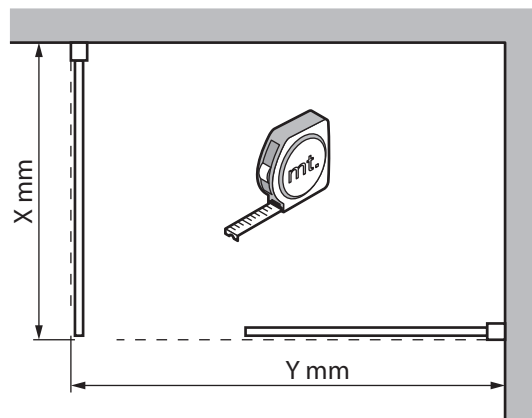
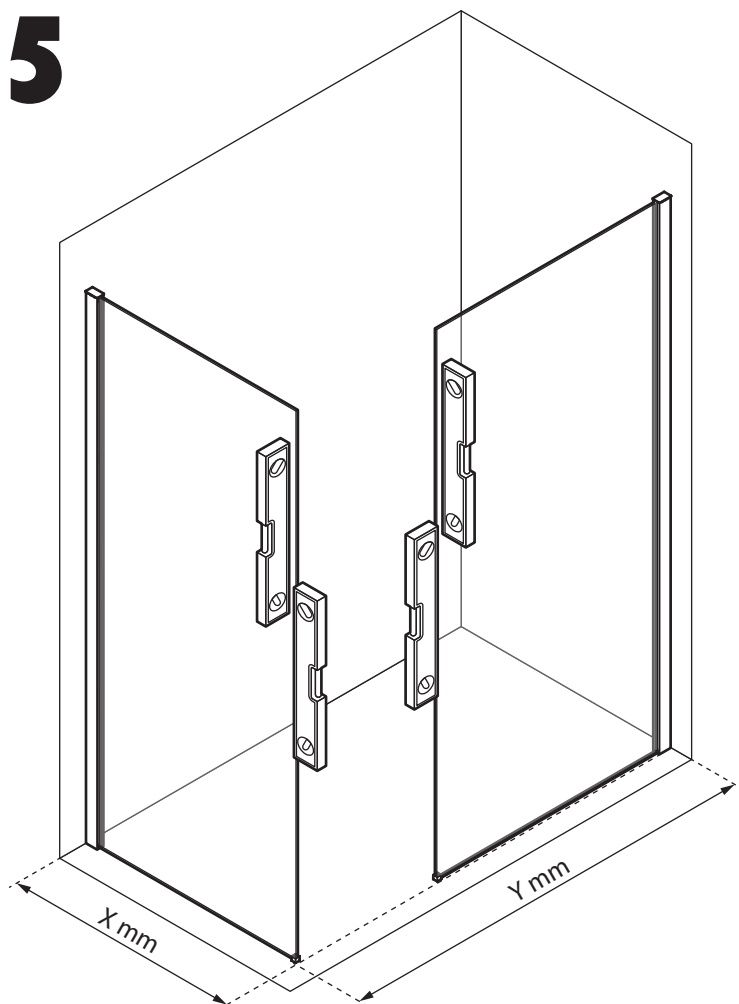
3,5x9,5 x2



4

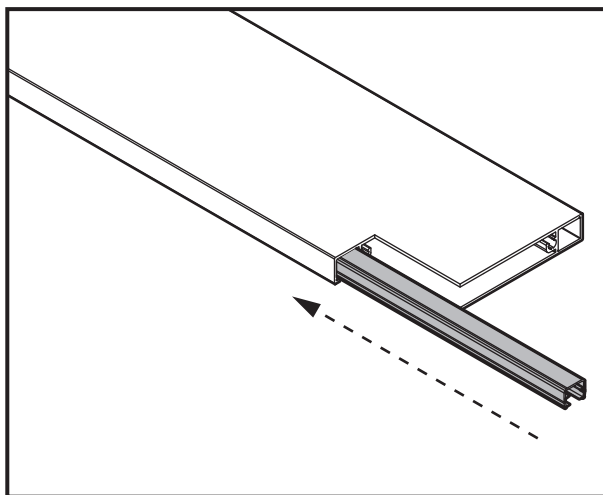
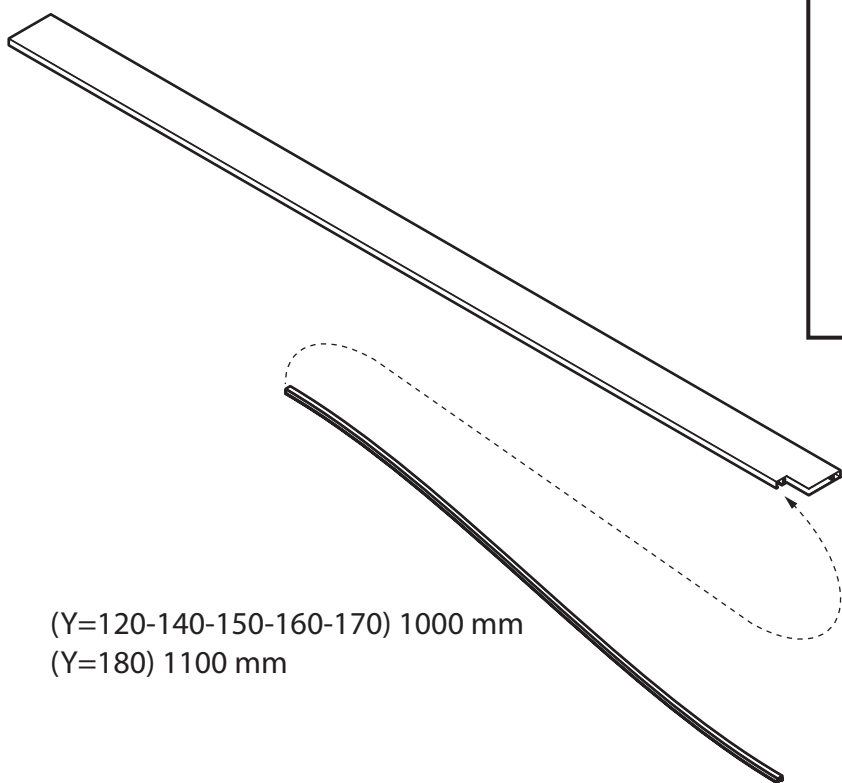


5



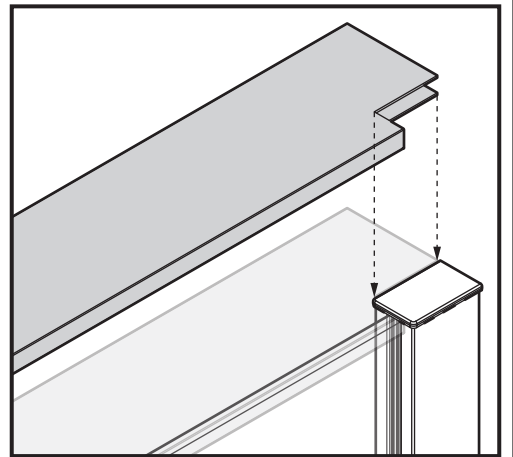
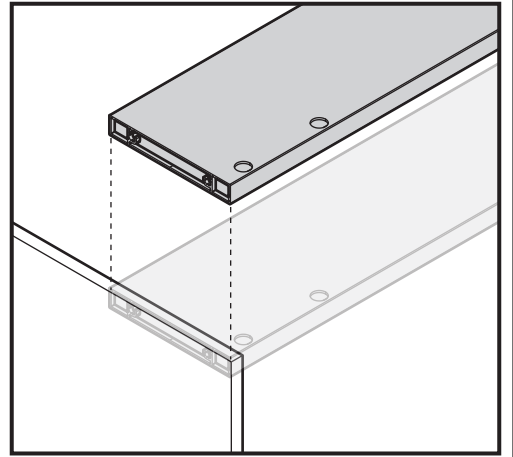
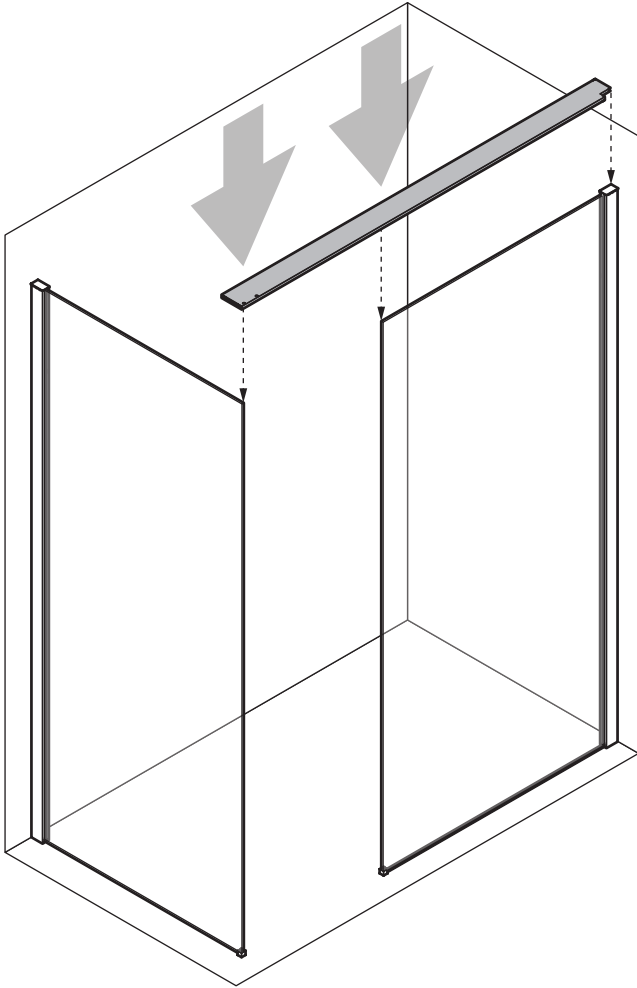
X mm	Y mm
H70= 679	Y120= 1171
H75= 729	Y140= 1371
H80= 779	Y150= 1471
H90= 879	Y160= 1571
H100= 979	Y170= 1671
	Y180= 1771

6

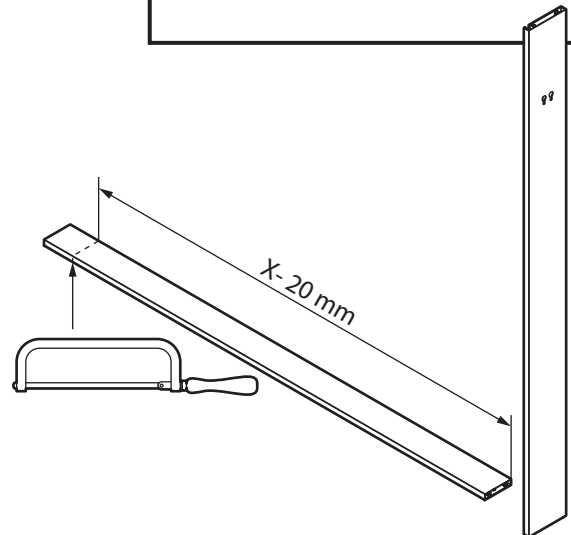
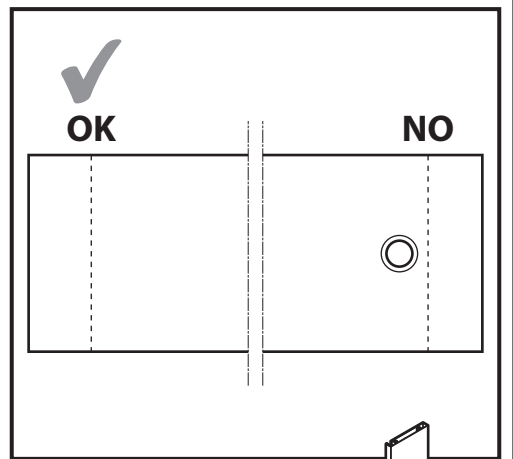
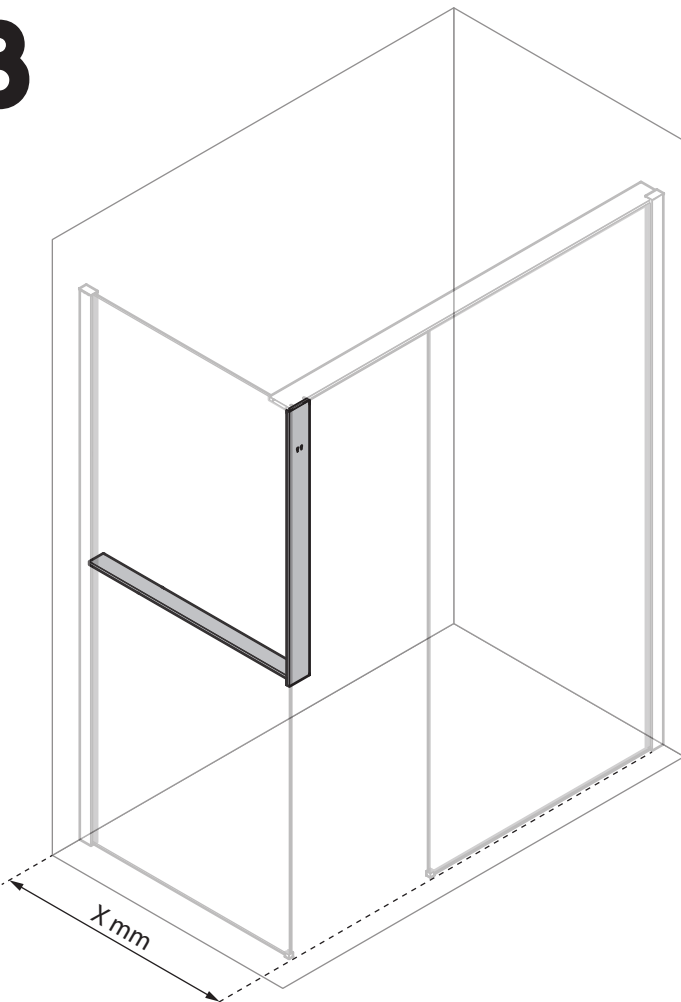


(Y=120-140-150-160-170) 1000 mm
 (Y=180) 1100 mm

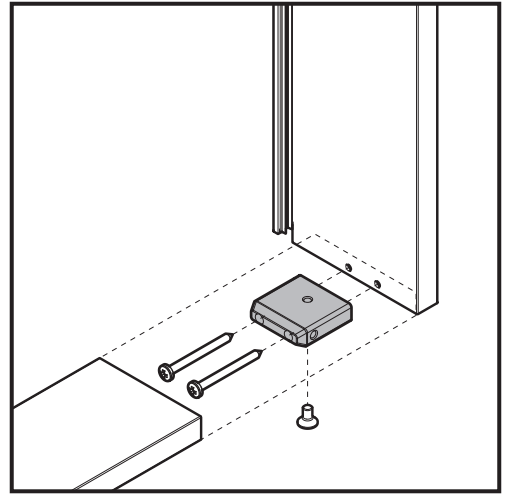
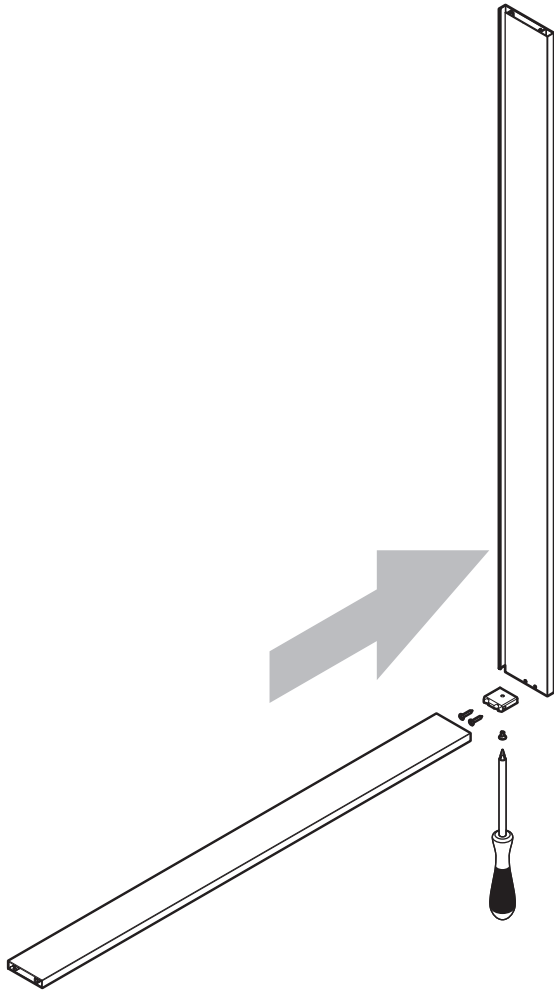
7



8



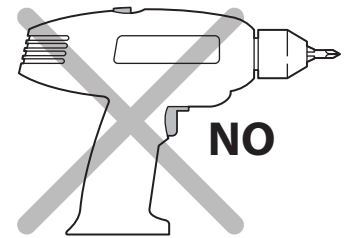
9



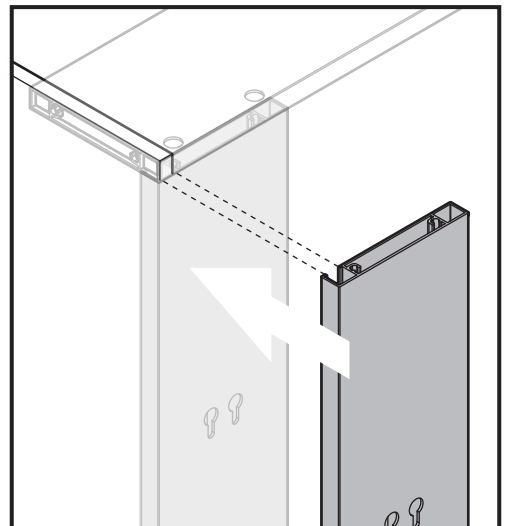
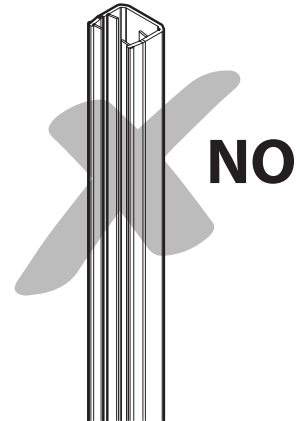
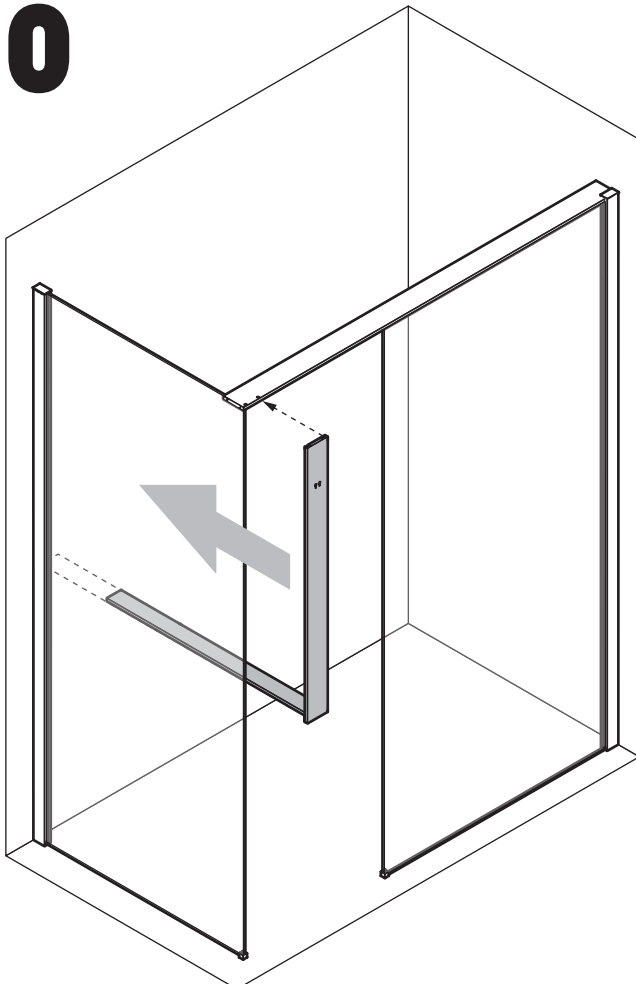
3,5x38 x2

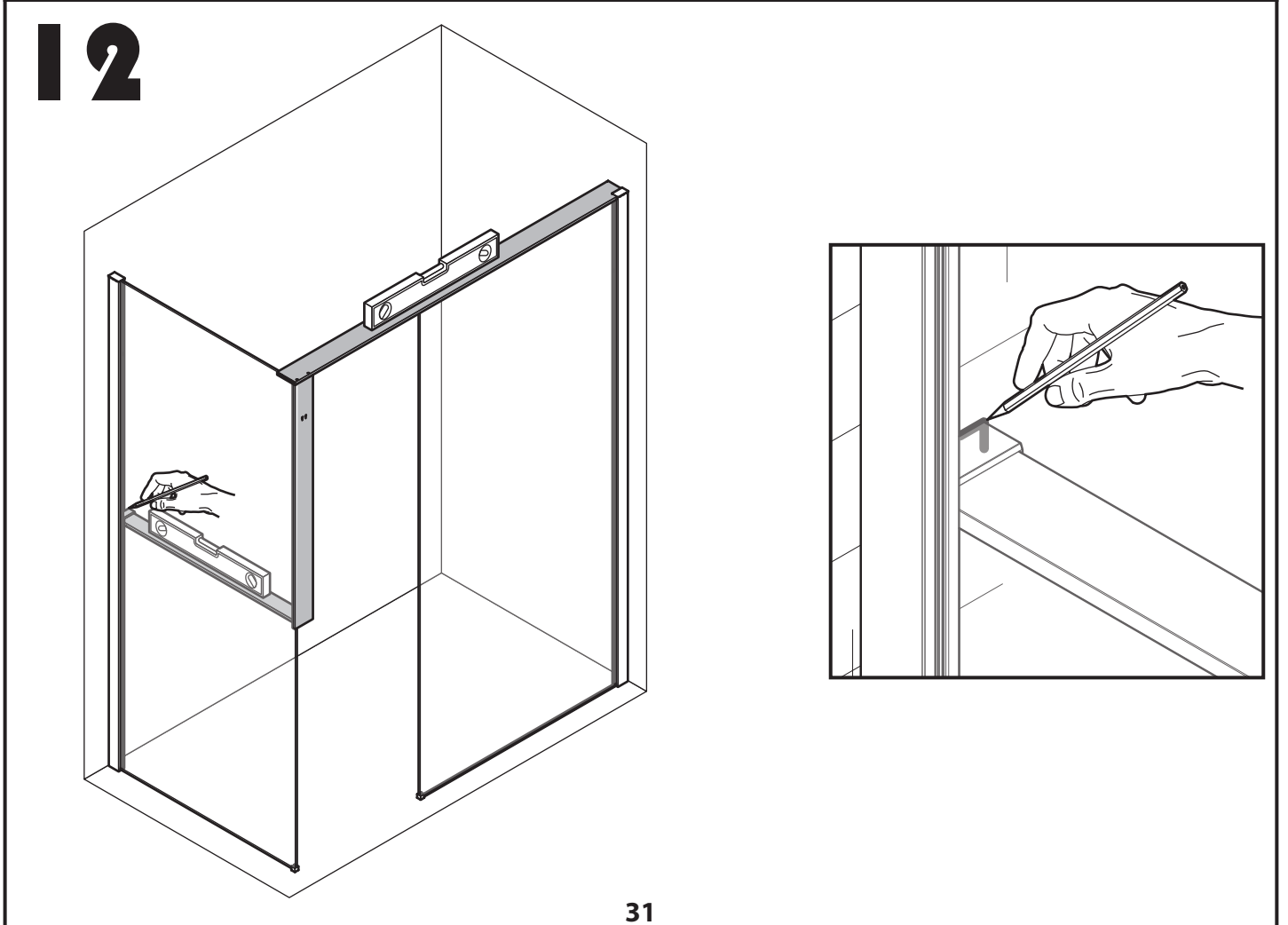
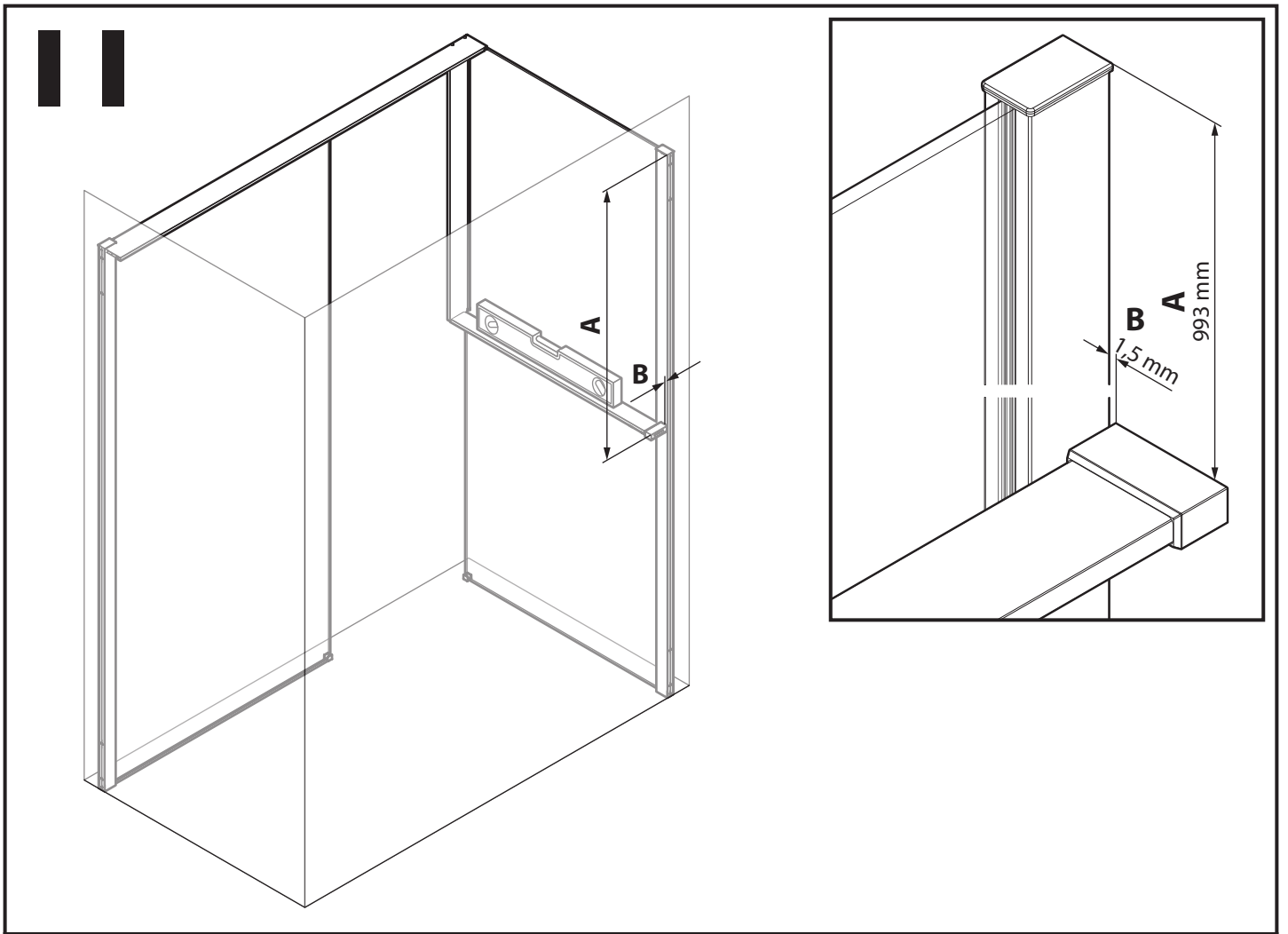


M4x8 x1

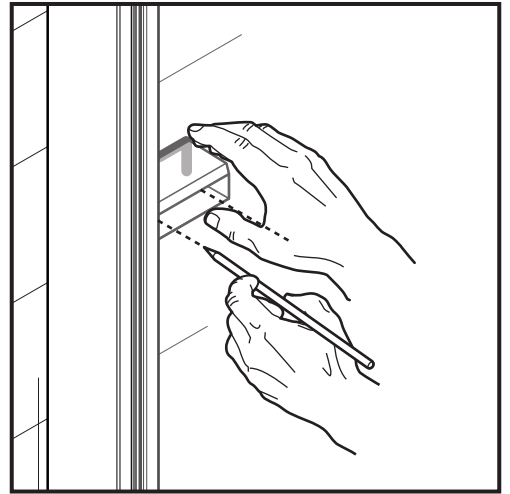
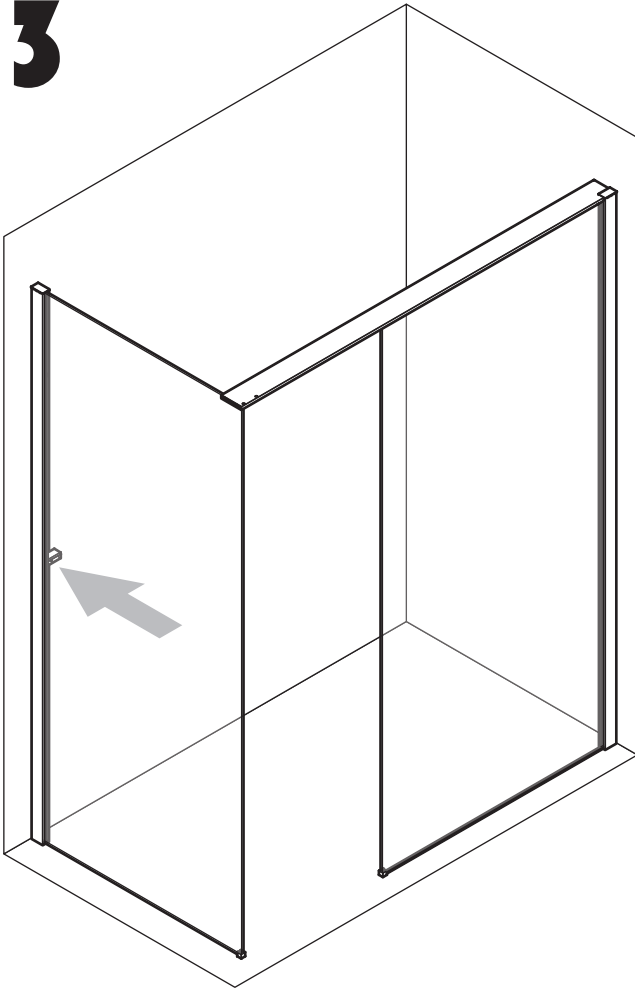


10

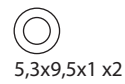
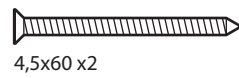
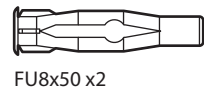
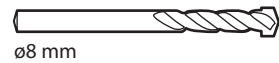
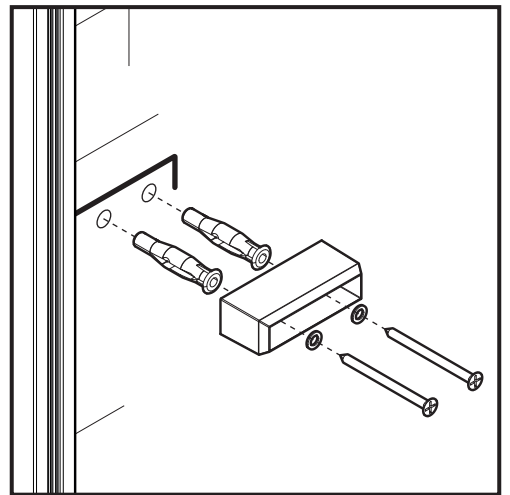
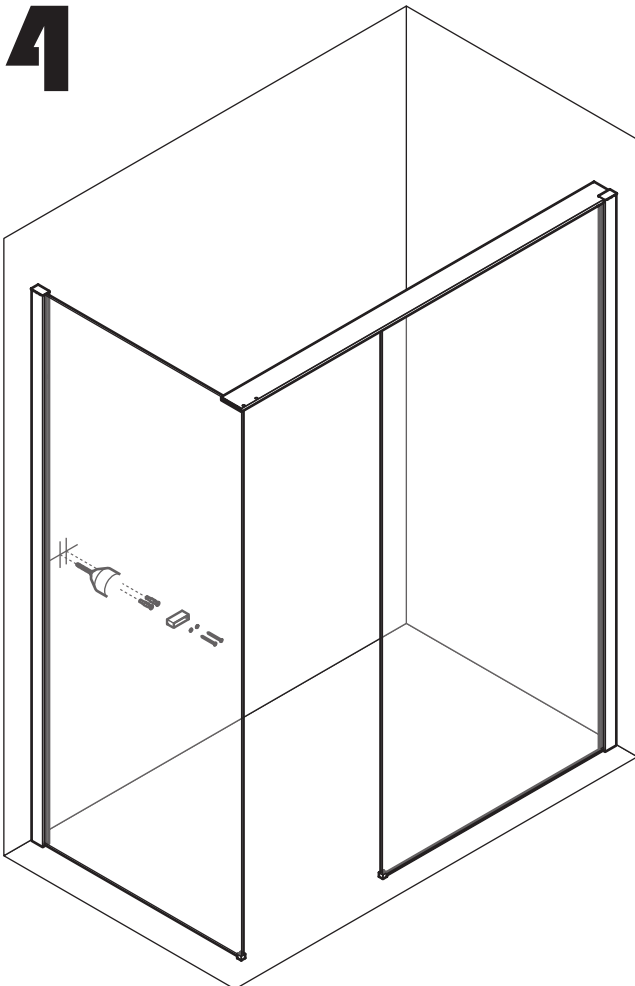




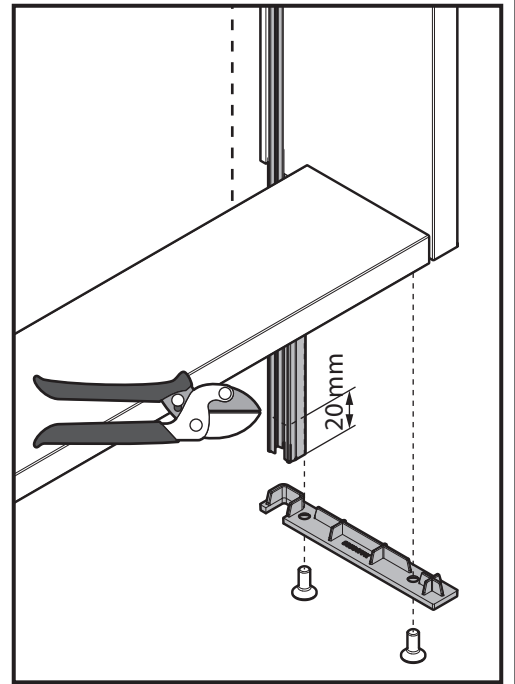
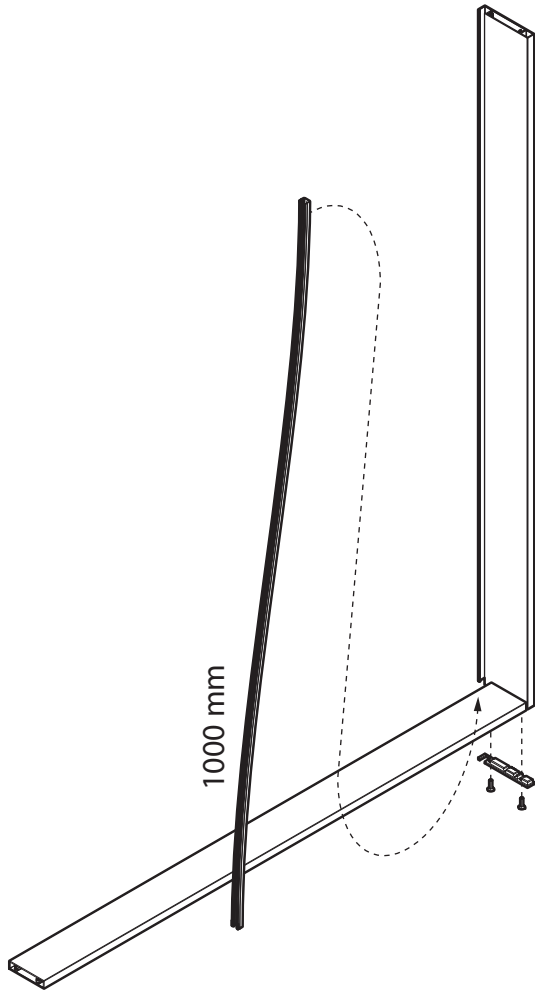
13



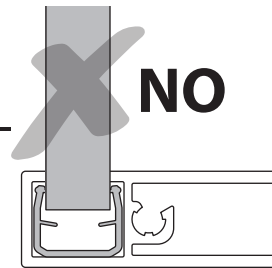
14



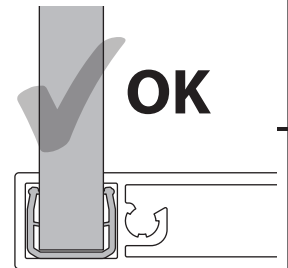
15



M4x8 x2

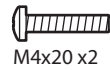
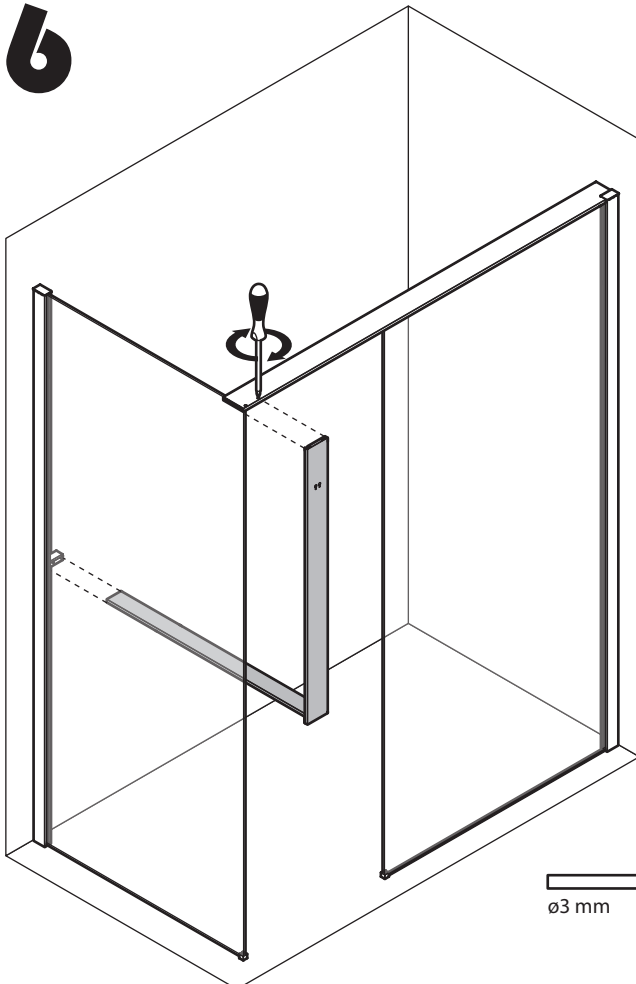


NO

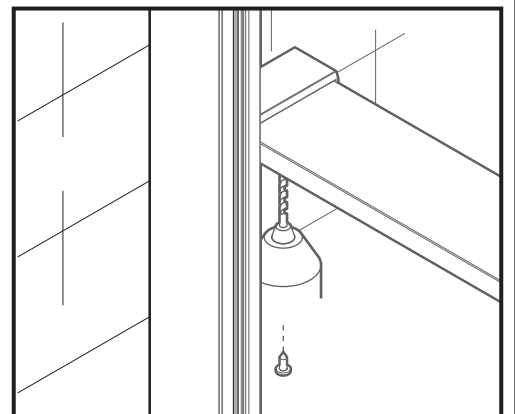
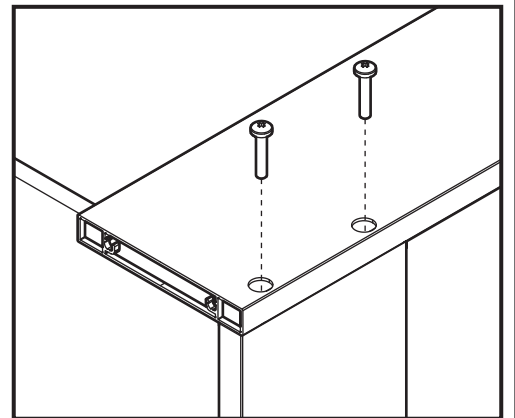


OK

16

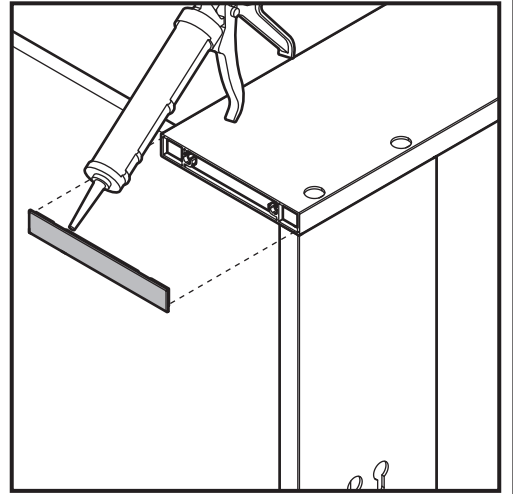
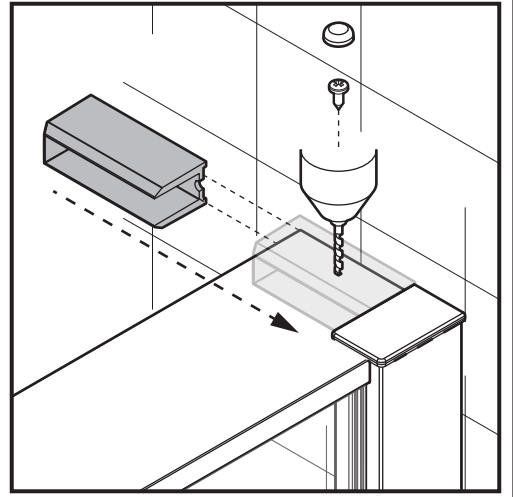
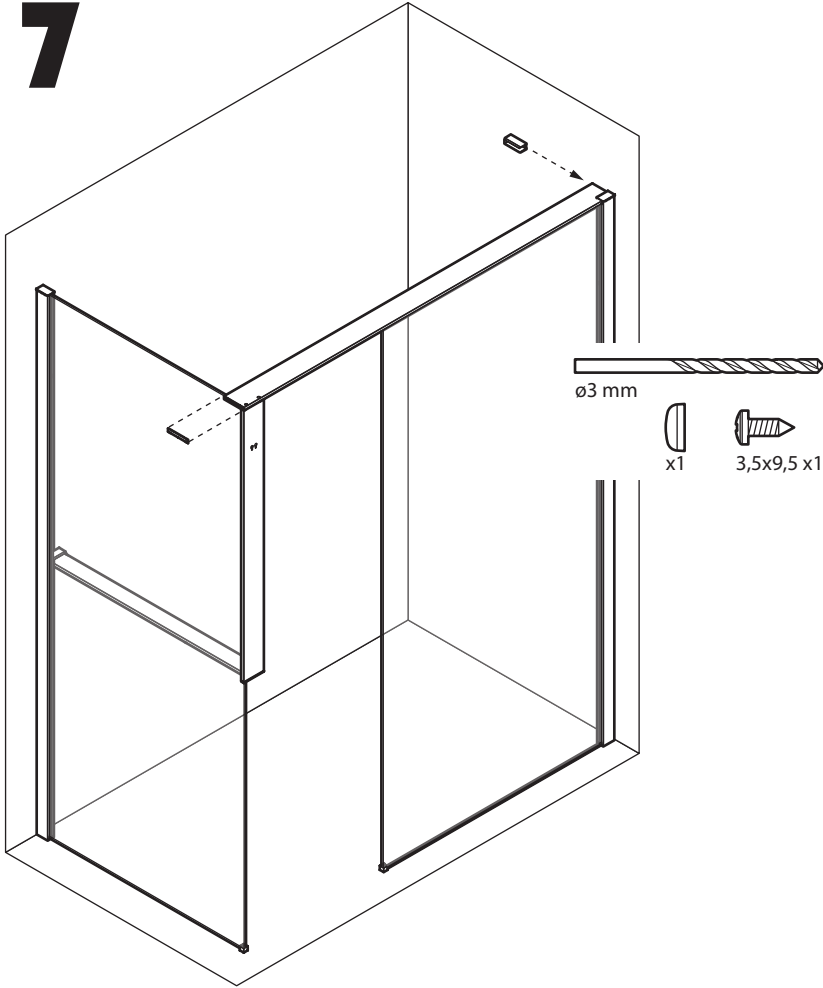


M4x20 x2

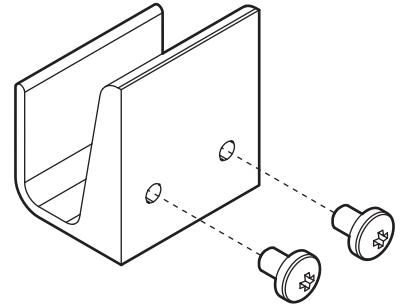
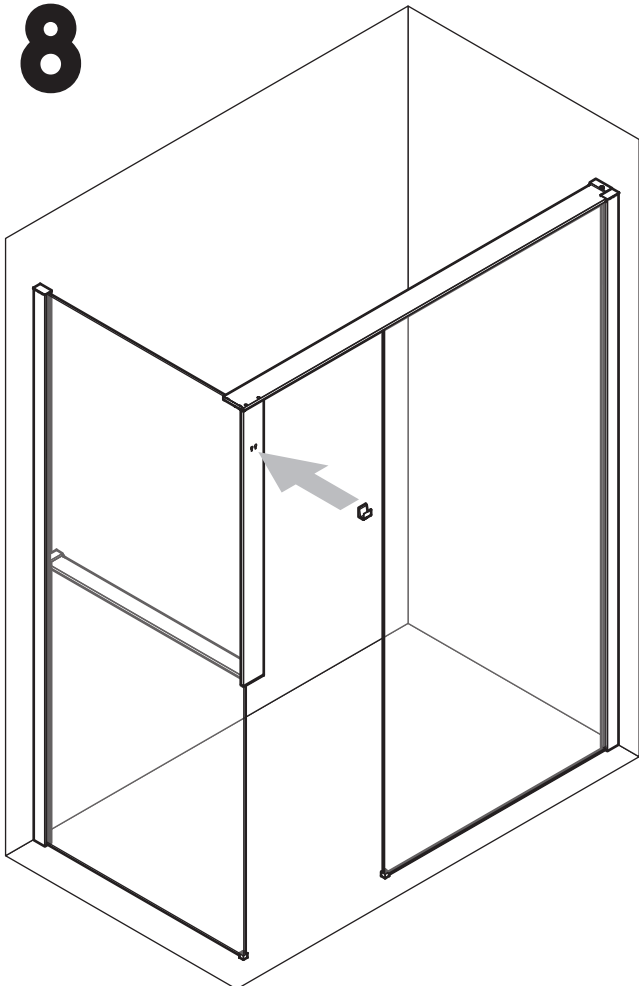


3,5x9,5 x1

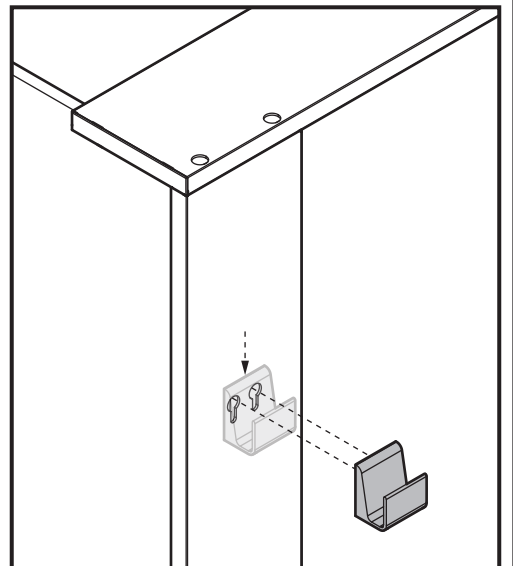
17



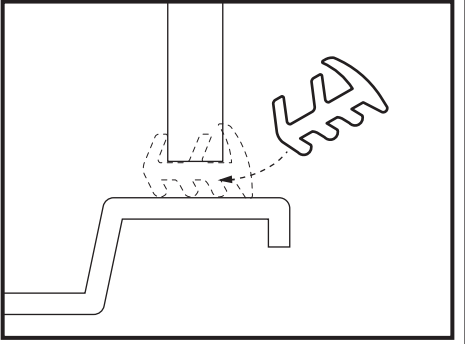
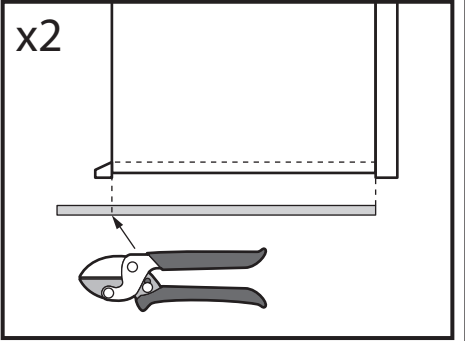
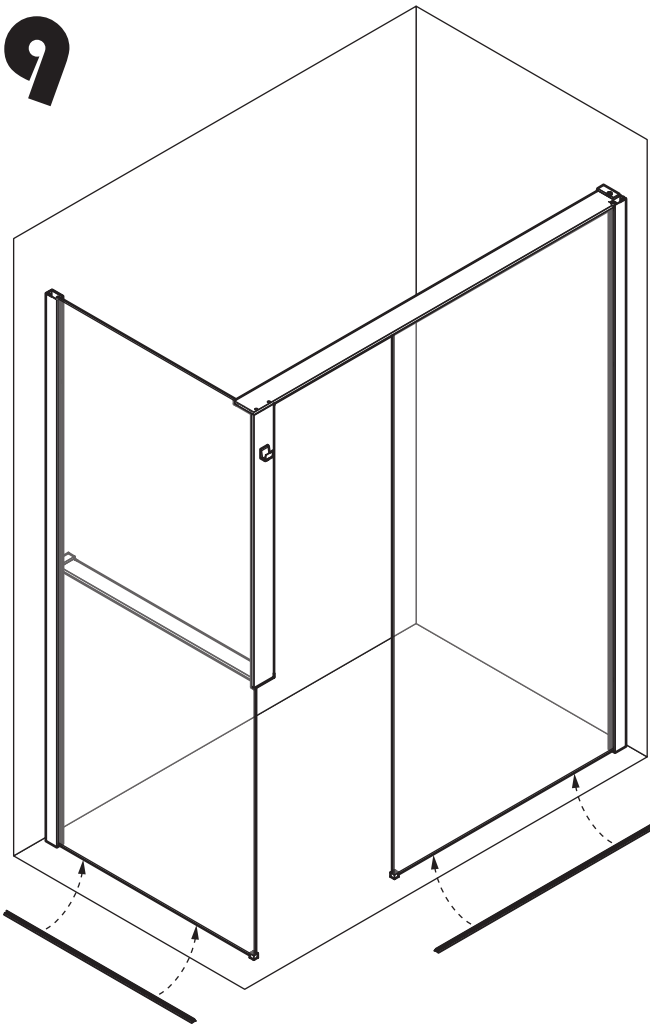
18




M4x6 x2



19



20

