

26 413 979 Product version from 10/1/2023



- metal shower hose 1750mm with integrated anti-twist protection
- shower hose connector 3/8"
- slide bar

technical data:


- gauge 853 mm
- rosettes Ø mm
- Pipe diameter 18 mm

Notes:


- This article does not include a hand shower!

This article does not include a hand shower!

Recommended miscellaneous

	Concealed wall elbow - • min. recess depth 90 mm • max. recess depth 163 mm	35 085 970 90
---	--	---------------

Required miscellaneous

	Hand shower FlowReduce 130 mm - Matte Black	28 016 979-33 0010
---	--	--------------------

Required miscellaneous

	SERIES-VARIOUS Hand shower FlowReduce - Matte Black	28 029 979-33 0010
---	--	--------------------


Recommended miscellaneous

	Wall elbow - Matte Black	28 450 980-33
---	---------------------------------	---------------


Required miscellaneous

	SERIES-VARIOUS Hand shower FlowReduce - Matte Black	28 025 979-33 0010
---	--	--------------------

Required miscellaneous

	Hand shower 100 mm - Matte Black	28 018 979-33
---	---	---------------


Required miscellaneous

	Hand shower 120 mm - Matte Black	28 012 979-33
---	---	---------------


Required miscellaneous

	Hand shower - Matte Black	28 017 979-33
---	----------------------------------	---------------


Required miscellaneous

	Hand shower FlowReduce 100 mm - Matte Black	28 018 979-33 0010
---	--	--------------------


Required miscellaneous

	Hand shower FlowReduce 120 mm - Matte Black • 5 jets • Ø 120 mm	28 012 979-33 0010
---	--	--------------------

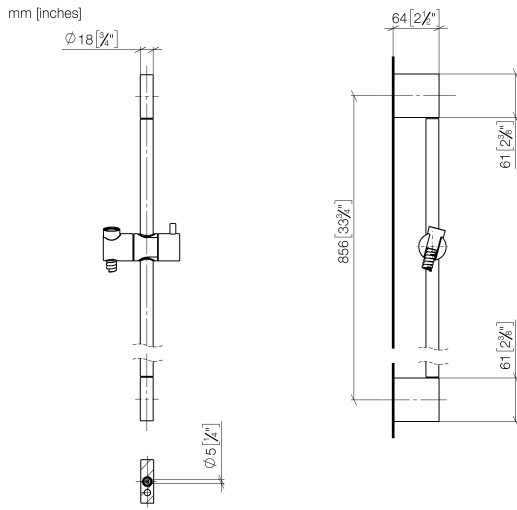
Required miscellaneous

	Hand shower 130 mm - Matte Black	28 016 979-33
---	---	---------------

Required miscellaneous

	SERIES-VARIOUS Hand shower - Matte Black	28 029 979-33
---	---	---------------

26 413 979 Product version from 10/1/2023

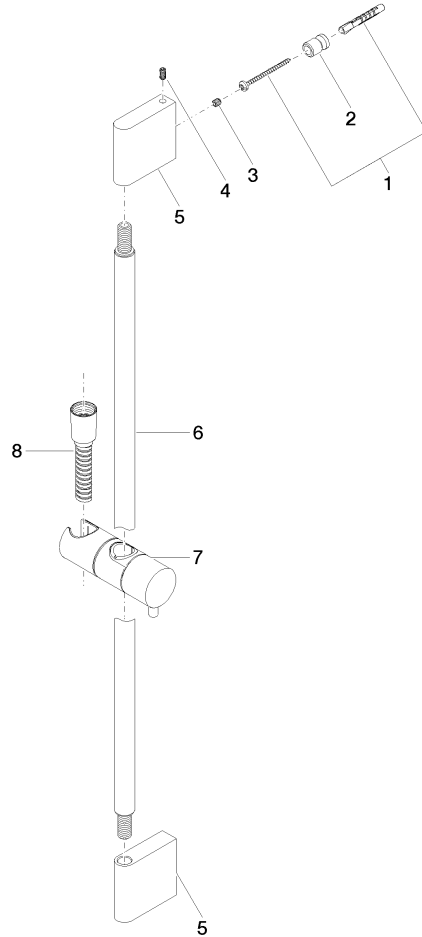


Codes & Standards

ASME A112.18.1	cUPC	Scottish Water Byelaws	UK Water Supply Regulations
XP P 41-280			

Certificates and sustainability

ACS_20 ACC LY	WRAS_2009	IAPMO_4976
---------------	-----------	------------



Spare parts list

No.	Item Number	Name	Quantity used	Delivery time
7	12 580 970-33	Slide unit - Matte Black	1.00	20
6	90 28 22 597 00-33	Pipe Ø 18 x 792 mm - Matte Black	1.00	-
Spare part can no longer be ordered, please order the replacement item				
5	08 17 97 054-33	Holder 64,5 x 60,5 x 18,5 mm - Matte Black	2.00	40
3	09 31 11 049 90	Mounting Threaded pin with hexagon socket with cup point M6 x 6 mm -	2.00	14
8	28 322 970-33	Metal shower hose 1/2" x 3/8" x 1750 mm - Matte Black	1.00	14
1	05 17 20 726 02 90	Attachment set -	2.00	14
4	04 31 11 113 00 90	Mounting Threaded pin M5 x 12 mm -	2.00	14
2	08 17 20 726 90	Holder Wall mounting Ø 13,5 x 20 mm -	2.00	14