


36 608 809 Product version from 4/1/2024



- rosette Ø 60 mm
- head part with cut-to-length spindle and sleeve
- WRAS

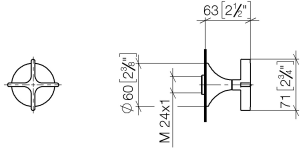
	Brushed Durabronze (23kt Gold)	36 608 809-28
	Chrome	36 608 809-00
	Brushed Platinum	36 608 809-06
	Platinum	36 608 809-08
	Dark Chrome	36 608 809-19
	Brushed Dark Brass (PVD)	36 608 809-39
	Brushed Bronze (PVD)	36 608 809-42
	Brushed Dark Bronze (PVD)	36 608 809-43
	Brushed Champagne (22kt Gold)	36 608 809-46
	Champagne (22kt Gold)	36 608 809-47
	Brushed Dark Platinum	36 608 809-99

**Required miscellaneous**

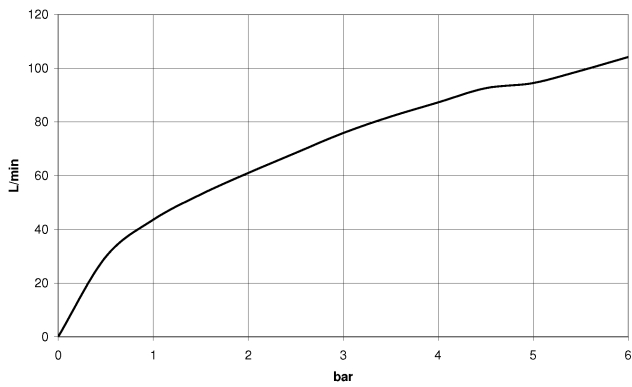
	<b>Wall valve 3/4" -</b> •min. recess depth 75 mm •max. recess depth 145 mm	35 608 970 90
--	---	---------------

36 608 809 Product version from 4/1/2024

mm [inches]



**Flow rate chart**



**Codes & Standards**

ASME A112.18.1

cUPC

Scottish Water  
Byelaws

UK Water Supply  
Regulations



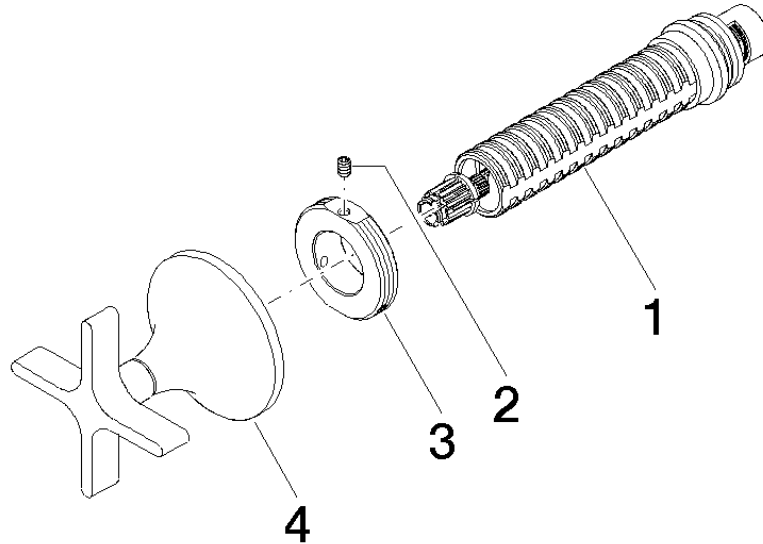
## VAIA Wall valve clockwise closing 3/4" - Brushed Durabronz (23kt Gold)

VAIA

36 608 809 Product version from 4/1/2024

### Certificates and sustainability

WRAS_2010	EPD-DOR-20230287 IAPMO_4976 ( -IBA1-EN Environmental.prod uct-declarat
-----------	---



### Spare parts list

No.	Item Number	Name	Quantity used	Delivery time
1	90 90 03 127 00 90	Head part clockwise closing 3/4" -	1.00	14
3	09 21 02 163 90	Mounting Ø 42 x 18 mm -	1.00	14
2	09 31 11 008 90	Mounting Threaded pin with hexagon socket M4 x 6 mm	1.00	14
4	90 20 80 014 00-28	handle	1.00	-

Spare part can no longer be ordered, please order the replacement item