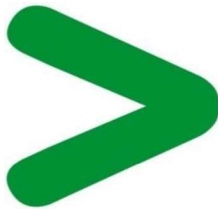


Product End of Life Instructions

MP130S Modulating Actuator, Non-Spring Return, with Position





Potential disassembly risks

⚠ WARNING

HAZARD OF PARTS EJECTION OR HAND CRUSHING

- Trip the circuit breaker up to discharged state before disassembly.
- Observe instructions to disassemble the spring(s).

Failure to follow these instructions can result in death or serious injury.

⚠ CAUTION

HAZARD OF PARTS WITH SHARP EDGES

Apply appropriate personal protective equipment (PPE) during disassembly.

Failure to follow these instructions can result in injury.

The information provided in this document assumes that the product is completely de-energized and uninstalled (refer to the instructions provided in the appropriate product manuals).

Dismantling/disassembling the product may entail hazards caused by, for example, sharp edges, chemical aggression or ejected parts.

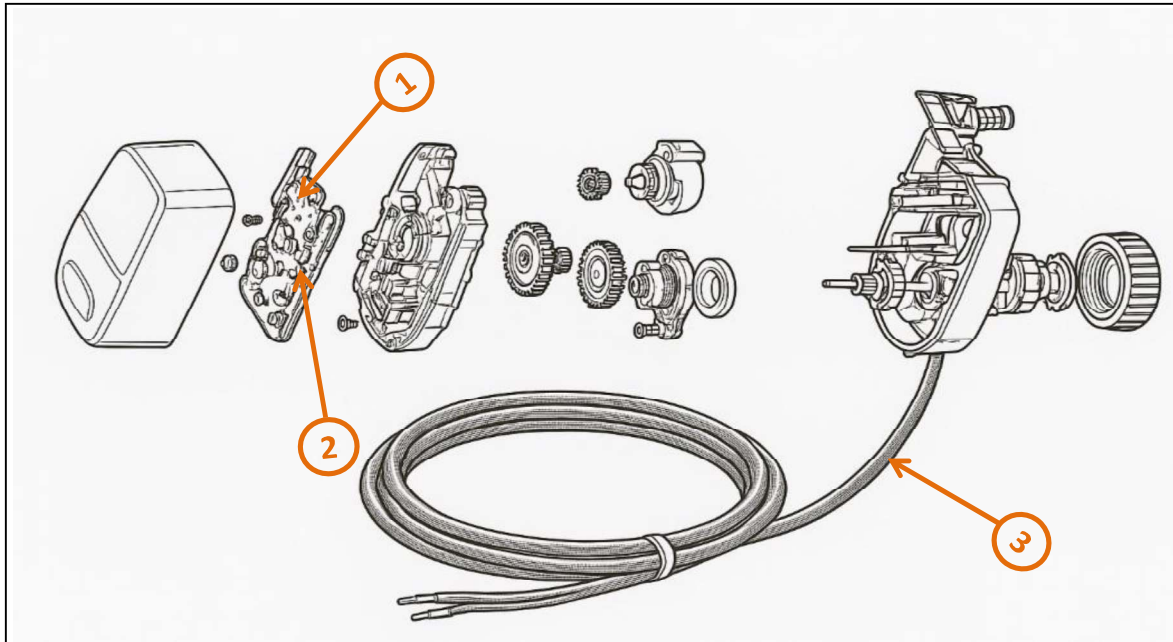
⚠ WARNING

HAZARD DUE TO INSUFFICIENT PROTECTION

- Implement all safety measures required by the applicable regulations and by the processes used to dismantle/disassemble and dispose of the product.
- Use all necessary personal protective equipment such as gloves and goggles.

Failure to follow these instructions can result in death or serious injury.

End of Life Instructions



Recommendation	Number on drawing	Component / Material	Weight (in g)	Comment
To be depolluted	1	Electronic Board (Communication) > 10cm ²	11.113	38.94cm ²
To be depolluted	2	Capacitors	2.58	2 items
To be depolluted	3	Cable (high current)	256	5 Meters

Product description

Manufacturer identification	Schneider Electric Industries SAS
Brand name	Schneider Electric
Product function	The MP130S is a high-accuracy non-spring return modulating control actuator designed specifically for use with the SpaceLogic PIBCV (Pressure Independent Control Valve), effectively manages the water supply to fan coil units, chilled beams, induction units, small re-heaters, re-coolers, air handling units, and other terminal units for zone control, where heated or chilled water is the controlled medium. Its precision and LED indicators streamline the commissioning process, simplify maintenance, improve indoor comfort, and boost energy savings. Control is achieved through a voltage or current input signal sent to the actuator
Product reference	MP130S24MP5M
Additional similar product references	MP130S24MP5M MP130S24M MP130S24M5M MP130S24MP
Total representative product mass	454 g
Representative product dimensions	190mm x 87mm x 190mm
Accessories	No
Date of information release	2025-08

Additional information

Legal information	This product family is in the scope of European Union directive 2012/19/EU on Waste Electrical and Electronic Equipment (WEEE). The product family must be disposed according to the legislation of the country. This document is intended for use by end of life recyclers or treatment facilities. It provides the basic information to assure an appropriate end of life treatment for the components and materials of the product.
In case of special transportation: transportation method	No special transportation method required
Recyclability potential	25% The recyclability rate was calculated from the recycling rates of each material making up the product based on REEECY'LAB tool developed by Ecosystem, for components/materials not covered by the tool, data from the EIME database and the related PSR was taken. If no data was found a conservative assumption was used (0% recyclability).

Schneider Electric Industries SAS
 Country Customer Care Center
<http://www.se.com/contact>
 35, rue Joseph Monier
 CS 30323
 F- 92500 Rueil Malmaison Cedex
 RCS Nanterre 954 503 439
 Capital social 928 298 512 €

www.se.com

ENVEOLI2508026_V1

Published by Schneider Electric

© 2023 - Schneider Electric – All rights reserved

2025-08