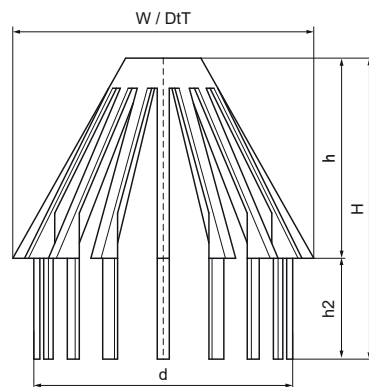


Walraven Leaf Trap

for rainwater drainage pipe

(C4505)



Features & benefits

- prevents blockage of down pipe caused by leaves and other debris in the gutter
- material: PP (polypropylene), grey (according to RAL 7035)

Product Number	Height	Height 2	Total Height	Total Width	Total Depth
Reference letter	<i>h</i>	<i>h 2</i>	<i>H</i>	<i>W</i>	<i>DtT</i>
Unit description	<i>mm</i>	<i>mm</i>	<i>mm</i>	<i>mm</i>	<i>mm</i>
5952060	43	25	68	83	83
5952080	64	34	98	103	103