

SpaceLogic™ MP-V

Controller Models

Part numbers: SXWMPV7AX10001, SXWMPV7AX10002, SXWMPV9AX10001, and SXWMPV9AX10002

Safety Information

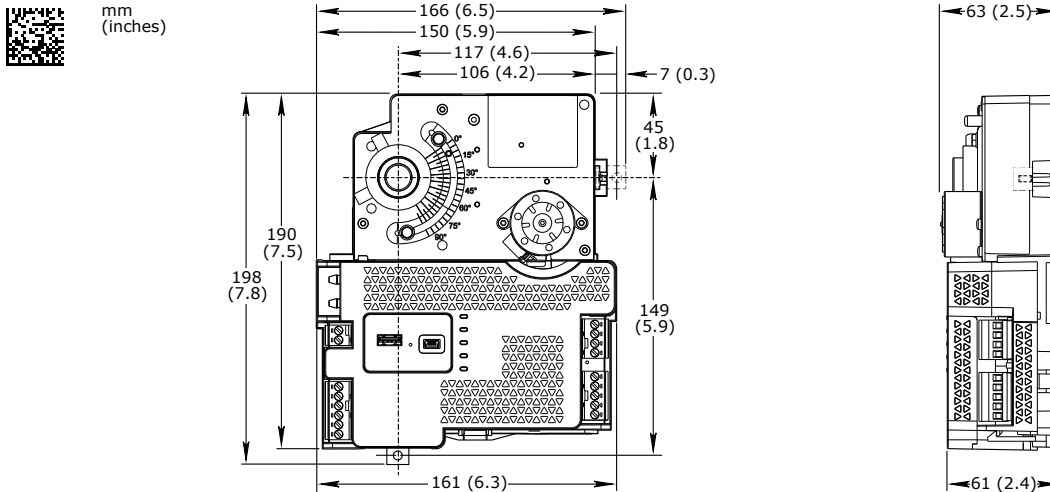
Electrical equipment should be installed, operated, serviced, and maintained only by qualified personnel. No responsibility is assumed by Schneider Electric for any consequences arising out of the use of this material. Carefully read these instructions and all information relevant for this product before trying to install it. See the list of technical literature.

Technical Literature

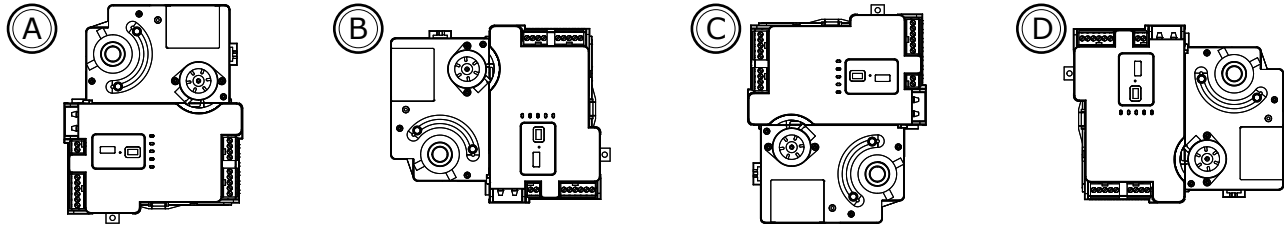
- SpaceLogic and EasyLogic - Hardware Reference Guide, 04-XX001-XX-en

The technical literature and declarations of conformity can be accessed on the Schneider Electric extranet, ecoxpert.se.com. Contact your local Schneider Electric sales office for a hard copy of the documentation or for additional information.

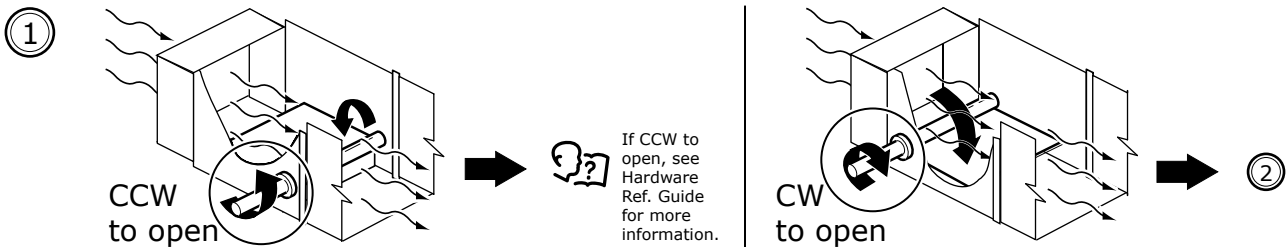
Dimensions



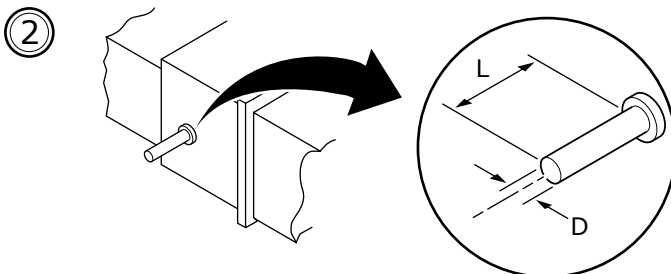
Installation Orientations



Determining the Shaft Rotation Direction that Opens the Damper



Determining the Damper Shaft Length and Diameter



$L < 54 (2.125)$
 $> 22.2 (0.875)$ → ③

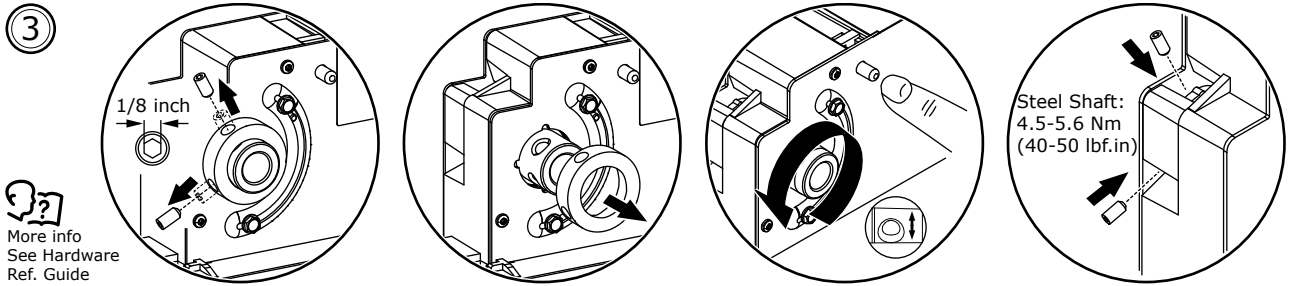
$L \geq 54 (2.125)$
 $D = 12.7 (0.5)$ → ④

$D = 9.5 (0.375)$ → ?

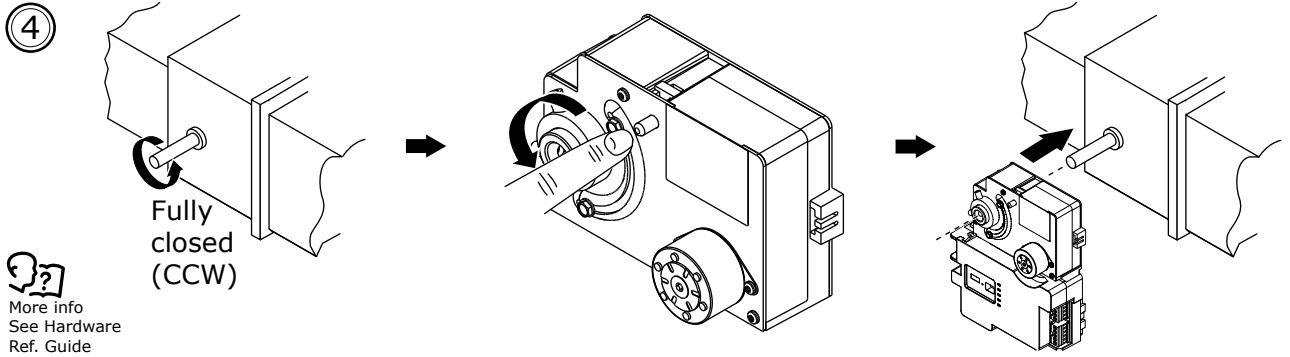
mm (inches)

Use AM-135 adapter. See Hardware Reference Guide.

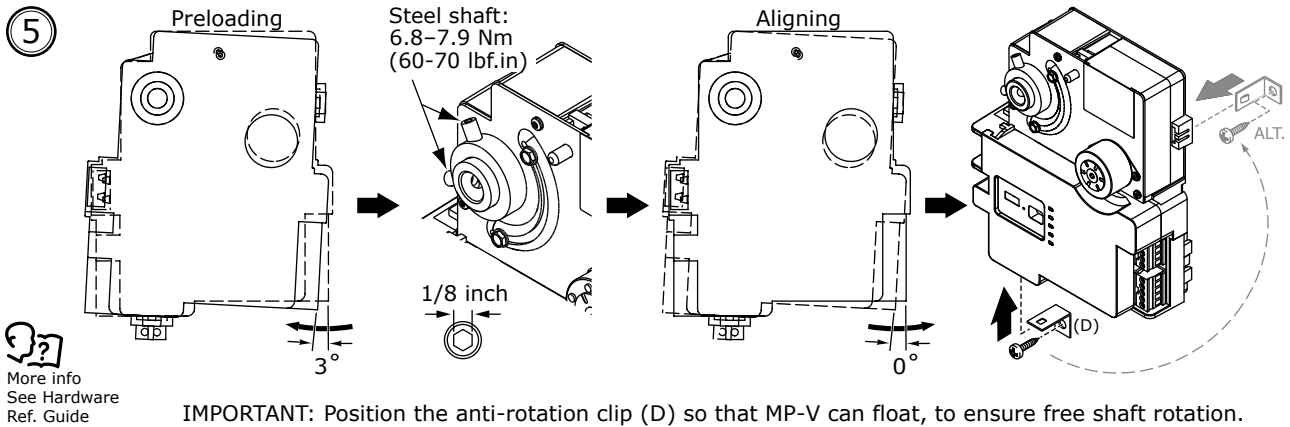
Moving the Damper Shaft Mounting Screws to the Alternative Positions for Short Shafts Only



Installing the MP-V over the Damper Shaft



Securing the MP-V to the Damper Shaft and the VAV Box



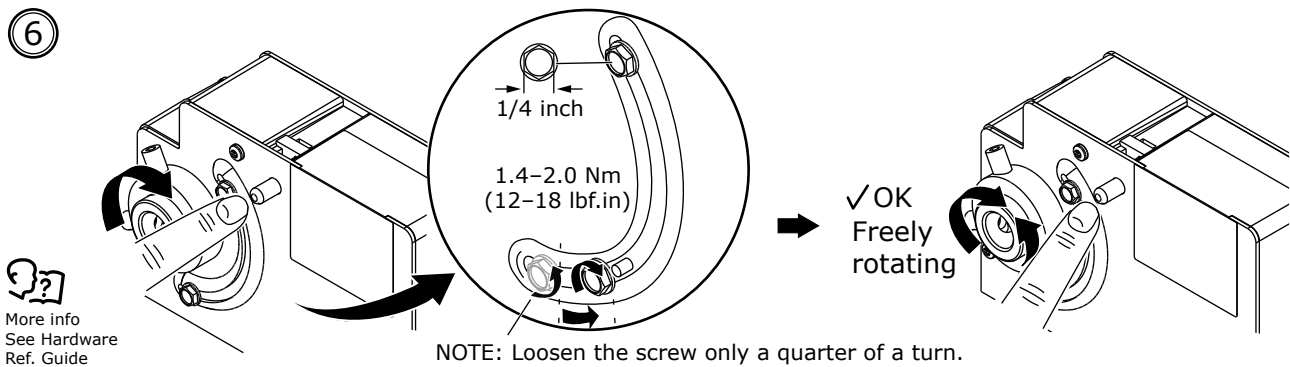
Adjusting the Position of the CW Travel Adjustment Screw (Open CW Stop)

NOTICE

VAV DAMPER NOT PROPERLY CONTROLLED

Ensure that the VAV controller damper actuator can rotate freely between the fully open and fully closed positions.

Failure to follow these instructions can result in the VAV damper not being properly controlled by the controller.



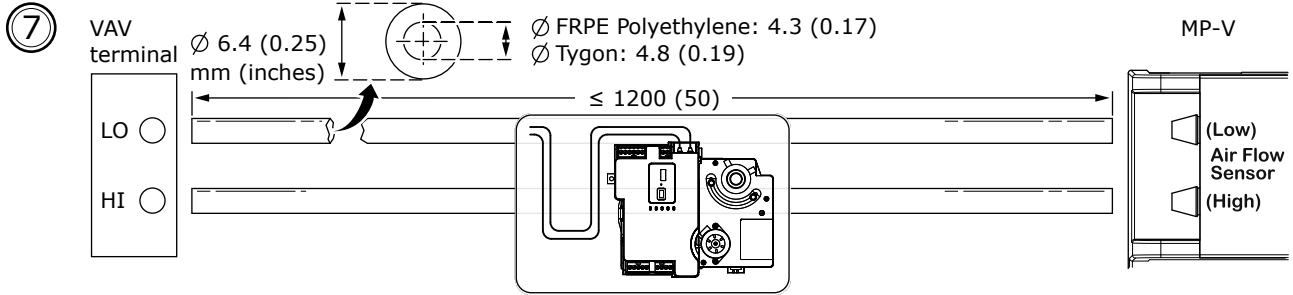
Connecting the Air Flow Sensor

NOTICE

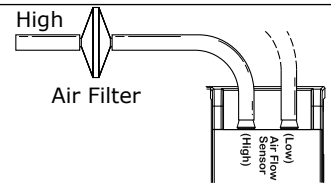
AIR FLOW SENSOR DAMAGE

Create a tubing dip that extends below the elevation of the barbed fittings to help prevent moisture from entering the VAV controller. This applies to all controller orientations.

Failure to follow these instructions can result in equipment damage.



NOTE: When operating in an unusually dusty environment, connect an in-line air filter (Schneider Electric part number 01-2100-272 or equivalent filter) on the high side pressure tube from the VAV box with the filter positioned close to the VAV box. This applies to SXWMPV7AX10001 and SXWMPV9AX10001 hardware version xx/21 and later, and to all versions of SXWMPV7AX10002 and SXWMPV9AX10002. The filter helps prevent dust from entering the velocity measurement tube.



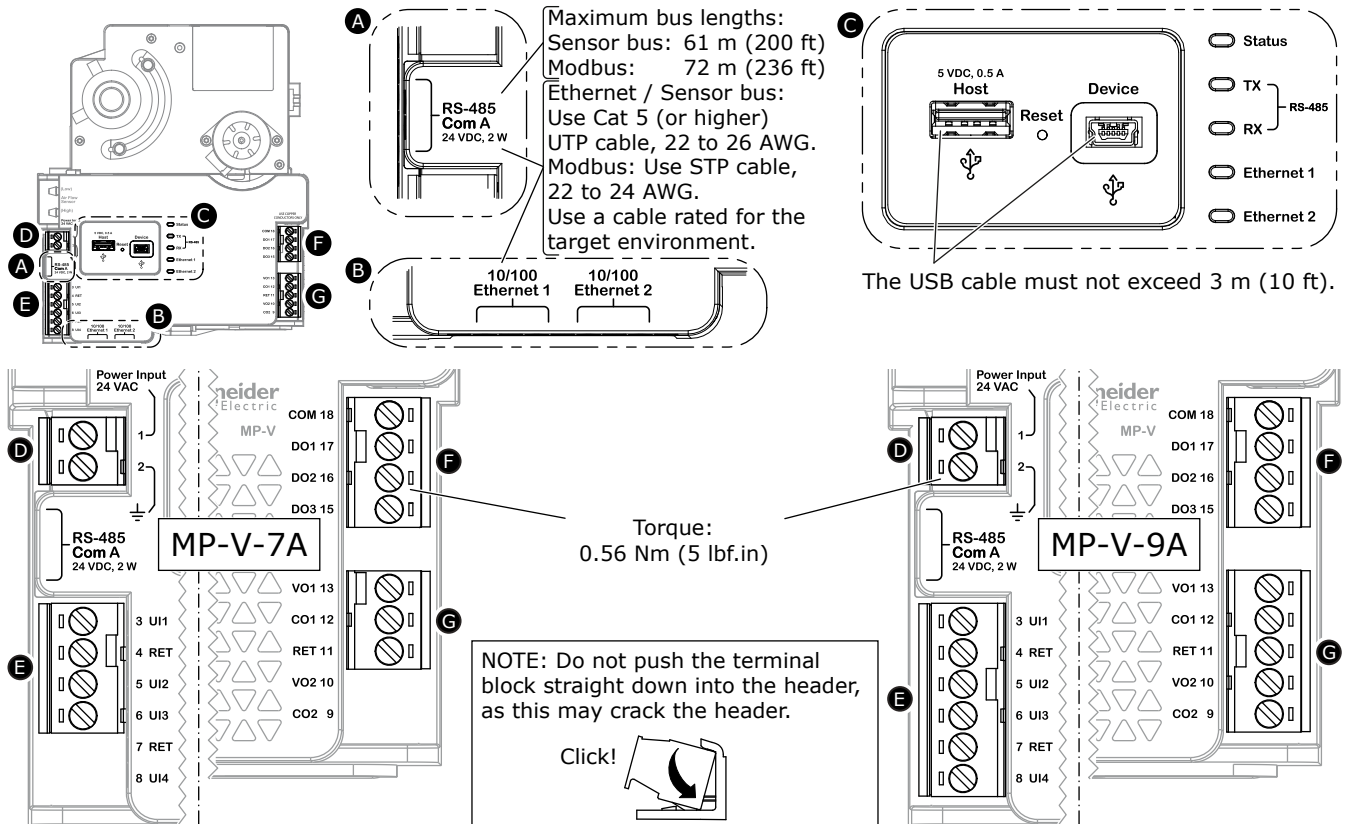
Connections

NOTICE

CONTROLLER DAMAGE OR VAV DAMPER NOT PROPERLY CONTROLLED

- Before powering up the controller, ensure that the input power polarity is correct, the voltage level meets the specifications of the controller, and the terminal blocks are plugged into the correct connector headers on the controller.
- Ensure that the controller is properly installed and secured before the application of 24 VAC power and the damper position calibration that starts automatically with it.

Failure to follow these instructions can result in equipment damage or the VAV damper not being properly controlled by the controller.



Wiring

Recommended screw tightening torque: 0.56 Nm (5 lbf.in)

For information on wiring, see the SpaceLogic and EasyLogic - Hardware Reference Guide.

Part Numbers

Product	Part number
MP-V-7A	SXWMPV7AX10001
MP-V-7A with BACnet MS/TP support ^a	SXWMPV7AX10002
MP-V-9A	SXWMPV9AX10001
MP-V-9A with BACnet MS/TP support ^a	SXWMPV9AX10002
Spare terminal blocks for all MP-V models	SXWMPVCON10001
Adapter for damper shaft diameter 9.5 mm (3/8 inch)	AM-135
In-line air filter	01-2100-272
Isolated RS-485 adapter (cable not included)	SXWISORS48510001
Non-isolated RS-485 adapter (cable not included)	SXWNISORS48510001
RS-485 power adapter (cable not included)	SXWNISORS485P10001

a) SXWMPV7AX10002 and SXWMPV9AX10002 are compatible with EcoStruxure Building Operation version 2.0.4 and later when the controller firmware is downgraded in the field to version 2.00.03.01203 and later. Version 4.0.x controller firmware from the factory is compatible with EcoStruxure Building Operation version 3.x.x and later. BACnet MS/TP support for SXWMPV7AX10002 and SXWMPV9AX10002 requires controller firmware version 4.0.2 and later and EcoStruxure Building Operation version 4.0.2 and later. The RS-485 adapters are accessories for the MP-V controller models with BACnet MS/TP support. For more information on the RS-485 adapters and the cable required, see the Isolated and Non-isolated RS-485 Adapter Installation Sheet.

Specifications

AC input Nominal voltage 24 VAC \sim 50/60 Hz Power consumption MP-V-7A: 21 VA MP-V-9A: 22 VA Port types USB ports Device (Mini-B), Host (Type-A) Ethernet port 1 and 2 10/100BASE-TX RJ45 RS-485 port Com A 24 VDC, 2 W, RS-485 (RJ45) Operation environment Ambient temperature, operating 0 to 50 °C (32 to 122 °F)	Humidity Maximum 95 % RH non-condensing Mechanical Ingress protection rating IP 20 Plastic flame rating UL94 V-0 Plenum rating UL 2043 (Approved for plenum installations) IP networking IP address assignment methods Static, DHCP (default), Auto-IP (address range 169.254.0.1 to 169.254.255.254, subnet mask 255.255.0.0)	UI – Universal inputs Input rating 24 VDC --- , 2.4 mA Channels MP-V-7A: 3; -9A: 4 DO – Triac outputs Triac rating Max. 30 VAC \sim , 0.5 A Channels MP-V-7A: 3; -9A: 3 AO – Analog outputs Voltage output rating 0 to 10 VDC --- , 5 kohm (min.) Current output rating 0 to 20 mA, 650 ohm (max.) Channels MP-V-7A: 1; -9A: 2
---	---	--

Differences from Previous Hardware Versions

For information on differences from previous versions, see the SpaceLogic and EasyLogic - Hardware Reference Guide.

Addendum - California Proposition 65 Warning Statement for California Residents

⚠ WARNING: This product can expose you to chemicals including lead which is known to the State of California to cause cancer and which is known to the State of California to cause birth defects or other reproductive harm. For more information go to www.P65Warnings.ca.gov

部件名称 (Part Name)	有害物质 (Hazardous Substances)					
	铅 (Pb)	汞 (Hg)	镉 (Cd)	六价铬 (Cr (VI))	多溴联苯 (PBB)	多溴二苯醚 (PBDE)
塑料部件 (Plastic Parts)	○	○	○	○	○	○
电子件 (Electronics)	X	○	○	○	○	○

本表格依据 SJ/T11364 的规定编制。(This table is made according to SJ/T 11364.)

○: 表示该有害物质在该部件所有均质材料中的含量均在 GB/T 26572 规定的限量要求以下。

(Indicates that the concentration of hazardous substance in all of the homogeneous materials for this part is below the limit as stipulated in GB/T 26572.)

X: 表示该有害物质至少在该部件的某一均质材料中的含量超出 GB/T 26572 规定的限量要求。

(Indicates that the concentration of hazardous substance in at least one of the homogeneous materials used for this part is above the limit as stipulated in GB/T 26572.)

