

s.96 extended stem for insulation full port 1/4"-2" hot forged ball valves



Quality:

- 24h 100% seal test guaranteed
- Dual sealing system allows valve to be operated in either direction making installation easier
- No metal-to-metal moving parts
- Handle clearly shows ball position
- Silicone-free lubricant on all seals
- Chrome plated brass ball for longer life
- Handle stops on body to avoid stresses at stem

Body:

- Hot forged sand blasted, nickel plated brass body and cap sealed with Loctite® or equivalent thread sealant
- Finest brass according to EN 12165 and EN 12164 (formerly DIN 17660 and UNI 5705-65) specifications
- Extended stem forged in one piece with body allows perfect sealing and easy operation when valve is insulated

Stem:

- Two FPM O-rings at the stem for maximum safety
- Unplated brass stem

Seals:

- Pure PTFE self-lubricating seats with flexible-lip design

PED Directives:

- According to 97/23 CE module A: it cannot be used with dangerous gases in sizes larger than 25mm



Threads:

- ISO 228 Female by Female threads

Flow:

- Full port to DIN 3357 for maximum flow

Handle:

- Geomet® carbon steel handle with thick PVC dip coating. Handle coating offers both thermal and electrical protection

Working Pressure:

- 30 Bar (450 PSI)
- non-shock cold working pressure

Working Temperature:

- -40°C (-40°F) / +170°C (+350°F)
- Warning: freezing of the fluid in the installation may severely damage the valve

Options:

- T-handle
- Oval lockable handle
- AISI 430 stainless steel handle
- Patented locking device
- Short stem design
- Dezincification resistant brass body and components

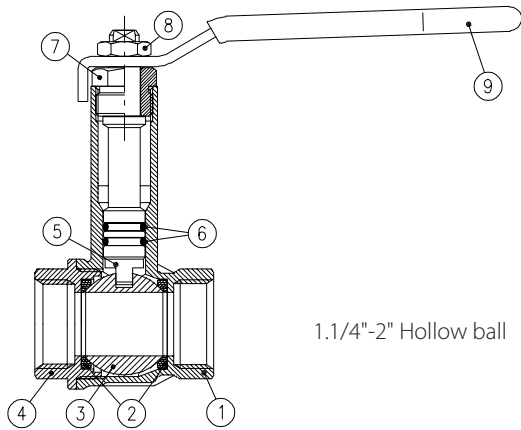
Upon Request:

- AISI 316 stainless steel ball
- Glass filled PTFE seals
- Custom Design

Approved by or in compliance with:

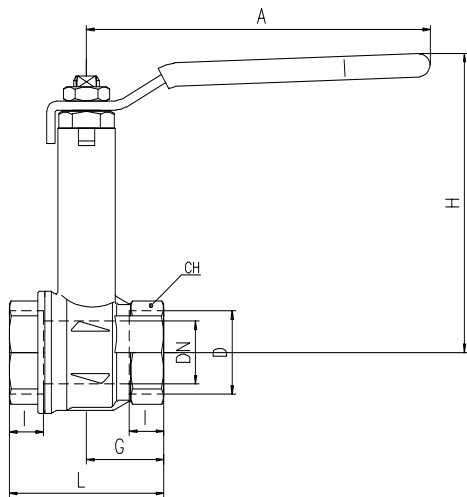
- GOST-R (Russia)
- Hygiene and epidemic center in Moscow city (Russia)
- UkrSepro (Ukraine)
- RoHS Compliant
- EAC - Declaration of conformity (Russia-Kazakhstan-Belarus)

NOTE: Approvals apply to specific configurations/sizes only.



1.1/4"-2" Hollow ball

PART DESCRIPTION	Q.TY	MATERIAL
1 Nickel plated body	1	CW617N
2 Seat	2	PTFE
3 Chrome plated ball	1	CW617N
4 Nickel plated end cap	1	CW617N
5 Unplated extended stem O-ring design	1	CW602N
6 O-Ring	2	FPM
7 Unplated nut	1	CW617N
8 Geomet® nut	1	CB4FF
9 Red PVC coated Geomet® steel handle	1	DD11



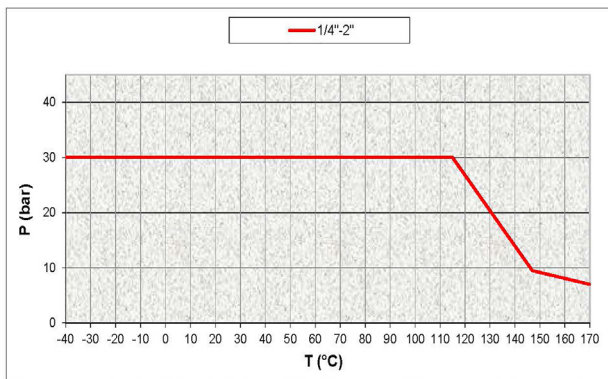
Code	S96B00	S96C00	S96D00	S96E00	S96F00	S96G00	S96H00	S96I00
D (inch)	1/4	3/8	1/2	3/4	1	1 1/4	1 1/2	2
DN (mm)	8	10	15	20	25	32	40	50
I (mm)	9	9	11	12	14	15	17	19
L (mm)	39	39	50	54	67	77	90	106
G (mm)	19.5	19.5	25	27	33.5	38.5	45	53
A (mm)	100	100	100	120	120	158	158	158
H (mm)	85	85	88	95.5	99.5	124	130	137
CH (mm)	20	20	25	31	38	48	54	66

DN shows the nominal flow diameter. Actual flow diameter complies with full port DIN 3357 part 4.

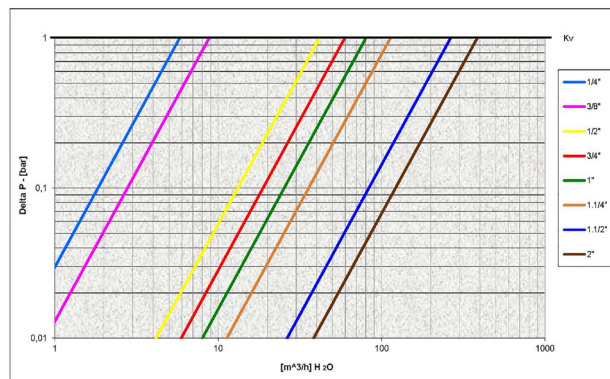
Ball valves are marked CE on handle from 1.1/4" to 2" as follow:
CE XXCODEXX Cat I-A

Ask for additional information on the whole range of **RuB** valves and consult with your supplier for special applications.

Pressure-Temperature Chart



Pressure Drop Chart



The company reserves all rights for the information contained herein. Products may be changed at any time without notice. Any undated reference to a code or standard shall be interpreted as referring to the latest edition. **RuB** and logo are registered trademarks of **RuB**-Rubinetteria utensilerie Bonomi. Other logos and registered trademarks are property of respective owners.

XCES96 - Rev: 3486