

s.6400 ISO 5211

full port 1/2"-4"

hot forged brass ball valves



Quality:

- 24h 100% seal test guaranteed
- Dual sealing system allows valve to be operated in either direction making installation easier
- No metal-to-metal moving parts
- No maintenance ever required
- Silicone-free lubricant on all seals
- Chrome plated brass ball for longer life

Body:

- Hot forged sand blasted, nickel plated brass body and cap sealed with Loctite® or equivalent thread sealant
- ISO 5211 and DIN 3337 mounting flange for universal connection to actuator
- Finest brass according to EN 12165 and EN 12164 (formerly DIN 17660 and UNI 5705-65) specifications

Stem:

- Blowout-proof nickel plated brass stem
- Two FPM O-rings at the stem for maximum safety

Sealing:

- Reinforced PTFE self-lubricating seats with flexible-lip and wear compensation design

PED Directives:

- Assessment according to Pressure Equipment Directive 2014/68/UE module B+D by Pascal (1115)



Threads:

- EN 10226-1, ISO 228 parallel female by female threads

Flow:

- 100% Full port for maximum flow

Handle:

- ISO 5211 actuator mounting pad allow direct mounting of **RuB** electric and pneumatic actuators, with no bracket or coupling required

Working Pressure:

- 40 Bar (600 PSI) up to 2", 30 Bar (450 PSI) over 2" non-shock cold working pressure
- For use with dangerous fluids temperature rating is -20°C +60°C and pressure rating is 5 bar

Working Temperature:

- -20°C (-4°F) / +170°C (+350°F)
- **WARNING:** freezing of the fluid in the installation may severely damage the valve

Options:

- s.64 configuration featuring NPT taper ANSI B.1.20.1 female by female threads, unplated body, reinforced seats and brass or stainless stem
- Configuration for use with slurries or liquid bearing abrasive particles
- Rack and pinion pneumatic actuator (spring return or double acting)
- Compact power electric actuator for some sizes
- Manual lockable handle

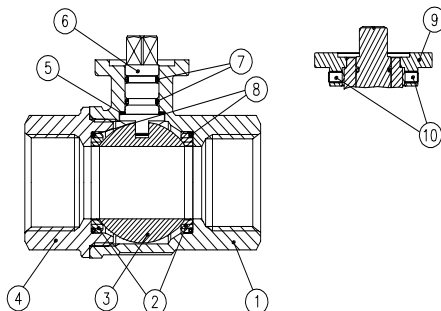
Upon Request:

- Custom design

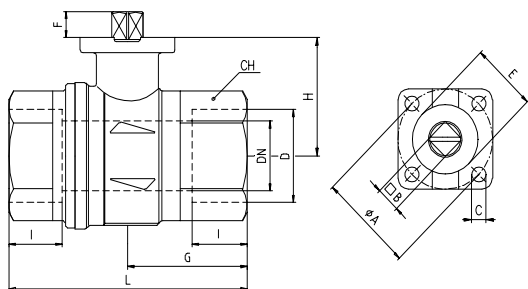
Approved by or in compliance with:

- GOST-R (Russia)
- Hygiene and epidemic center in Moscow city (Russia)
- UkrSepro (Ukraine)
- RoHS Compliant (EU)
- EAC - Declaration of conformity (Russia-Kazakhstan-Belarus)

NOTE: Approvals apply to specific configurations/sizes only.



Valves configuration up to 2"

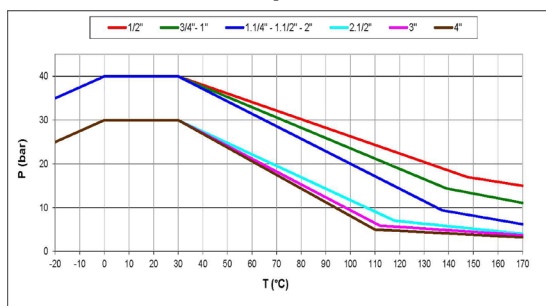


Valve ball seats and stem configuration of valves over 2" is different.

Torque for Actuator Sizing N.m

Delta P →	0 ÷ 15 Bar		40 Bar (30 Bar over 2")	
	To open	To close	To open	To close
1/2"	2,8	1,7	2,8	1,7
3/4"	3,8	2,3	3,8	2,3
1"	7,1	4,2	7,1	4,2
1.1/4"	11,7	12,6	13,6	12,6
1.1/2"	24,9	20,3	30,9	20,3
2"	29,6	25,1	37	25,1
2.1/2"	42	42	105	105
3"	102	102	120	120
4"	186	186	225	225

Pressure-Temperature Chart



Part Description	Q.ty	Material
1	1	Nickel plated body
2	2	Ball seat
3	1	Chrome plated ball
4	1	Nickel plated end-cap
5	1	Washer
6	1	Nickel plated stem O-ring design
7	2	O-Ring
8	2	O-Ring
9	1	Black anodized flange (only from 2.1/2" to 4")
10	2	Grub Screw (only from 2.1/2" to 4")

Code	S64D00	S64E00	S64F00	S64G00	S64H00	S64I00	S84L00AM	S84M00AM	S84N00AM
D (inch)	1/2	3/4	1	1 1/4	1 1/2	2	2 1/2	3	4
DN(mm)	15	20	25	32	40	50	65	80	100
I (mm)	15.5	18	21	23	24.5	26.5	32	35	41.5
L (mm)	75	80	90	110	120	140	156	177	216
G (mm)	30.5	37	45.5	52	59	67.5	78	88.5	108
H (mm)	31	38.5	42.5	55.5	62	69	89	96	111
CH(mm)	27	32	41	50	55	70	85	99	125
ØA(mm)	36	36	36	50	50	50	70	70	70
ØB(mm)	9	9	9	11	11	14	17	17	17
C (mm)	5.6	5.6	5.6	6.6	6.6	6.6	8.5	8.5	8.5
E (mm)	25	25	25	35	35	35	55	55	55
F (mm)	7.5	8.5	8.5	10	10	14.5	18	18	18
Flange connection DIN ISO 5211 DIN 3337	F03	F03	F03	F05	F05	F05	F07	F07	F07

Ball valves are marked CE on end cap from 1.1/4" to 4" as follow:
CE 1115 cat IIIB+D PS: 5 GAS TS1: -20°C TS2: +60°C

Torque correction factors

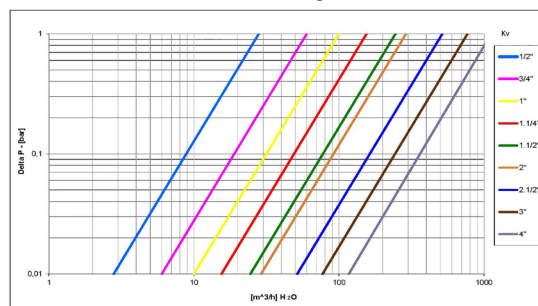
Valve torque can vary according to operating frequency, temperature and friction characteristics of the media.

If media has more or less friction than water, multiply torque by the following factors.

- Lubricating oils or liquids 0.8
- Dry gases, natural gas, superheated steam 1.5
- Slurries or liquids bearing abrasive particles 1.5 ÷ 2.5

Ask for additional information on the whole range of **RuB** valves and consult with your supplier for special applications.

Pressure Drop Chart



RuB endeavors to provide comprehensive information about the installation, maintenance and operation of its products. For more details or clarification, please contact us. **RuB** reserves the right to change or modify product design, construction, specifications, materials or the information herein without prior notice and without incurring any obligation to make such changes and modifications on **RuB** products previously or subsequently sold. Content of this document is proprietary to **RuB** and it may not be copied in part or in whole without prior written authorization from **RuB**. Recommendations on application design and material selection are based on available technical data and are offered as suggestions only. Pressure and temperature ranges are for generic use of the products. Each user should make his/her own tests to determine the suitability for his/her own particular use. **RuB** offers no express or implied warranties concerning the form, fit, or function of a product in any application. **RuB** does not accept liability for errors or omissions. Any undated reference to a code or standard shall be interpreted as referring to the latest edition. **RuB** and logo are registered trademarks of **Rubnetterrie utensilerie BONOMI srl**. Other logos are property of respective owners. XCES6400 - Rev: 3723