

s.26 DZR extended stem

full port 3/8"-2" dezincification-resistant hot forged ball valves

Several governmental authorities recommend use of special alloys for valves handling water in areas where there is a problem of dezincification. **RuB** CR valves are designed to meet such requirements.

Through the use of new technology these valves retain the reliability and competitiveness of brass, but are comparable to bronze in corrosion resistance.

Be kind with yourself, make sure the valve that brings you pure fresh water is an **RuB** CR valve.



Quality:

- 24h 100% seal test guaranteed
- Dual sealing system allows valve to be operated in either direction making installation easier
- No metal-to-metal moving parts
- Handle clearly shows ball position
- Silicone-free lubricant on all seals
- Chrome plated DZR brass ball for longer life
- Handle stops on body to avoid stresses at stem

Body:

- Hot forged sand blasted DZR unplated body and cap sealed with Loctite® or equivalent thread sealant
- Dezincification resistant ADZ-T and ADZ-P brass approved to SBN-PFS 1983:2 and NR-BFS 1988:18 specifications
- Extended stem forged in one piece with body allows perfect sealing and easy operation when valve is isolated

Stem:

- Two FPM O-rings at the stem for maximum safety
- Unplated DZR brass stem

Sealing:

- Pure PTFE self-lubricating seats with flexible-lip design

PED Directives:

- According to 2014/68/UE module A: it cannot be used with dangerous gases in sizes larger than 25mm



Threads:

- ISO 228 female by female threads

Flow:

- Full port to DIN 3357 for maximum flow

Handle:

- Geomet® carbon steel handle with thick PVC dip coating. Handle coating offers both thermal and electrical protection
- Handle removable with valve in service

Working Pressure:

- 30 Bar (450 PSI) non-shock cold working pressure

Working Temperature:

- -40°C (-40°F) / +170°C (+350°F)
- **WARNING:** freezing of the fluid in the installation may severely damage the valve

Options:

- T-handle
- Oval lockable handle
- AISI 430 stainless steel handle
- Patented locking device
- Short stem design

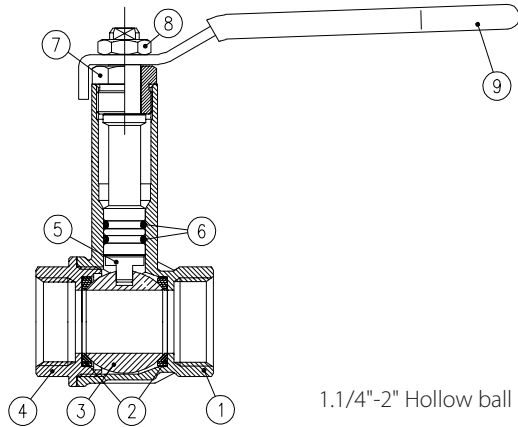
Upon Request:

- CW617N brass body and components
- AISI 316 stainless steel ball
- Glass filled PTFE seals
- Custom design
- Male by female threads

Approved by or in compliance with:

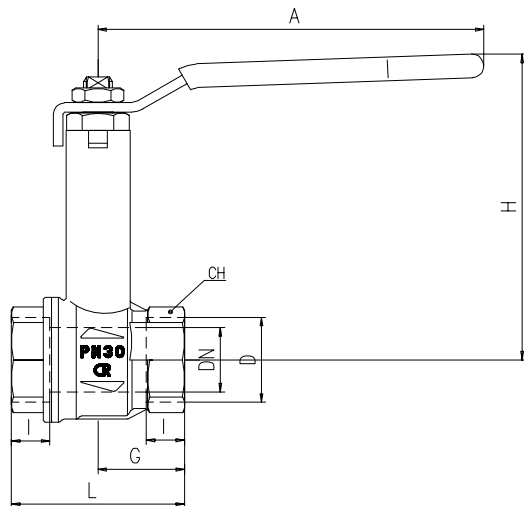
- Public Utilities Board (Singapore)
- GOST-R (Russia)
- Hygiene and epidemic center in Moscow city (Russia)
- UkrSepro (Ukraine)
- RoHS Compliant (EU)
- EAC - Declaration of conformity (Russia-Kazakhstan-Belarus)

NOTE: Approvals apply to specific configurations/sizes only.



1.1/4"-2" Hollow ball

Part description	Q.ty	Material
1	1	CW602N
2	2	PTFE
3	1	CW602N
4	1	CW602N
5	1	CW602N
6	2	FPM
7	1	CW617N
8	1	CB4FF
9	1	DD11

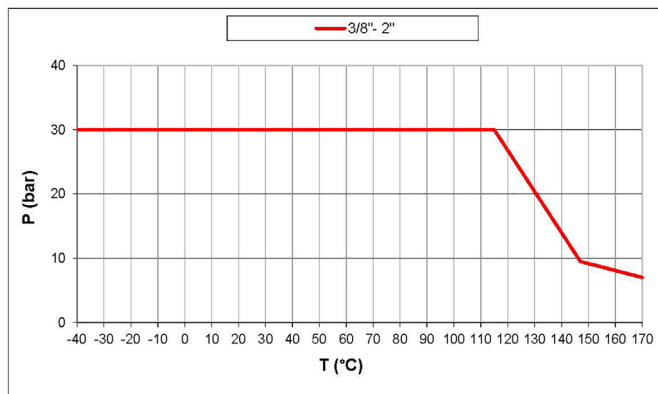


Valve code	S26C00	S26D00	S26E00	S26F00	S26G00	S26H00	S26I00
D (inch)	3/8	1/2	3/4	1	1 1/4	1 1/2	2
DN (mm)	10	15	20	25	32	40	50
I (mm)	9	11	12	14	15	17	19
L (mm)	39	50	54	67	77	90	106
G (mm)	19.5	25	27	33.5	38.5	45	53
A (mm)	100	100	120	120	158	158	158
H (mm)	85	88	95.5	99.5	124	130	137
CH (mm)	20	25	31	38	48	54	66

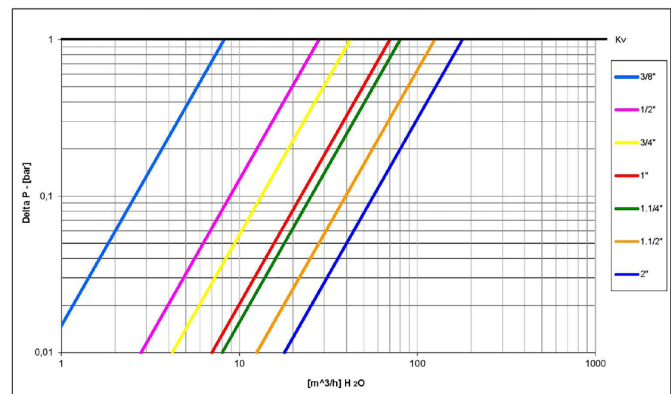
DN shows the nominal flow diameter. Actual flow diameter complies with full port DIN 3357 part 4.

Ask for additional information on the whole range of **RuB** valves and consult with your supplier for special applications.

Pressure-Temperature Chart



Pressure Drop Chart



RuB endeavors to provide comprehensive information about the installation, maintenance and operation of its products. For more details or clarification, please contact us. **RuB** reserves the right to change or modify product design, construction, specifications, materials or the information herein without prior notice and without incurring any obligation to make such changes and modifications on **RuB** products previously or subsequently sold. Content of this document is proprietary to **RuB** and it may not be copied in part or in whole without prior written authorization from **RuB**. Recommendations on application design and material selection are based on available technical data and are offered as suggestions only. Pressure and temperature ranges are for generic use of the products. Each user should make his/her own tests to determine the suitability for his/her own particular use. **RuB** offers no express or implied warranties concerning the form, fit, or function of a product in any application. **RuB** does not accept liability for errors or omissions. Any undated reference to a code or standard shall be interpreted as referring to the latest edition. **RuB** and logo are registered trademarks of **Rubinetteria utensilerie BONOMI srl**. Other logos are property of respective owners. XCES26 - Rev: 3707