

36 717 892 Product version from 4/1/2024



- 240mm projection
- fixed spout
- circular, air-enriched flow
- hole diameter valve 35 mm
- hole diameter spout 35 mm
- rosette Ø 55 mm
- max. flow 7 l/min
- lead-free
- WRAS
- This product can help a building meet the requirements of Green Building Rating Systems, e.g. LEED®, BREEAM®, DGNB

|   |                                |               |
|---|--------------------------------|---------------|
|    | Matte Black                    | 36 717 892-33 |
|    | Chrome                         | 36 717 892-00 |
|    | Brushed Platinum               | 36 717 892-06 |
|    | Platinum                       | 36 717 892-08 |
|    | Dark Chrome                    | 36 717 892-19 |
|    | Brushed Durabronze (23kt Gold) | 36 717 892-28 |
|    | Brushed Gold (PVD)             | 36 717 892-37 |
|    | Brushed Dark Brass (PVD)       | 36 717 892-39 |
|    | Brushed Bronze (PVD)           | 36 717 892-42 |
|   | Brushed Dark Bronze (PVD)      | 36 717 892-43 |
|  | Brushed Champagne (22kt Gold)  | 36 717 892-46 |
|  | Champagne (22kt Gold)          | 36 717 892-47 |
|  | Brushed Chrome                 | 36 717 892-93 |
|  | Brushed Dark Platinum          | 36 717 892-99 |

Required miscellaneous



**Concealed wall-mounted mixer variable positioning -** 35 720 970 90  
 •min. recess depth 85 mm  
 •max. recess depth 145 mm

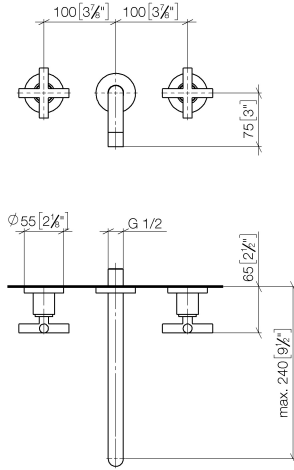
Required miscellaneous



**Concealed wall-mounted mixer centred spout -** 35 700 970 90  
 •min. recess depth 85 mm  
 •max. recess depth 145 mm

36 717 892 Product version from 4/1/2024

mm [inches]



Flow rate chart



Codes & Standards

|                             |           |            |                        |
|-----------------------------|-----------|------------|------------------------|
| DIN 4109                    | EN 200    | ISO 3822   | Scottish Water Byelaws |
| UK Water Supply Regulations | Ü-Zeichen | VA-Zeichen | XP P 41-280            |



## TARA Wall-mounted basin mixer without pop-up waste - Matte Black

TARA

36 717 892 Product version from 4/1/2024

### Certificates and sustainability

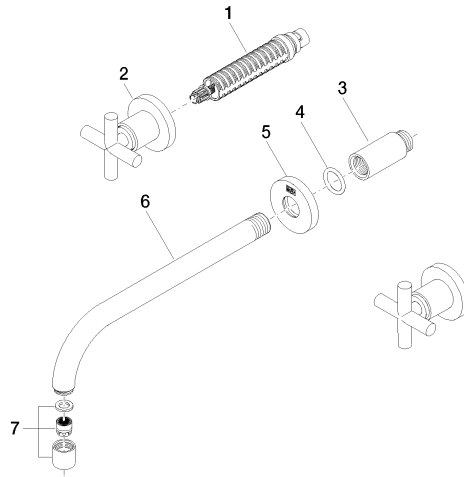
LGA\_18

WRAS\_2107

ETA\_19

ACS\_20 ACC LY

EPD-DOR-20230287  
-IBA1-EN  
Environmental.prod  
uct-declarat



## Spare parts list

| No.  | Item Number        | Name   | Quantity used | Delivery time |
|--|--------------------|--|---------------|---------------|
| 4  | 90 14 10 026 00 90 | O-Ring 20,5 x 3,5 mm -                           | 1.00          | 14            |
| 3  | 09 24 03 081 10 90 | Extension 1/2" x 50 mm -                         | 1.00          | 14            |
| 2  | 36 310 892-33      | TARA Wall valve - Matte Black                    | 2.00          | -             |
| Spare part can no longer be ordered, please order the replacement item |                    |  |               |               |
| 1  | 90 90 03 157 00 90 | Head part clockwise closing 1/2" -               | 2.00          | 14            |
| 6  | 04 28 22 105 10-33 | Spout 240 mm - Matte Black                       | 1.00          | 40            |
| 7  | 90 23 01 019 00-33 | Aerator M18x1-IG 7,0 l/min. - Matte Black        | 1.00          | 40            |
| 5  | 09 27 22 503-33    | Rosette DB logo Ø 55 x Ø 22 x 9 mm - Matte Black | 1.00          | 40            |