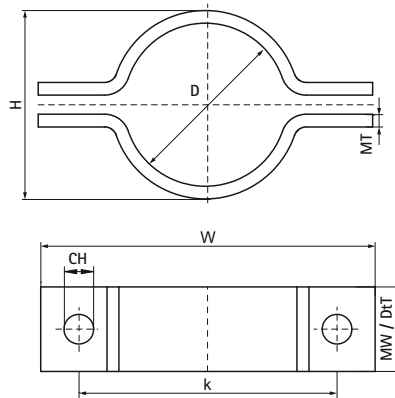


Walraven Split Band Clip DIN 3567 Type A

(B1508)

for industrial and heavy applications



Features & benefits

- each clamp delivered as two clamp halves
- for common pipe diameters
- for heavy duty fixing of pipes and tubes to steel beams, profiles, brackets
- bolts, nuts and washers are not included
- material: steel 1.0038 (S235JR)
- no surface treatment

EPD

Product Number	DN	Total Height	Total Width	Total Depth	Material Width	Material Thickness	Connection Hole	Heart To Heart Distance	Screw Size	Maximum Allowed Load Faz
Reference letter	D	H	W	Dt	MW	MT	CH	k	ds	F _{a,z}
Unit description		mm	mm	mm	mm	mm	mm	mm		N
46100027	DN 20	37	96	30	30	5.00	11.5	66	M10	7,400
46100034	DN 25	44	102	30	30	5.00	11.5	72	M10	7,400
46100043	DN 32	53	112	30	30	5.00	11.5	82	M10	7,400
46100049	DN 40	59	118	30	30	5.00	11.5	88	M10	7,400
46100061	DN 50	73	144	40	40	6.00	14	108	M12	14,000
46100077	DN 65	89	158	40	40	6.00	14	122	M12	14,000
46100089	DN 80	101	172	40	40	6.00	14	136	M12	14,000
46100108	DN 100	124	220	50	50	8.00	18	172	M16	24,000
46100115	DN 100	131	226	50	50	8.00	18	178	M16	24,000
46100133	DN 125	149	244	50	50	8.00	18	196	M16	24,000
46100140	DN 125	156	252	50	50	8.00	18	204	M16	24,000
46100169	DN 150	185	280	50	50	8.00	18	232	M16	24,000
46100220	DN 200	236	332	50	50	8.00	18	284	M16	24,000
46100273	DN 250	289	408	60	60	8.00	23	348	M20	39,500
46100324	DN 300	340	458	60	60	8.00	23	398	M20	39,500
46100356	DN 350	372	492	60	60	8.00	23	432	M20	39,500
46100407	DN 400	427	570	70	70	10.00	27	498	M24	47,000
46100508	DN 500	528	672	70	70	10.00	27	600	M24	47,000
46100610	DN 600	630	790	70	70	10.00	30	718	M24	47,000