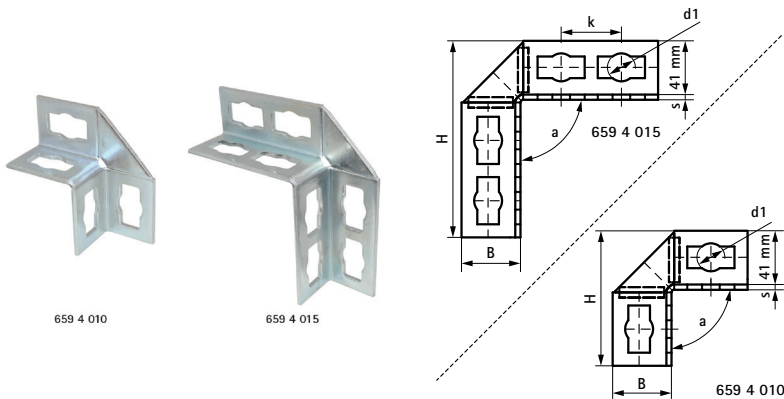


Walraven PushStrut Connector 90°

(H2920)

for easy installation of complex rail constructions



Features & benefits

- easily combined with all common Walraven RapidStrut® profiles
- lateral edges offers great stability
- flexible use of hole pattern (flexible twist of hole pattern possible)
- timesaving and flexible
- easy to remove and reusable
- 3D constructions due to 3D Connectors
- material: steel
- zinc plated

Product Number	Angle	Total Width x Total Height x Total Length	Material Thickness	Width	Torque Moment For Installation
<i>Reference letter</i> a		<i>W x H x L</i>	<i>MT</i>	<i>w</i>	<i>T_{inst.}</i>
<i>Unit description</i> (DEG)		<i>(mm) x (mm) x (mm)</i>	<i>(mm)</i>	<i>(mm)</i>	<i>(Nm)</i>
6594010	90	45 x 150 x 150	4	41	40
6594015	90	45 x 103 x 103	4	41	40