

## Data Sheet | Item Number: 734-533

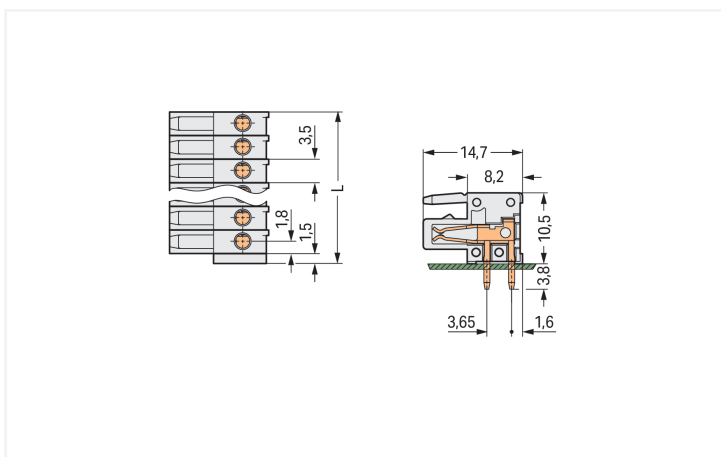
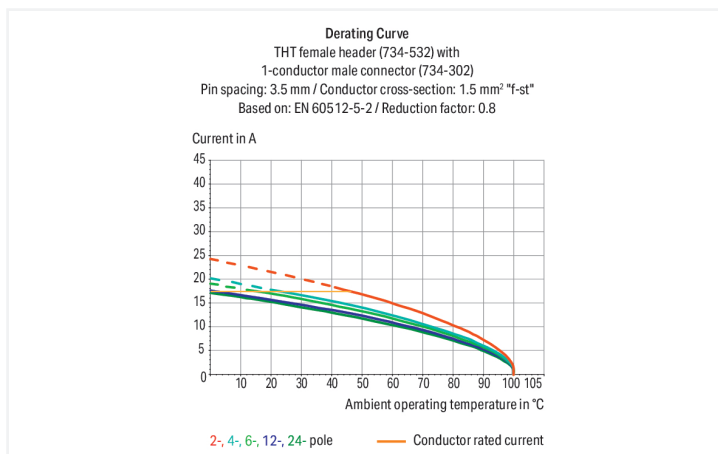
THT female header; angled; Pin spacing 3.5 mm; 3-pole; 100% protected against mismatching; 0.9 x 0.9 mm solder pin; light gray

<https://www.wago.com/734-533>



Color: ■ light gray

Similar to illustration



Dimensions in mm

$L = (\text{pole no.} \times \text{pin spacing}) + 1.5 \text{ mm}$

Female connector, 734 Series, light gray

Error-free electrical installations are guaranteed with this female connector (item number 734-533). The item's dimensions are (12 x 14.3 x 14.65) mm (width x height x depth).

Tin is used for coating the contact surfaces. The pcb connector is designed for THT soldering.

## Notes

## Safety Information

The MCS – MULTI CONNECTION SYSTEM includes connectors without breaking capacity in accordance with DIN EN 61984. When used as intended, these connectors must not be connected/disconnected when live or under load. When used as intended, these connectors must not be connected/disconnected when live or under load. The circuit design should ensure header pins, which can be touched, are not live when unmated.

## Variants:

Other pole numbers

Gold-plated or partially gold-plated contact surfaces

Other versions (or variants) can be requested from WAGO Sales or configured at <https://configurator.wago.com/>.

## Electrical data

| Ratings per                     |  | IEC/EN 60664-1 |        |        | Approvals per |       | UL 1059 |       |  |
|---------------------------------|--|----------------|--------|--------|---------------|-------|---------|-------|--|
| Overvoltage category            |  | III            | III    | II     | Use group     | B     | C       | D     |  |
| Pollution degree                |  | 3              | 2      | 2      | Rated voltage | 300 V | -       | 300 V |  |
| Nominal voltage                 |  | 160 V          | 160 V  | 320 V  | Rated current | 10 A  | -       | 10 A  |  |
| Rated impulse withstand voltage |  | 2.5 kV         | 2.5 kV | 2.5 kV |               |       |         |       |  |
| Rated current                   |  | 10 A           | 10 A   | 10 A   |               |       |         |       |  |

| Approvals per |  | CSA   |   |       |
|---------------|--|-------|---|-------|
| Use group     |  | B     | C | D     |
| Rated voltage |  | 300 V | - | 300 V |
| Rated current |  | 10 A  | - | 10 A  |

## Connection Data

|                            |   | Connection 1 |   |
|----------------------------|---|--------------|---|
| Clamping units             | 3 | Pole number  | 3 |
| Total number of potentials | 3 |              |   |
| Number of connection types | 1 |              |   |
| Number of levels           | 1 |              |   |

## Physical data

|                                      |                         |
|--------------------------------------|-------------------------|
| Pin spacing                          | 3.5 mm / 0.138 inches   |
| Width                                | 12 mm / 0.472 inches    |
| Height                               | 14.3 mm / 0.563 inches  |
| Height from the surface              | 10.5 mm / 0.413 inches  |
| Depth                                | 14.65 mm / 0.577 inches |
| Solder pin length                    | 3.8 mm                  |
| Solder pin dimensions                | 0.9 x 0.9 mm            |
| Drilled hole diameter with tolerance | 1.4 (+0.1) mm           |

## Mechanical data

|                          |     |
|--------------------------|-----|
| Variable coding          | Yes |
| Anti-rotation protection | Yes |

### Plug-in connection

|                                    |                         |
|------------------------------------|-------------------------|
| Contact type (pluggable connector) | Female connector/socket |
| Connector (connection type)        | for PCB                 |
| Mismating protection               | Yes                     |
| Mating direction to the PCB        | 0°                      |

### PCB contact

|                                     |  |
|-------------------------------------|--|
| PCB contact                         | THT  |
| Solder pin arrangement              | over the entire female connector (in-line) |
| Number of solder pins per potential | 1  |

### Material data

|                                    |  |
|------------------------------------|--|
| Note (material data)               | <a href="#">Information on material specifications can be found here</a> |
| Color                              | light gray   |
| Material group                     | I  |
| Insulation material (main housing) | Polyamide (PA66)   |
| Flammability class per UL94        | V0   |
| Contact material                   | Copper alloy   |
| Contact Plating                    | Tin  |
| Fire load                          | 0.027 MJ   |
| Weight                             | 1.7 g  |

### Environmental requirements

|                         |                 |
|-------------------------|-----------------|
| Limit temperature range | -60 ... +100 °C |
| Processing temperature  | -35 ... +60 °C  |

### Commercial data

|                       |                        |
|-----------------------|------------------------|
| Product Group         | 3 (Multi Conn. System) |
| PU (SPU)              | 200 pcs                |
| Packaging type        | Box                    |
| Country of origin     | DE                     |
| GTIN                  | 4045454120580          |
| Customs tariff number | 85366990990            |

### Product Classification

|             |                      |
|-------------|----------------------|
| UNSPSC      | 39121409             |
| eCl@ss 10.0 | 27-44-04-02          |
| eCl@ss 9.0  | 27-44-04-02          |
| ETIM 9.0    | EC002637             |
| ETIM 10.0   | EC002637             |
| ECCN        | NO US CLASSIFICATION |

| Environmental Product Compliance |                         |
|----------------------------------|-------------------------|
| RoHS Compliance Status           | Compliant, No Exemption |

### Approvals / Certificates

| General approvals                     |          |                  | Approvals for marine applications |           |                   |
|---------------------------------------|----------|------------------|-----------------------------------|-----------|-------------------|
|                                       |          |                  |                                   |           |                   |
| Approval                              | Standard | Certificate Name | Approval                          | Standard  | Certificate Name  |
| CB<br>DEKRA Certification B.V.        | EN 61984 | NL-54190         | DNV<br>DNV GL SE                  | -         | TAE000016Z        |
| CSA<br>DEKRA Certification B.V.       | C22.2    | 1465035          | LR<br>Lloyds Register             | IEC 61984 | 96/20035 (E5)     |
| KEMA/KEUR<br>DEKRA Certification B.V. | EN 61984 | 71-105522        | PRS<br>Polski Rejestr Statków     | -         | TE/1095/880590/23 |
| UL<br>Underwriters Laboratories Inc.  | UL 1977  | E 45171          |                                   |           |                   |

### Downloads

| Environmental Product Compliance         |                   |
|--|-------------------|
| Compliance Search                        |                   |
| Environmental Product Compliance 734-533 | <a href="#">↓</a> |

### Documentation

| Additional Information |            |                   |                   |
|------------------------|------------|-------------------|-------------------|
| Technical Section      | 03.04.2019 | pdf<br>2027.26 KB | <a href="#">↓</a> |

### CAD/CAE-Data

|  |   |
|--|---|
| CAD data                               | CAE data                                    |
| 2D/3D Models 734-533 <a href="#">↓</a> | EPLAN Data Portal 734-533 <a href="#">↓</a> |
|  | ZUKEN Portal 734-533 <a href="#">↓</a>      |

### PCB Design

|  |
|--|
| Symbol and Footprint via SamacSys 734-533 <a href="#">↓</a>        |
| Symbol and Footprint via Ultra Librarian 734-533 <a href="#">↓</a> |

Subject to changes. Please also observe the further product documentation!

Current addresses can be found at: [www.wago.com](http://www.wago.com)