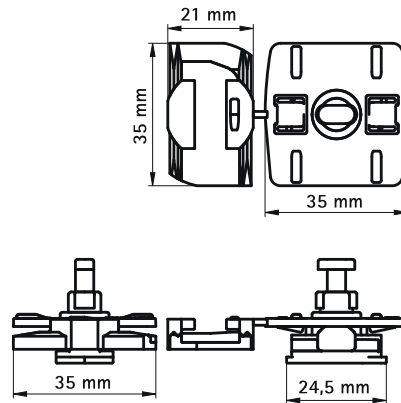


Walraven starQuick® Universal Rail Adaptor

(C0557)

for use with Walraven starQuick®



Features & benefits

- for fixing Walraven starQuick® clamps to Walraven RapidRail® or RapidStrut®
- to add pipework quickly and simply to an existing installation
- suitable for Walraven starQuick® clamp dimensions 10 up to 51mm
- suitable for rail WM0, 1, 15, 2, 30, 35 + Strut
- material: modified PA6 (polyamide), grey (according to RAL 7035)
- resistant to UV, ageing, oil and petrol
- no corrosion, recyclable, halogen free
- temperature resistance from approx. -40 °C to approx. +90 °C (constant); short to approx. +130 °C

Product Number	Total Height	Total Width	Total Depth
<i>Reference letter</i> H		W	DtT
<i>Unit description</i> (mm)		(mm)	(mm)
0854332	30	35	36