

Wall valve clockwise closing 1/2" - Chrome

SERIES SPECIFIC

36 607 740 Product version from 7/1/2023



- without rosette
- handle Ø 60mm
- without marking
- head part with cut-to-length spindle and sleeve
- WRAS

| | | |
|---|-------------------------------|---------------|
|  | Chrome | 36 607 740-00 |
|  | Brushed Platinum | 36 607 740-06 |
|  | Dark Chrome | 36 607 740-19 |
|  | Light Gold (PVD) | 36 607 740-26 |
|  | Brushed Light Gold (PVD) | 36 607 740-27 |
|  | Brushed Durabrass (23kt Gold) | 36 607 740-28 |
|  | Matte Black | 36 607 740-33 |
|  | Brushed Gold (PVD) | 36 607 740-37 |
|  | Brushed Dark Brass (PVD) | 36 607 740-39 |
|  | Brushed Bronze (PVD) | 36 607 740-42 |
|  | Brushed Dark Bronze (PVD) | 36 607 740-43 |
|  | Brushed Champagne (22kt Gold) | 36 607 740-46 |
|  | Champagne (22kt Gold) | 36 607 740-47 |
|  | Brushed Chrome | 36 607 740-93 |
|  | Brushed Dark Platinum | 36 607 740-99 |

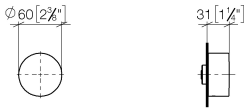
Required miscellaneous

- Wall valve 1/2" -** 35 607 970 90
- min. recess depth 85 mm
 - max. recess depth 145 mm



36 607 740 Product version from 7/1/2023

mm [inches]



Flow rate chart



Codes & Standards

| | | | |
|----------------|----------|------------------------|-----------------------------|
| ASME A112.18.1 | cUPC | DIN 4109 | EN 1111 |
| EN 200 | ISO 3822 | Scottish Water Byelaws | UK Water Supply Regulations |

Ü-Zeichen



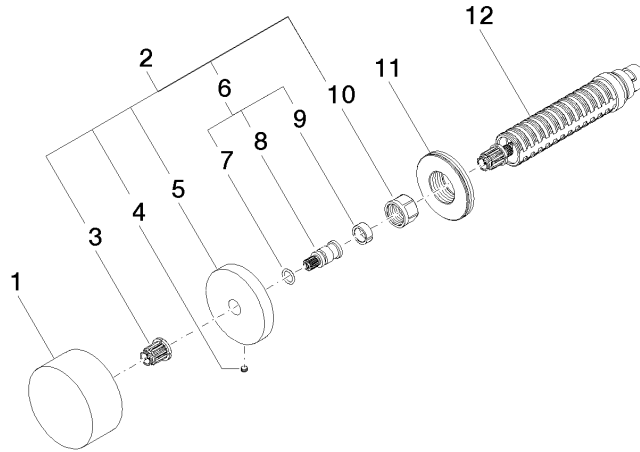
Wall valve clockwise closing 1/2" - Chrome

SERIES SPECIFIC

36 607 740 Product version from 7/1/2023

Certificates and sustainability

| | | | | |
|-----------|-----------------|--------------|--|--------|
| WRAS_2011 | DVGW_DW-6501DN0 | LGA_38 | DVGW_DW-6512DN0 | LGA_29 |
| WRAS_2010 | LGA_29 | IAPMO_4976 (| EPD-DOR-20230287-IBA1-EN Environmental.prod uct-declarat | |



Spare parts list

| No. | Item Number | Name | Quantity used | Delivery time |
|-----|--------------------|---|---------------|---------------|
| 7 | 90 14 10 060 00 90 | O-Ring 8,0 x 1,5 mm - | 1.00 | 14 |
| 11 | 09 30 01 107 90 | Connection Ø 48 x 13 mm - | 1.00 | 14 |
| 3 | 90 12 12 002 00 90 | Fixing cap white Ø 15 x 12 mm - | 1.00 | 14 |
| 1 | 09 20 74 004-00 | Handle Ø 60 x 29 mm - Chrome | 1.00 | 20 |
| 4 | 09 31 11 055 90 | Mounting Threaded pin with hexagon socket with point M4 x 3,5 mm - | 1.00 | 14 |
| 5 | 09 27 74 004-00 | Rosette Ø 55 x 9,5 x Ø 11,1 mm - Chrome | 1.00 | 20 |
| 8 | 09 29 06 020-00 | Connection Spindle Ø 12 x 28 mm - Chrome | 1.00 | 20 |
| 9 | 90 14 15 020 03 90 | Support ring - | 1.00 | 14 |
| 10 | 90 23 30 023 00 90 | Cap nut - | 1.00 | 14 |
| 12 | 90 90 03 143 00 90 | Head part clockwise closing 1/2" - | 1.00 | 14 |
| 2 | 04 27 74 004 00-00 | Rosette without logo 50 x 50 x 9,5 mm - Chrome | 1.00 | 20 |
| 6 | 04 29 06 020 00-00 | Connection 14 x 28 x 14 mm - Chrome | 1.00 | 20 |