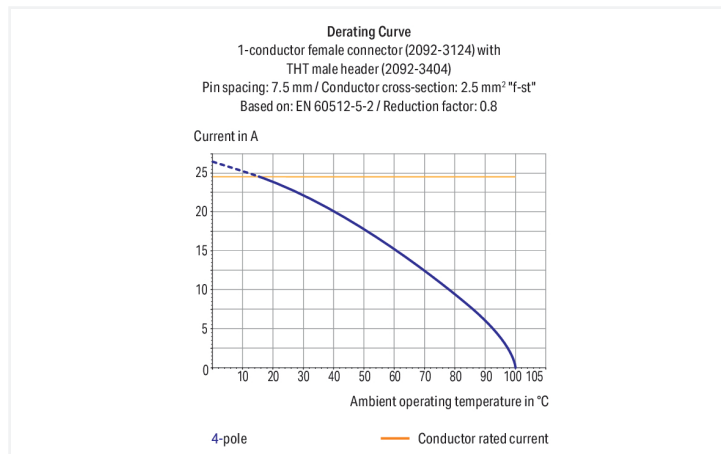
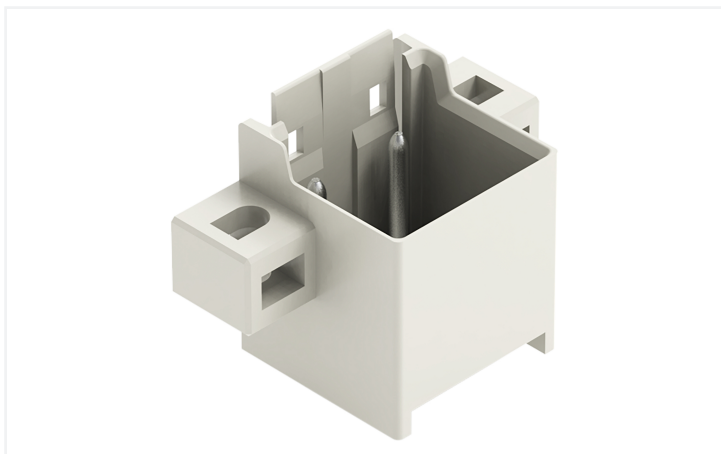


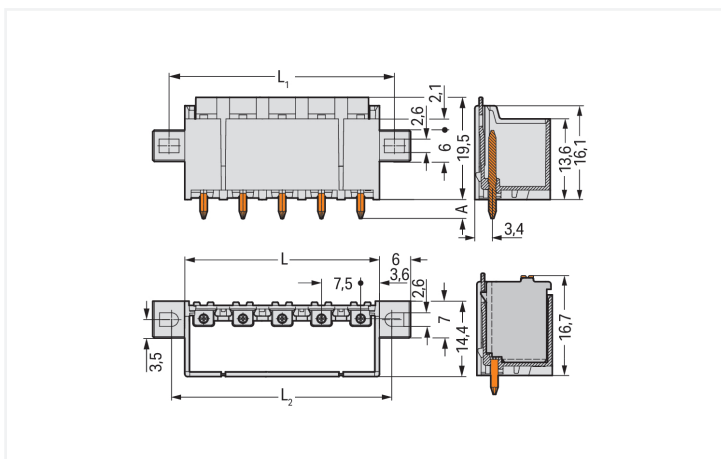
# Data Sheet | Item Number: 2092-3402/205-000

THR male header; 1.4 mm Ø solder pin; straight; clamping collar; Pin spacing 7.5 mm; 2-pole; light gray

<https://www.wago.com/2092-3402/205-000>



Color: ■ light gray



Dimensions in mm

$L = (\text{pole no.} - 1) \times \text{pin spacing} + 7.2 \text{ mm}$   
 $L_1 = (\text{pole no.} \times \text{pin spacing}) + 5.5 \text{ mm}$   
 $L_2 = (\text{pole no.} \times \text{pin spacing}) + 4.5 \text{ mm}$   
 $A = 3.6 \text{ mm}$  THT solder pin  
 $A = 2.4 \text{ mm}$  THR solder pin

Male connector, 2092 Series, with 7.5 mm pin spacing

This male connector (item number 2092-3402/205-000) provides hassle-free electrical installations. Dimensions: (26.7 x 21.9 x 14.4) mm (width x height x depth).

Tin is used for coating the contact surfaces. The pcb connector is designed for THR soldering.

## Notes

## Safety Information

The **picoMAX® Pluggable Connection System** includes connectors without breaking capacity in accordance with DIN EN 61984. When used as intended, these connectors must not be connected/disconnected when live or under load. When used as intended, these connectors must not be connected/disconnected when live or under load. The circuit design should ensure header pins, which can be touched, are not live when unmated.

## Variants:

Direct marking  
Tape-and-reel packaging  
Other versions (or variants) can be requested from WAGO Sales or configured at <https://configurator.wago.com/>.

## Electrical data

Ratings per	IEC/EN 60664-1			Approvals per	UL 1059		
	III	III	II		Use group	B	C
Oversvoltage category	III	III	II	Use group	B	C	D
Pollution degree	3	2	2	Rated voltage	300 V	-	300 V
Nominal voltage	400 V	630 V	1000 V	Rated current	15 A	-	10 A
Rated impulse withstand voltage	6 kV	6 kV	6 kV				
Rated current	16 A	16 A	16 A				

## Connection Data

Total number of potentials	2	<b>Connection 1</b>
Number of connection types	1	Pole number
Number of levels	1	2

## Physical data

Pin spacing	7.5 mm / 0.295 inches
Width	26.7 mm / 1.051 inches
Height	21.9 mm / 0.862 inches
Height from the surface	19.5 mm / 0.768 inches
Depth	14.4 mm / 0.567 inches
Solder pin length	2.4 mm
Solder pin diameter	1.4 mm
Plated through-hole diameter (THR)	1.6 <sup>(+0.1)</sup> mm

## Mechanical data

Variable coding	Yes
Mounting type	Mounting flange
Mounting type	Feed-through mounting Panel mounting
Anti-rotation protection	Yes
Suitable for through-panel applications	Yes

### Plug-in connection

Contact type (pluggable connector)	Male connector/plug
Connector (connection type)	for PCB
Mismating protection	No
Plugging without loss of pin spacing	Yes
Mating direction to the PCB	90 °
Locking of plug-in connection	Locking latch

### PCB contact

PCB contact	THR
-------------	-----

### Material data

Note (material data)	<a href="#">Information on material specifications can be found here</a>
Color	light gray
Material group	I
Insulation material (main housing)	Polyphthalamide (PPA GF)
Flammability class per UL94	V0
Contact material	Electrolytic copper (E <sub>Cu</sub> )
Contact Plating	Tin
Fire load	0.053 MJ
Weight	2.2 g
MSL per J-STD 020D	1

### Environmental requirements

Limit temperature range	-60 ... +100 °C
Processing temperature	-35 ... +60 °C

### Commercial data

PU (SPU)	100 pcs
Packaging type	Box
Country of origin	DE
GTIN	4050821396598
Customs tariff number	85366930000

### Product Classification

UNSPSC	39121409
eCl@ss 10.0	27-44-04-02
eCl@ss 9.0	27-44-04-02
ETIM 9.0	EC002637
ETIM 10.0	EC002637
ECCN	NO US CLASSIFICATION

**Environmental Product Compliance**

RoHS Compliance Status	Compliant, No Exemption
------------------------	-------------------------

**Approvals / Certificates**

**General approvals**



Approval	Standard	Certificate Name
CB DEKRA Certification B.V.	IEC 61984	NL-89885
CSA CSA Group	C22.2	2362521
cURus Underwriters Laboratories Inc.	UL 1059	E45172
KEMA/KEUR DEKRA Certification B.V.	EN 61984	71-129874
UL Underwriters Laboratories Inc.	UL 1977	E45171

**Downloads**

**Environmental Product Compliance**

Compliance Search	
Environmental Product Compliance 2092-3402/205-000	<a href="#">↓</a>

**Documentation**

Additional Information			
Technical Section	03.04.2019	pdf 2027.26 KB	<a href="#">↓</a>
		pdf 611.20 KB	<a href="#">↓</a>

**CAD/CAE-Data**

CAD data	
2D/3D Models 2092-3402/205-000	<a href="#">↓</a>

CAE data	
ZUKEN Portal 2092-3402/205-000	<a href="#">↓</a>

PCB Design

Symbol and Footprint  
via SamacSys  
2092-3402/205-000



Symbol and Footprint  
via Ultra Librarian  
2092-3402/205-000



1 Compatible Products

1.1 System counterpart

1.1.1 Female connector/socket



[Item No.: 2092-3122](#)

1-conductor female connector; push-button; Push-in CAGE CLAMP®; 2.5 mm²; Pin spacing 7.5 mm; 2-pole; 2,50 mm²; light gray

1.2 Optional Accessories

1.2.1 Coding

1.2.1.1 Coding



[Item No.: 2092-1610](#)

Coding key carrier; orange

Installation Notes

Coding



Coding a male header (via coding key carrier and two keys for male header, see symbol).