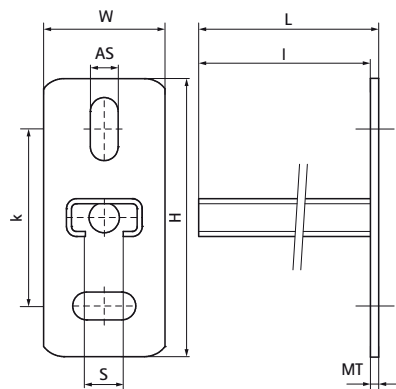


Walraven RapidRail® Stainless Steel Cantilever Arm

(M2505)

fixing to wall or ceiling



Features & benefits

- wall plate with welded C-profile
- slots at 90° to each other to simplify fixing
- CO₂ welded
- material: stainless steel 1.4404 (AISI 316L)
- for more information about the max. allowed load (Faz) please refer to the loading tables or our online datasheet 'Technical Details Walraven RapidRail®'
- Tested values in combination with Walraven RapidStrut® Rail 41x41x2.5mm.



Product Number	VVS Number	Type	Length	Total Height	Total Width	Total Length	Material Thickness	Anchoring Slot	Profile Opening	Heart To Heart Distance
<i>Reference letter</i>			<i>l</i>	<i>H</i>	<i>W</i>	<i>L</i>	<i>MT</i>	<i>AS</i>	<i>S</i>	<i>k</i>
<i>Unit description</i>			<i>mm</i>	<i>mm</i>	<i>mm</i>	<i>mm</i>	<i>mm</i>	<i>mm</i>	<i>mm</i>	<i>mm</i>
6607120	018051120	30x15	200	110	48	205	5.00	25x11	15	70
6607230	018051130	30x30	300	110	48	305	5.00	25x11	15	70
6607250	018051150	30x30	500	110	48	505	5.00	25x11	15	70