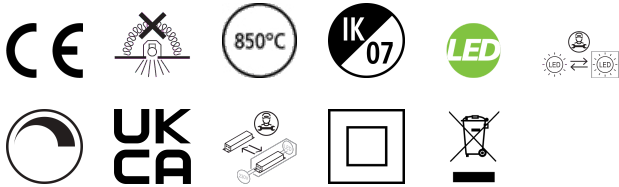


START Downlight 90 IP54 830Lm 830 DIM

Item No: 0030379

SYLVANIA

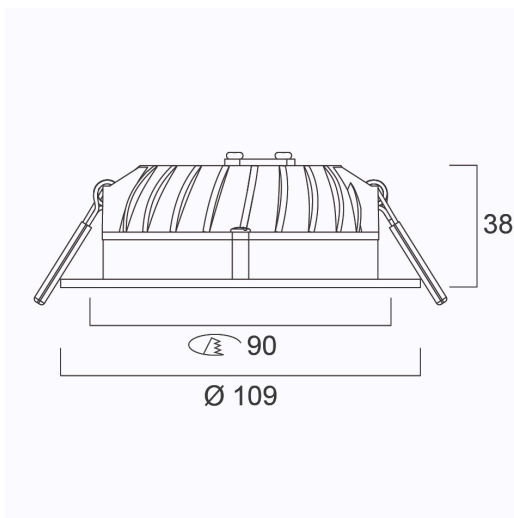
STARTTM



Ceiling recessed LED downlight IP54 (from the front) with phase dimmable driver, perfect where limited ceiling void is available with only 38mm product depth and 90mm cutout. The polycarbonate diffuser allows for a wider light distribution and increased spacings between luminaires. Loop in loop out connector allows for quick installation. Die-cast aluminium body, 830LM, 3000K, Driver Current: 250mA, CRI80, 80° beam angle, IP54 from the front, IK07, (HxW) 38x109mm, Class 2, 220-240V. Meets TP(a) requirements.

Technical Assets

Dimensions (mm)

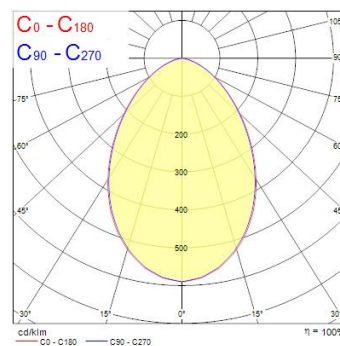


Photometrics

Distance [m]	Cone diameter [m]	E107	E100	E100
0.5	0.78	1987	478	472
	0.79	38.0°	35.4°	35.4°
1.0	1.50	489	120	115
	1.59	38.0°	35.4°	35.4°
1.5	2.24	217	83	81
	2.35	38.0°	35.4°	35.4°
2.0	3.13	122	30	28
	3.17	38.0°	35.4°	35.4°
2.5	3.91	78	19	19
	3.96	38.0°	35.4°	35.4°
3.0	4.69	54	13	12
	4.75	38.0°	35.4°	35.4°

Distance [m] Cone diameter [m] Illuminance [lx]

— C0 - C180 (Half beam angle: 76.0°)
— C90 - C270 (Half beam angle: 76.0°)



START Downlight 90 IP54 830Lm 830 DIM

Item No: 0030379

SYLVANIA

General data

Product name	START Downlight 90 IP54 830Lm 830 DIM
Technology	LED
Cap/Base	N/A
Housing	Aluminium
Mount	Ceiling recessed mounting
General application	Hospitality, Logistics & Industry, Office
Operating temperature range (°C)	-10°C...+40°C
Performance ambient temperature Tq (°C)	40
ETIM Class	EC001744
E-number FI	4278448
Warranty	5 years

Optical data

Useful luminous flux (Φ_{use})	830
Fixture luminous flux (lm)	830
Luminous flux (lm)	830
Luminaire efficacy (lm/W)	100
Correlated colour temperature (k)	3000
Light colour	Warm White
CRI (Ra)	80
Colour Variation Initial (SDCM)	SDCM3
Beam Angle (°)	80
Distribution type	Symmetric
Glare control	< 28
Photobiological Risk Group	RG0

Electrical data

Total power consumption (W)	8.3
Primary Supply/Product voltage - min (V)	220.0
Primary Supply/Product voltage - max (V)	240.0
Lamp power factor	0.9
THD (at 230 V, 50 Hz, full load, at 100% dimming level) $\leq xx.x$ %	20.0
Electrical protection	Class II
Control gear required	No
Control gear type	LED driver constant current
No. Of switching cycles before premature failures	>100000
Dimmable	Yes
Dimming method	Mains: leading / trailing edge
Drive current (mA)	250
Inrush Current (A)	7.5
Inrush Duration (μ s)	80
Energy Efficiency Class (A->G) of contained light source	D
Nominal Frequency (Hz)	50/60Hz
LED Flickering Rate	Low (6% - 20%)
Max. products per 10A C Breaker	60
Max. products per 13A C Breaker	75
Max. products per 16A C Breaker	93
Max. products per 20A C Breaker	102
Max. products per 16A B Breaker	60
Connectable conductor cross section - Min (mm ²)	0.5
Connectable conductor cross section - Max (mm ²)	1.5

START Downlight 90 IP54 830Lm 830 DIM

Item No: 0030379

SYLVANIA

Lifetime data

Lifespan L70 B50	100000
Lifespan L70 B20	100000
Lifespan L70 B10	100000
Lifespan L80 B50	78000
Lifespan L80 B20	74000
Lifespan L80 B10	72000
Lifespan L90 B50	38000
Lifespan L90 B20	36000
Lifespan L90 B10	34000

Physical data

Housing colour	RAL 9010 - Pure white
IP rating	IP54/20
IK rating	IK07
Diffuser finish	Frosted
Diffuser material	PC Polycarbonate
Reflector finish	High-gloss
Nominal Product Height (mm)	38
Nominal Product Diameter (mm)	109
Weight (kg)	0.261

Packaging

Product EAN number	5410288303796
Packaging single length / height (cm)	16.2
Packaging single width (cm)	15.0
Packaging single depth (cm)	6.5
DUN14 (inner)	15410288303793
Units per outer package	20
Packaging outer length / height (cm)	34.0
Packaging outer width (cm)	31.5
Packaging outer depth (cm)	34.5

Safety data

Glow Wire Test (°C)	850
Optimal operating condition (°C)	-10-40