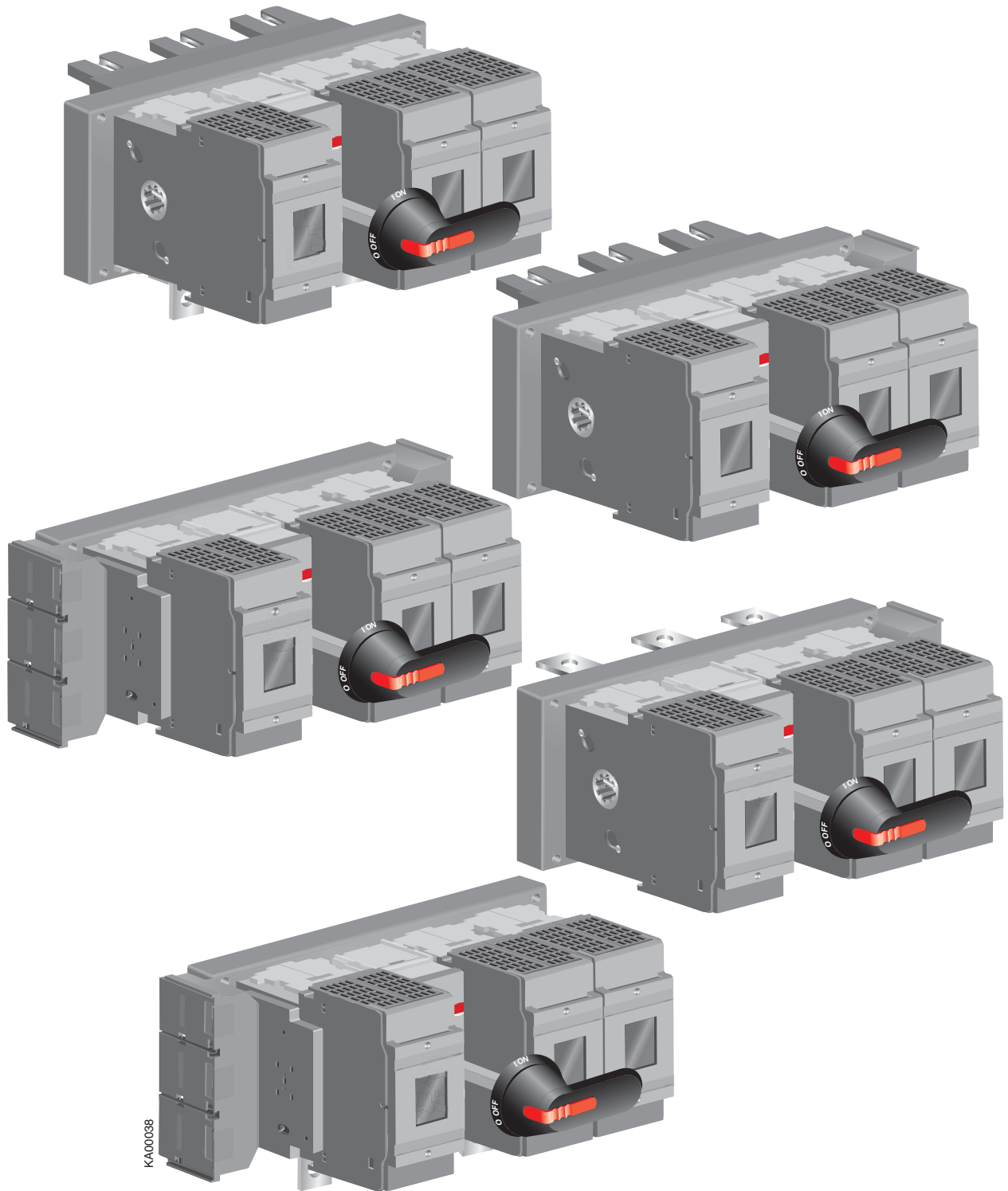


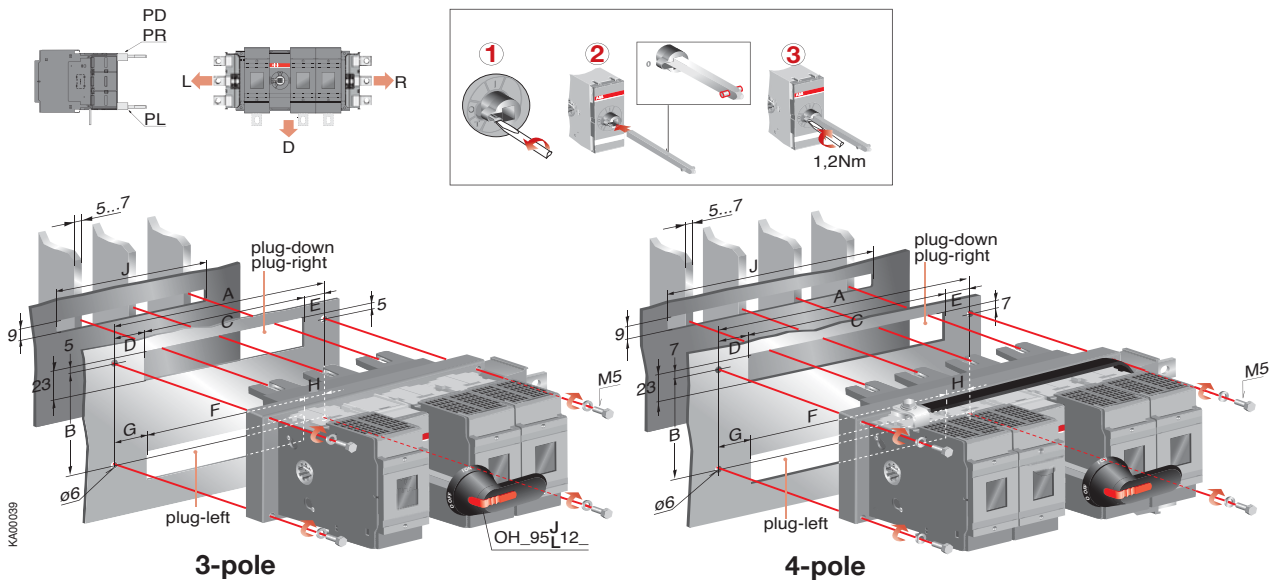
OS315-400PD-LR

1SCC311018M0002

Document no. 34OS315-400PD-LR B



OS315-400_PD OS315-400_PR OS315-400_PL

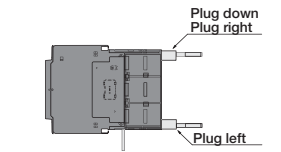


3-pole	A	B	C	D	E	F	G	H	K
OS315-400_12PD-PR									
OS315B12PD	262	138	169	40	53	-	-	-	164
OS400D12PD									
OS400B12PD									
OS315B12PR									
OS400B12PR									
OS400D12PR									
OS315B12PL	262	138	-	-	-	169	40	53	164
OS400B12PL									
OS400D12PL									
OS315B12PD5	262	138	149	50	63	-	-	-	144
OS400B12PD5									
OS400D12PD5									
OS315B12PR5									
OS400B12PR5									
OS400D12PR5									
OS315B12PL5	262	138	-	-	-	149	50	63	144
OS400B12PL5									
OS400D12PL5									

4-pole	A	B	C	D	E	F	G	H	K
OS315-400_22PD-PRN1									
OS315B22PDN1	307	160	230	33	44	-	-	-	225
OS400B22PDN1									
OS400D22PDN1									
OS315B22PRN1									
OS400B22PRN1									
OS400D22PRN1									
OS400B22PLN1	307	160	-	-	-	230	33	44	225
OS400B22PLN1									
OS400D22PLN1									
OS315B22PD5N1	307	160	200	53	54	-	-	-	195
OS400B22PD5N1									
OS400D22PD5N1									
OS315B22PR5N1									
OS400B22PR5N1									
OS400D22PR5N1									
OS315B22PL5N1	307	160	-	-	-	200	53	54	195
OS400B22PL5N1									
OS400D22PL5N1									

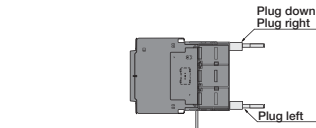
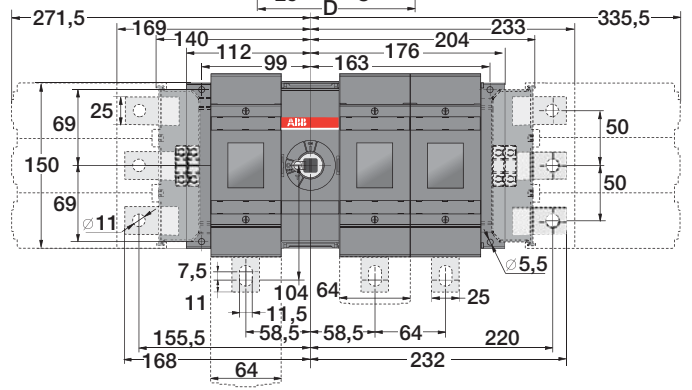
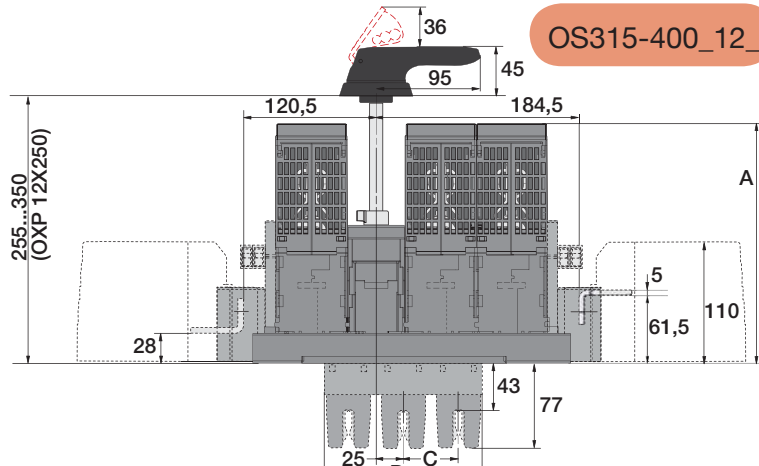
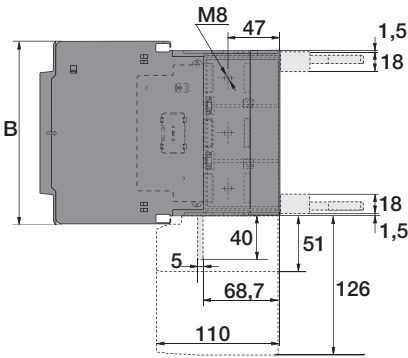
3-pole	A	B	C	D	E	F	G	H	K
OS315-400_21PD-PR									
OS315B21PD	262	138	169	53	40	-	-	-	164
OS400B21PD									
OS400D21PD									
OS315B21PR									
OS400B21PR									
OS400D21PR									
OS315B21PL	262	138	-	-	-	169	53	40	164
OS400B21PL									
OS400D21PL									
OS315B21PD5	262	138	149	63	50	-	-	-	144
OS400B21PD5									
OS400D21PD5									
OS315B21PR5									
OS400B21PR5									
OS400D21PR5									
OS315B21PL5	262	138	-	-	-	149	63	50	144
OS400B21PL5									
OS400D21PL5									

4-pole	A	B	C	D	E	F	G	H	K
OS315-400_22PD-PRN2									
OS315B22PDN2	307	160	230	44	33	-	-	-	225
OS400B22PDN2									
OS400D22PDN2									
OS315B22PRN2									
OS400B22PRN2									
OS400D22PRN2									
OS400B22PLN2	307	160	-	-	-	230	44	33	225
OS400B22PLN2									
OS400D22PLN2									
OS315B22PD5N2	307	160	200	54	53	-	-	-	195
OS400B22PD5N2									
OS400D22PD5N2									
OS315B22PR5N2									
OS400B22PR5N2									
OS400D22PR5N2									
OS315B22PL5N2	307	160	-	-	-	200	54	53	195
OS400B22PL5N2									
OS400D22PL5N2									



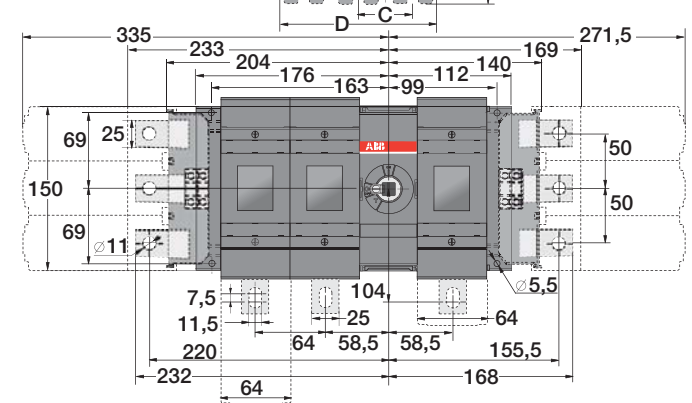
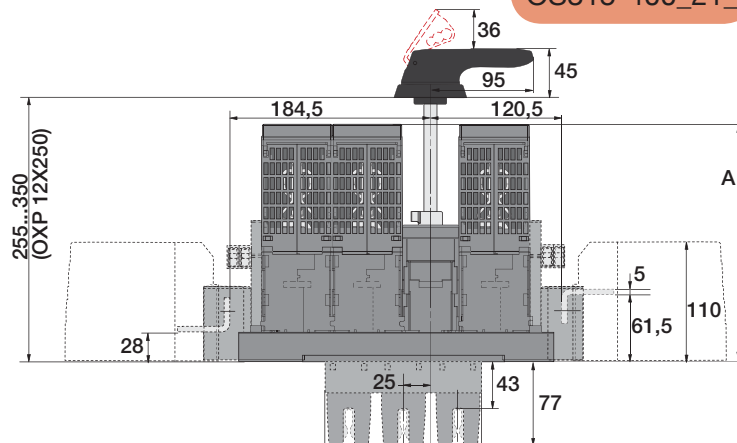
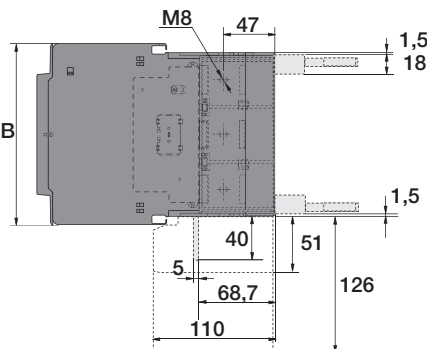
	A	B	C	D
OS315B12PD	201	194	60	164
OS315B12PD5	201	194	50	144
OS315B12PL	201	194	60	164
OS315B12PL5	201	194	50	144
OS315B12PR	201	194	60	164
OS315B12PR5	201	194	50	144
OS400B12PD	201	194	60	164
OS400B12PD5	201	194	50	144
OS400B12PL	201	194	60	164
OS400B12PL5	201	194	50	144
OS400B12PR	201	194	60	164
OS400B12PR5	201	194	50	144
OS400D12PD	218	166	60	164
OS400D12PD5	218	166	50	144
OS400D12PL	218	166	60	164
OS400D12PL5	218	166	50	144
OS400D12PR	218	166	60	164
OS400D12PR5	218	166	50	144

M00128/OS400-12PL-PR B / KA00055



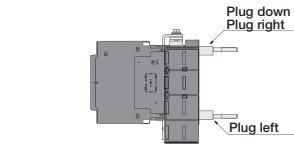
	A	B	C	D
OS315B21PD	201	194	60	164
OS315B21PD5	201	194	50	144
OS315B21PL	201	194	60	164
OS315B21PL5	201	194	50	144
OS315B21PR	201	194	60	164
OS315B21PR5	201	194	50	144
OS400B21PD	201	194	60	164
OS400B21PD5	201	194	50	144
OS400B21PL	201	194	60	164
OS400B21PL5	201	194	50	144
OS400B21PR	201	194	60	164
OS400B21PR5	201	194	50	144
OS400D21PD	218	166	60	164
OS400D21PD5	218	166	50	144
OS400D21PL	218	166	60	164
OS400D21PL5	218	166	50	144
OS400D21PR	218	166	60	164
OS400D21PR5	218	166	50	144

M00129/OS400-21PL-PR B / KA00056



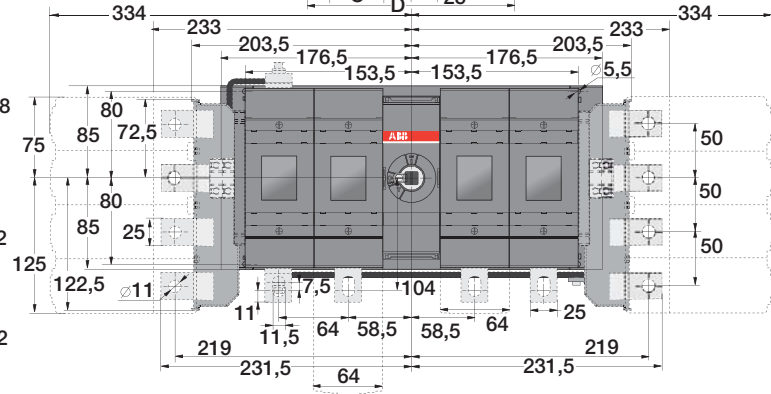
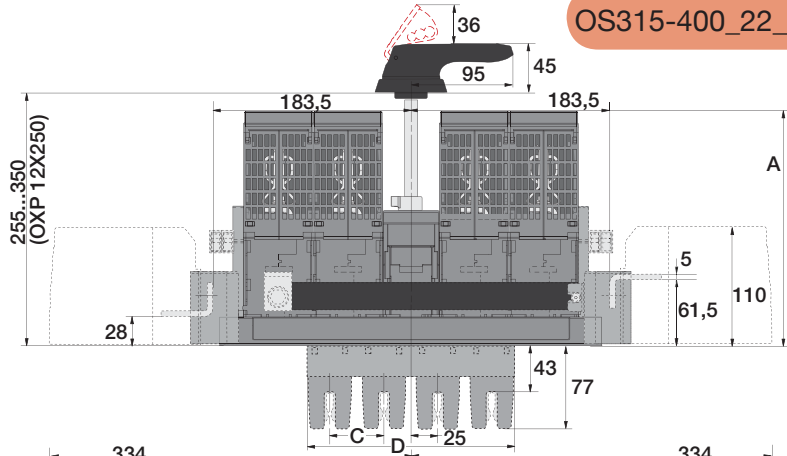
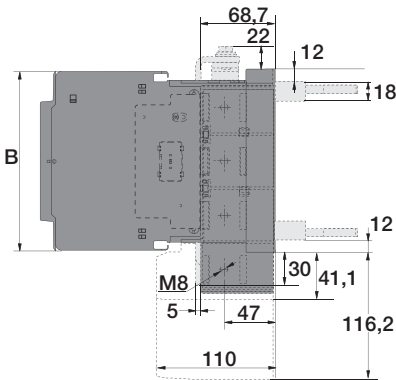
OS315-400_PD OS315-400_PR OS315-400_PL

OS315-400_22_N1

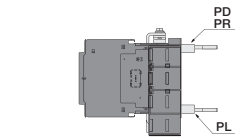


M00131/OS400_22PL-PRN1 A / KA00057

	A	B	C	D
OS315B22PD5N1	201	194	50	195
OS315B22PDN1	201	194	60	225
OS315B22PL5N1	201	194	50	195
OS315B22PLN1	201	194	60	225
OS315B22PR5N1	201	194	50	195
OS315B22PRN1	201	194	60	225
OS400B22PD5N1	201	194	50	195
OS400B22PDN1	201	194	60	225
OS400B22PL5N1	201	194	50	195
OS400B22PLN1	201	194	60	225
OS400B22PR5N1	201	194	50	195
OS400B22PRN1	201	194	60	225
OS400D22PD5N1	218	166	50	195
OS400D22PDN1	218	166	60	225
OS400D22PL5N1	218	166	50	195
OS400D22PLN1	218	166	60	225
OS400D22PR5N1	218	166	50	195
OS400D22PRN1	218	166	60	225

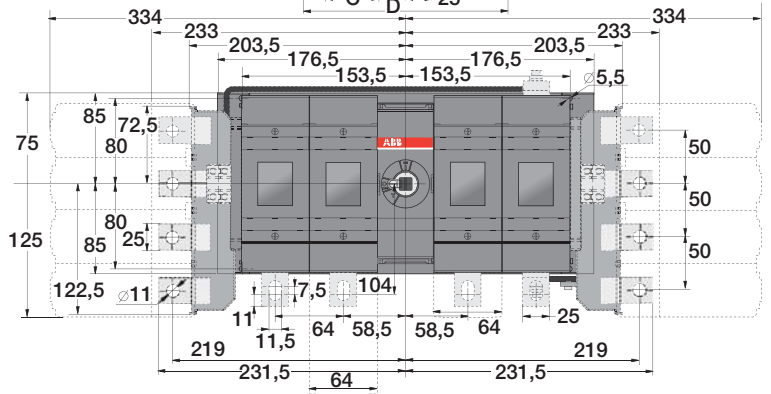
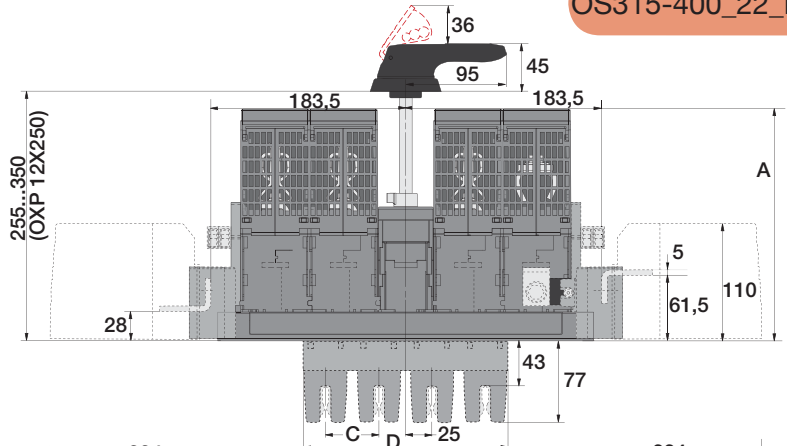
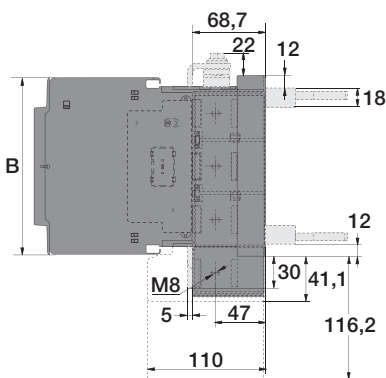


OS315-400_22_N2

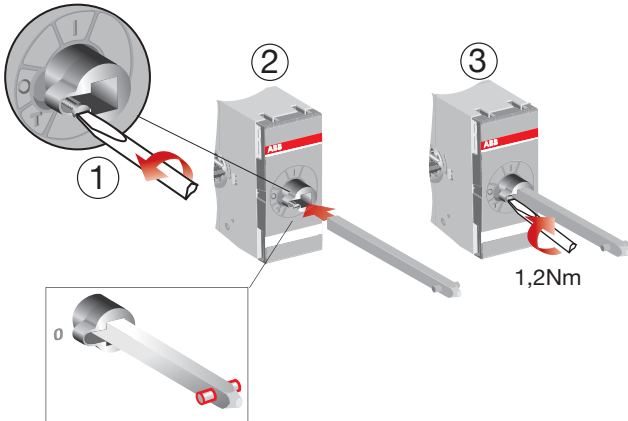
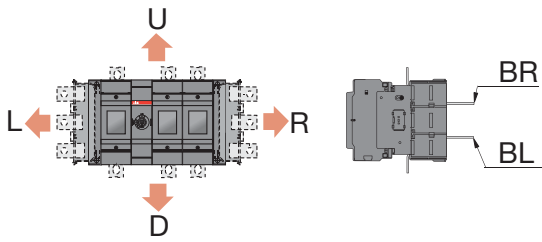


M00125/OS400_22PL-PRN2 A / KA00058

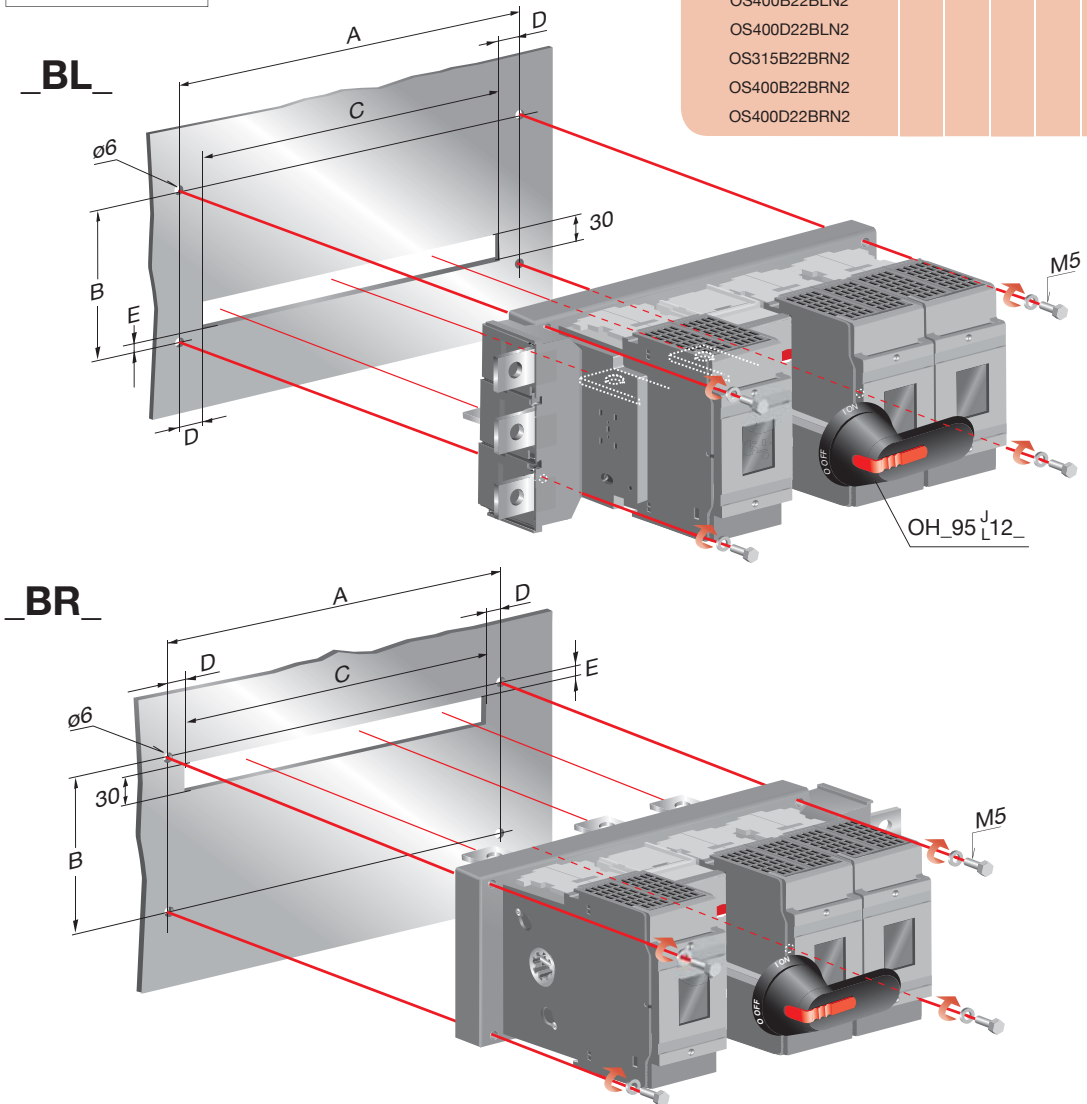
	A	B	C	D
OS315B22PD5N2	201	194	50	195
OS315B22PDN2	201	194	60	225
OS315B22PL5N2	201	194	50	195
OS315B22PLN2	201	194	60	225
OS315B22PR5N2	201	194	50	195
OS315B22PRN2	201	194	60	225
OS400B22PD5N2	201	194	50	195
OS400B22PDN2	201	194	60	225
OS400B22PL5N2	201	194	50	195
OS400B22PLN2	201	194	60	225
OS400B22PR5N2	201	194	50	195
OS400B22PRN2	201	194	60	225
OS400D22PD5N2	218	166	50	195
OS400D22PDN2	218	166	60	225
OS400D22PL5N2	218	166	50	195
OS400D22PLN2	218	166	60	225
OS400D22PR5N2	218	166	50	195
OS400D22PRN2	218	166	60	225



OS315-400_BL OS315-400_BR OS315-400_DL OS315-400_UR OS315-400_LR



OS315-400_12BL-BR	A	B	C	D	E
OS315B12BL	262	138	230	16	2
OS400B12BL					
OS400D12BL					
OS315B12BR					
OS400B12BR					
OS315-400_21BL-BR					
OS315B21BL	262	138	230	16	2
OS400B21BL					
OS400D21BL					
OS315B21BR					
OS400B21BR					
OS400D21BR					
OS315-400_22BLN -BRN					
OS315B22BLN1	307	160	295	6	15
OS400B22BLN1					
OS400D22BLN1					
OS315B22BRN1					
OS400B22BRN1					
OS400D22BRN1					
OS315B22BLN2					
OS400B22BLN2					
OS400D22BLN2					
OS315B22BRN2					
OS400B22BRN2					
OS400D22BRN2					



KA00040

OS315-400_BL

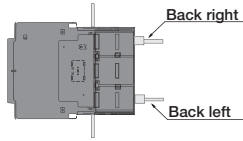
OS315-400_BR

OS315-400_DL

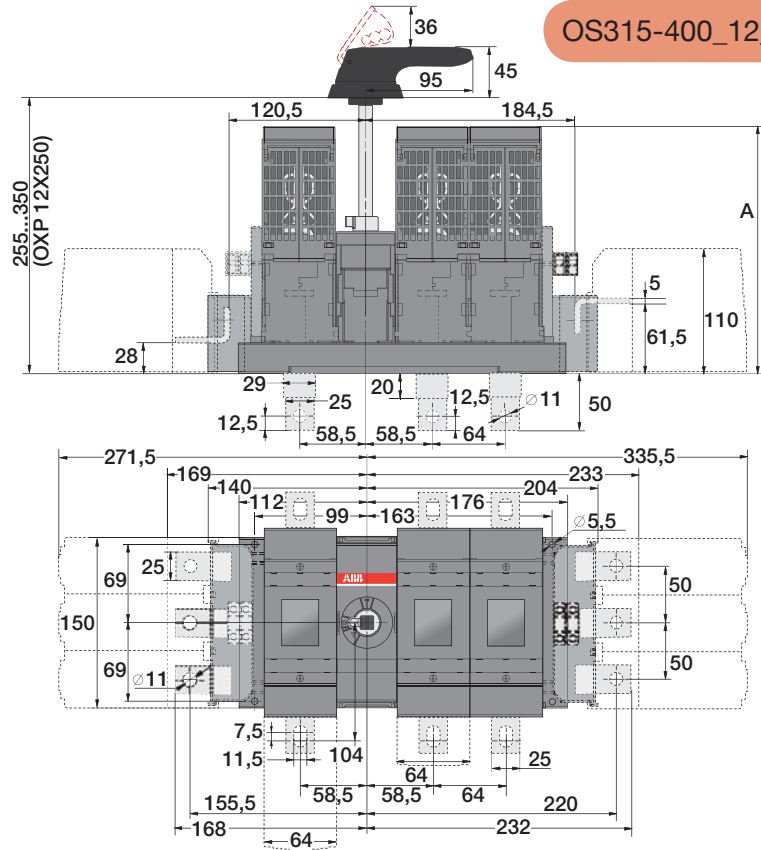
OS315-400_UR

OS315-400_LR

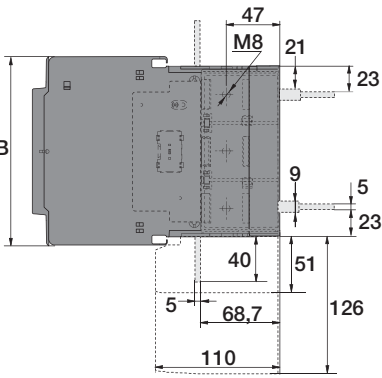
OS315-400_12



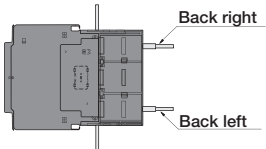
	A	B
OS315B12BL	201	194
OS315B12BR	201	194
OS315B12DL	201	194
OS315B12LR	201	194
OS315B12UR	201	194
OS400B12BL	201	194
OS400B12BR	201	194
OS400B12DL	201	194
OS400B12LR	201	194
OS400B12UR	201	194
OS400D12BL	218	166
OS400D12BR	218	166
OS400D12DL	218	166
OS400D12LR	218	166
OS400D12UR	218	166



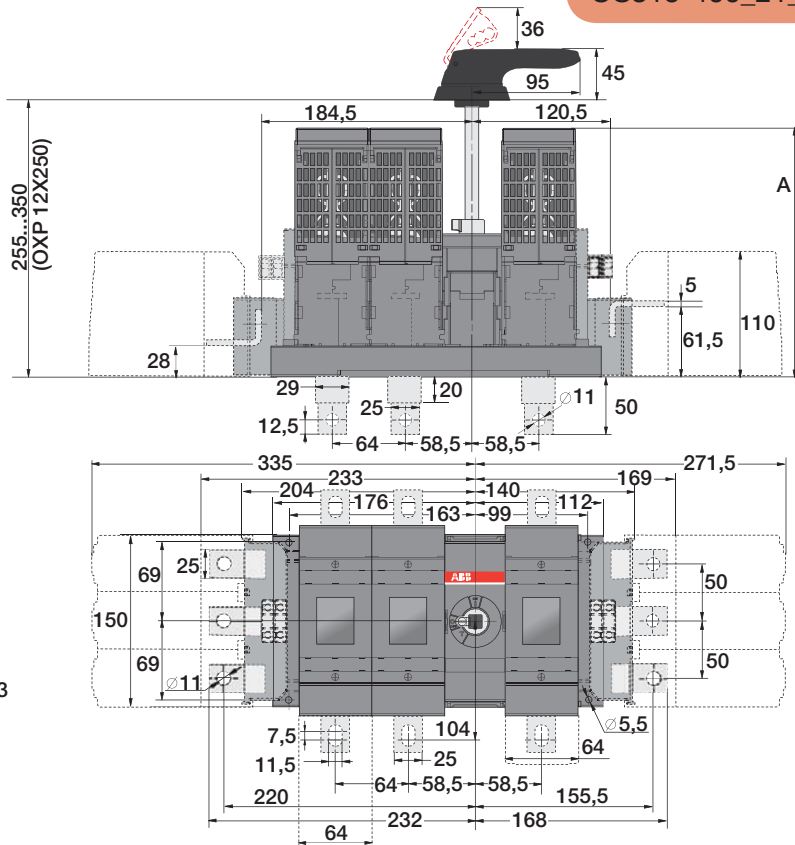
M001.30/OS400_12BL-BR B / KA00059



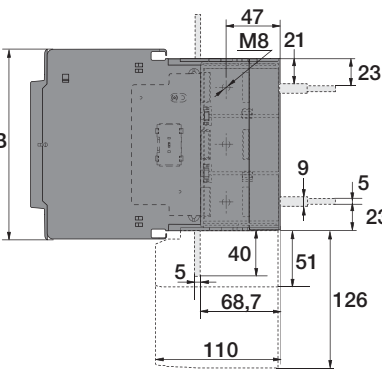
OS315-400_21



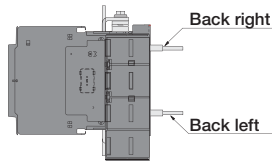
	A	B
OS315B21BL	201	194
OS315B21BR	201	194
OS315B21DL	201	194
OS315B21LR	201	194
OS315B21UR	201	194
OS400B21BL	201	194
OS400B21BR	201	194
OS400B21DL	201	194
OS400B21LR	201	194
OS400B21UR	201	194
OS400D21BL	218	166
OS400D21BR	218	166
OS400D21DL	218	166
OS400D21LR	218	166
OS400D21UR	218	166



M001.27/OS400_21BL-BR B / KA00060



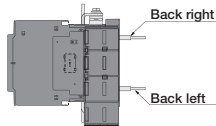
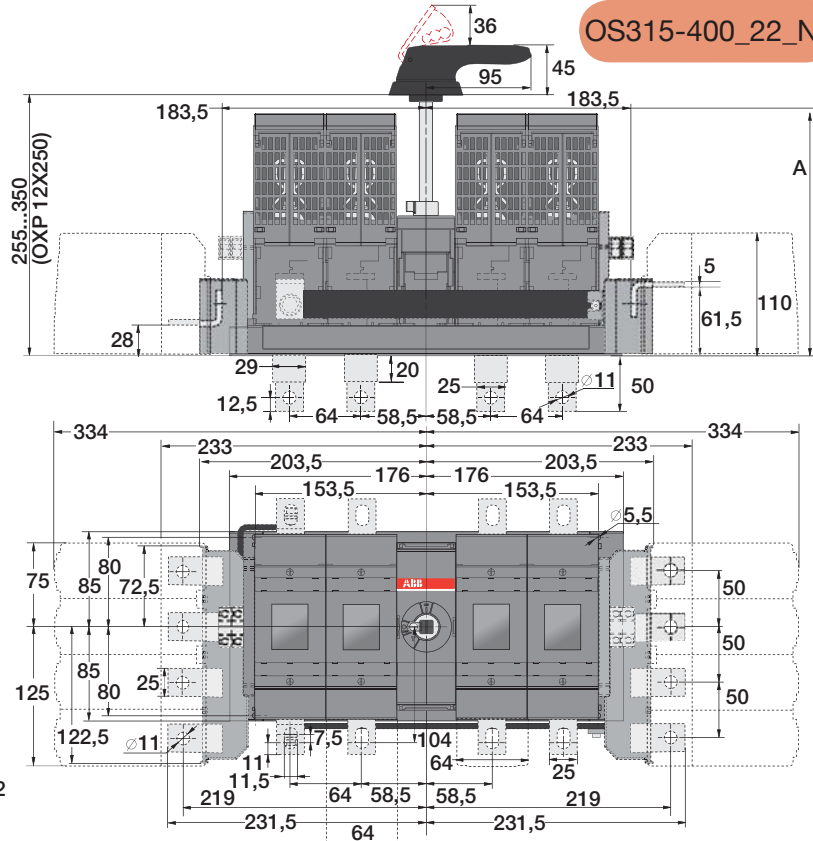
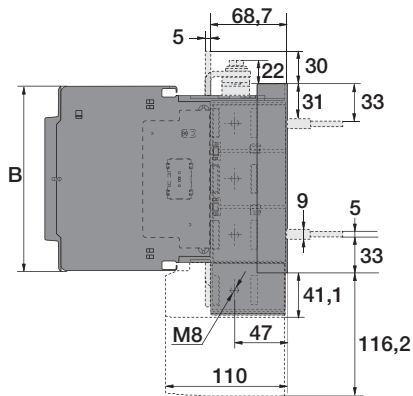
OS315-400_BL OS315-400_BR OS315-400_DL OS315-400_UR OS315-400_LR



OS315-400_22_N1

M00132/OS400_22BL-BRN1 B / KA00061

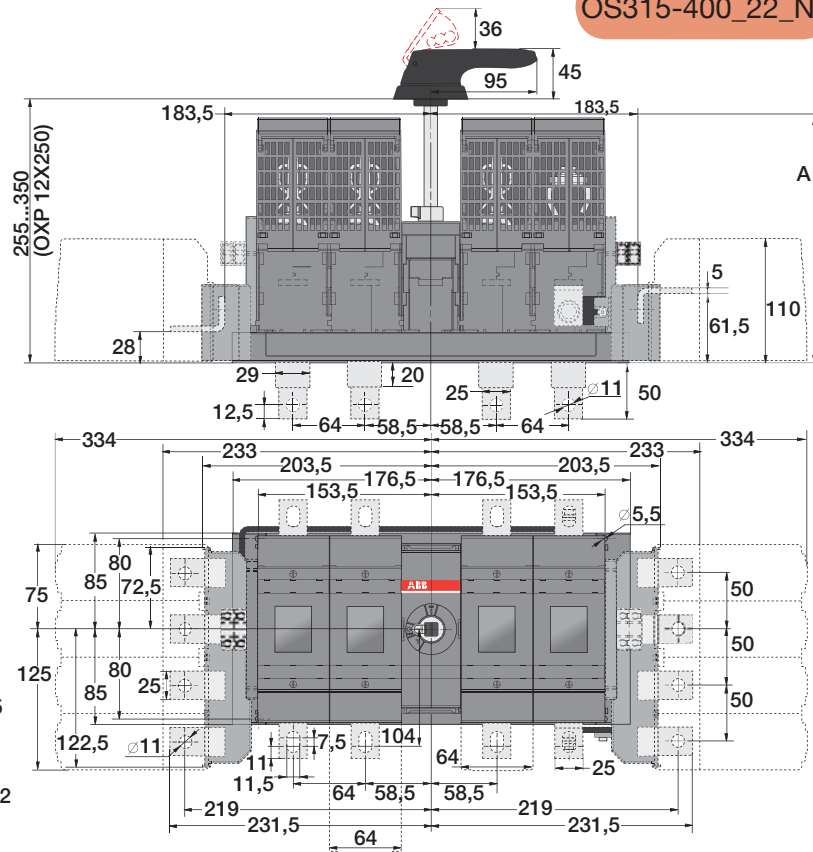
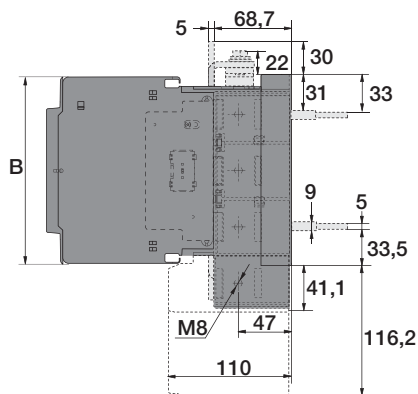
	A	B
OS315B22BLN1	201	194
OS315B22BRN1	201	194
OS315B22DLN1	201	194
OS315B22URN1	201	194
OS400B22BLN1	201	194
OS400B22BRN1	201	194
OS400B22DLN1	201	194
OS400B22URN1	201	194
OS400D22BLN1	218	166
OS400D22BRN1	218	166
OS400D22DLN1	218	166
OS400D22URN1	218	166



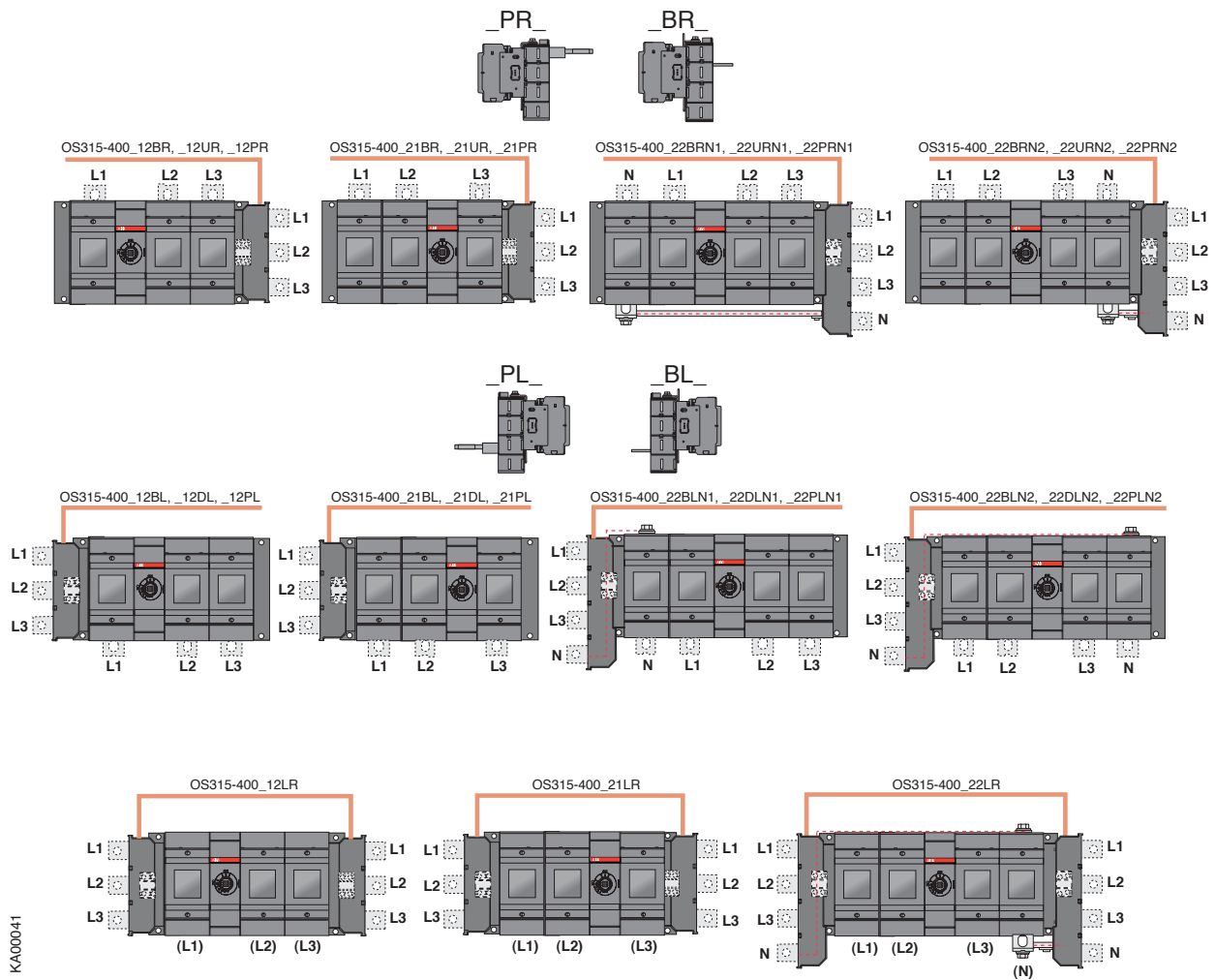
OS315-400_22_N2

M00126/OS400-22BL-BRN2 B / KA00062

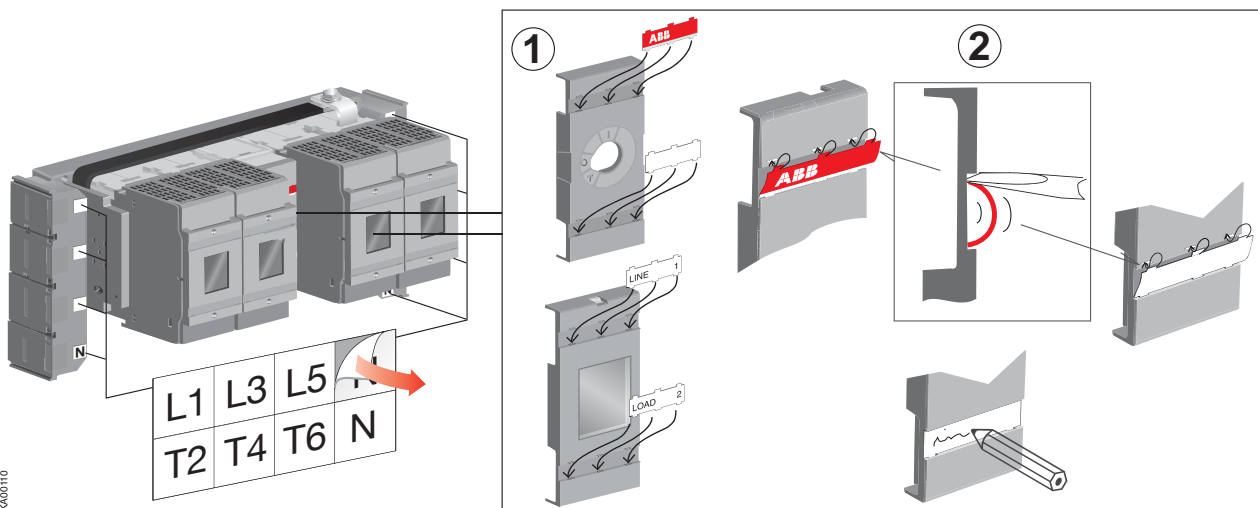
	A	B
OS315B22BLN2	201	194
OS315B22BRN2	201	194
OS315B22DLN2	201	194
OS315B22LR	201	194
OS315B22URN2	201	194
OS400B22BLN2	201	194
OS400B22BRN2	201	194
OS400B22DLN2	201	194
OS400B22LR	201	194
OS400B22URN2	201	194
OS400D22BLN2	218	166
OS400D22BRN2	218	166
OS400D22DLN2	218	166
OS400D22LR	218	166
OS400D22URN2	218	166



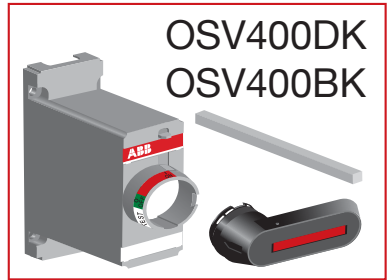
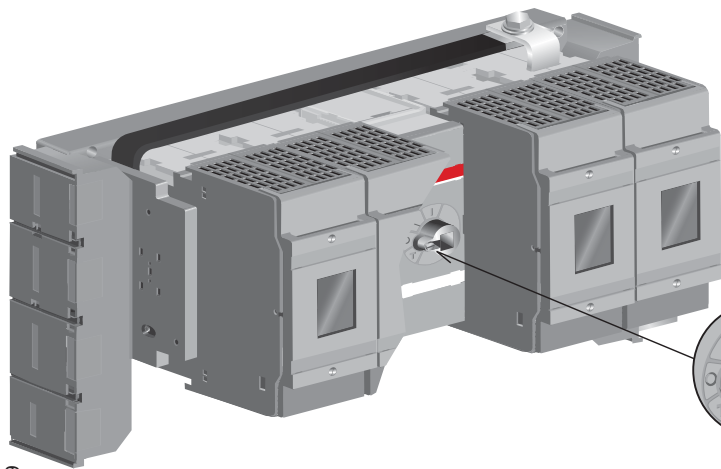
Phase terminals



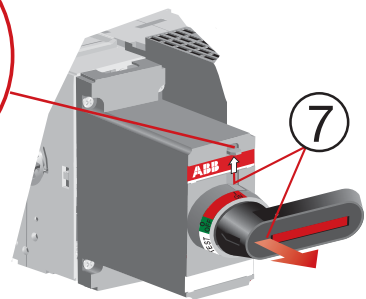
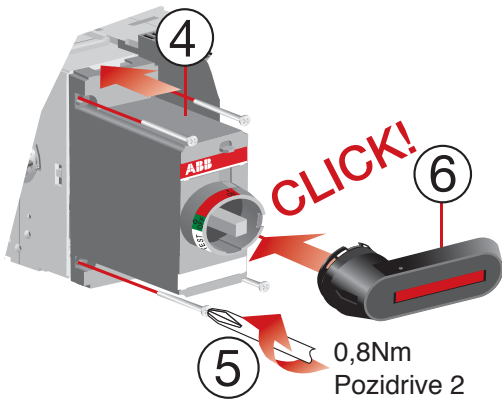
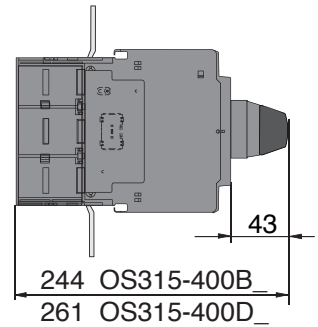
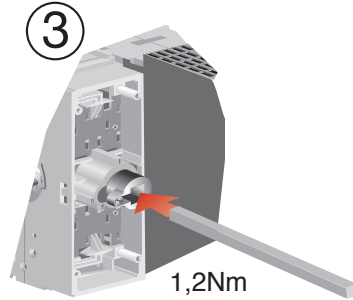
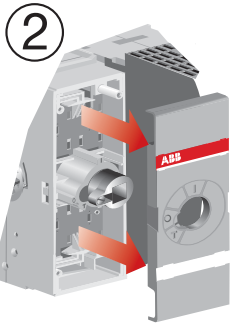
Label



OSV400DK
OSV400BK

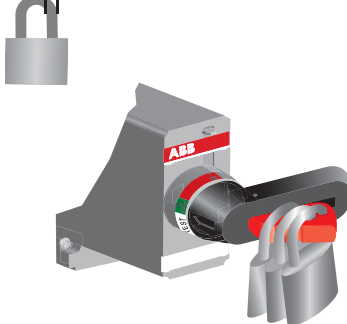


KA00109

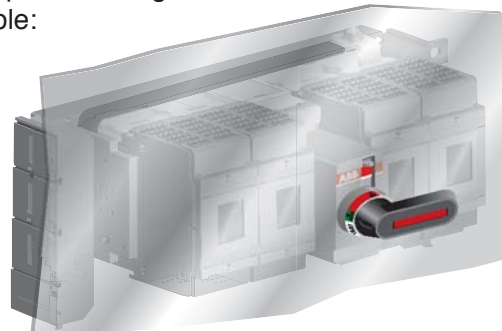


0,8Nm
Pozidrive 2

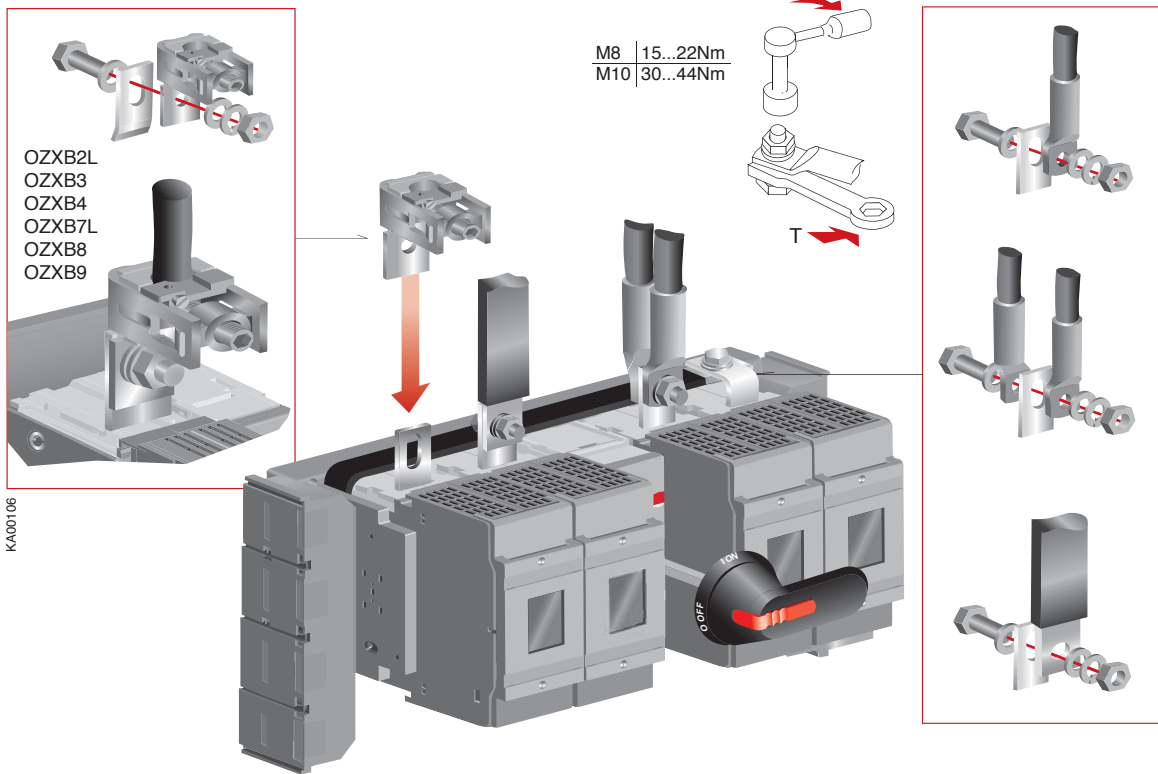
Ø5...Ø6mm



Note: Use protection against direct contact.
For example:

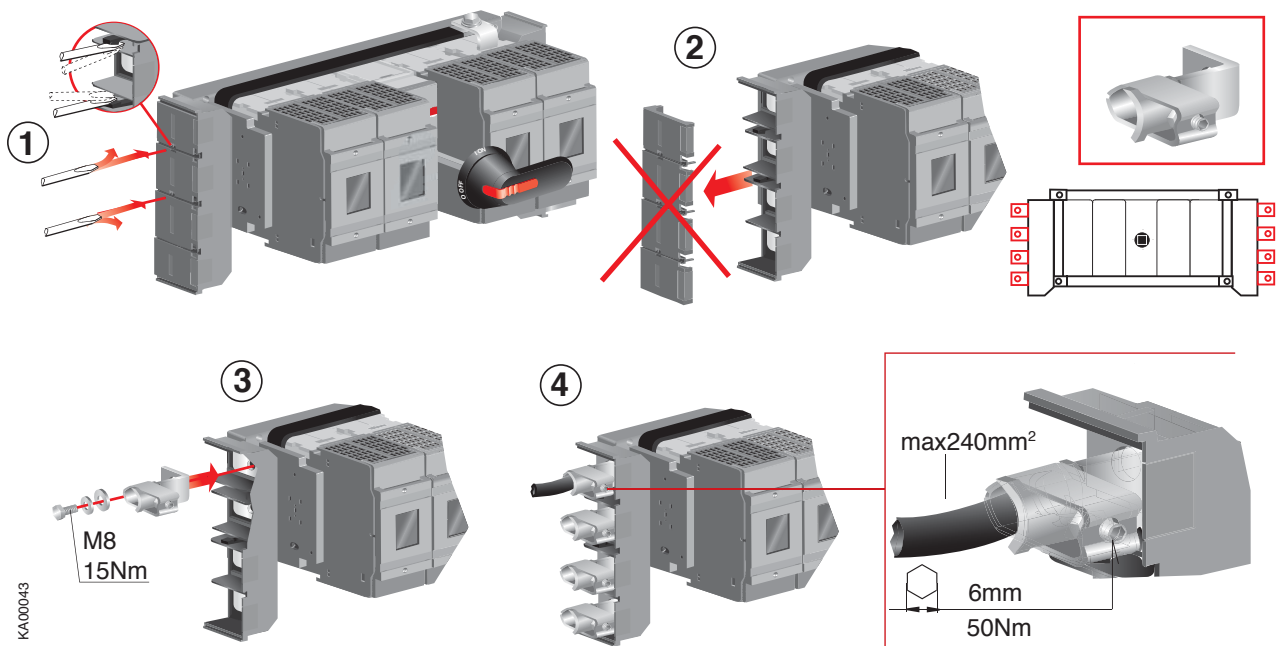


Connections



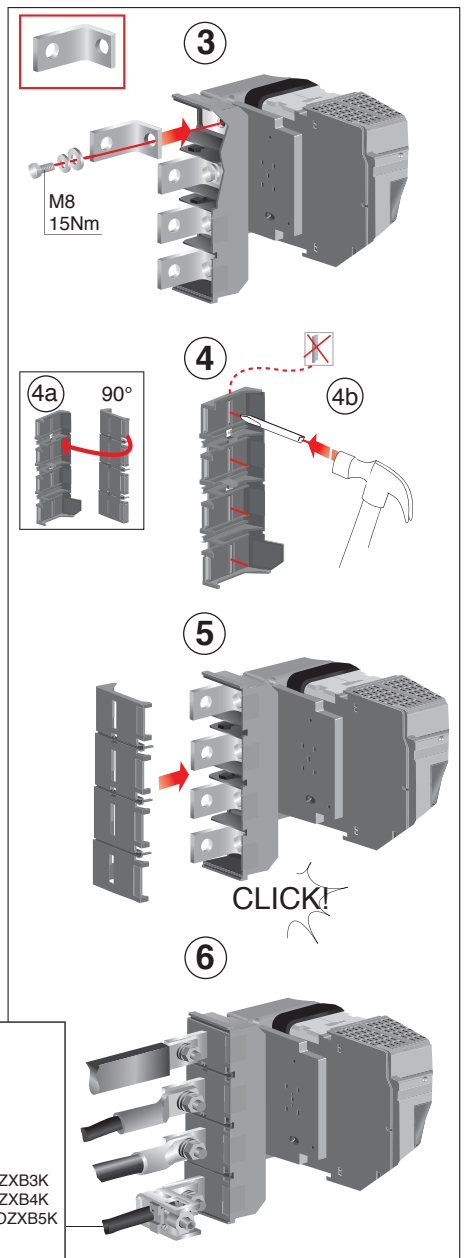
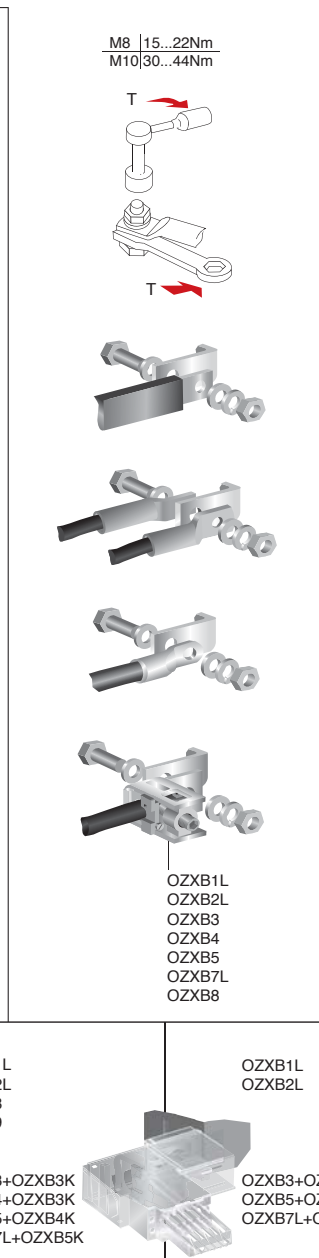
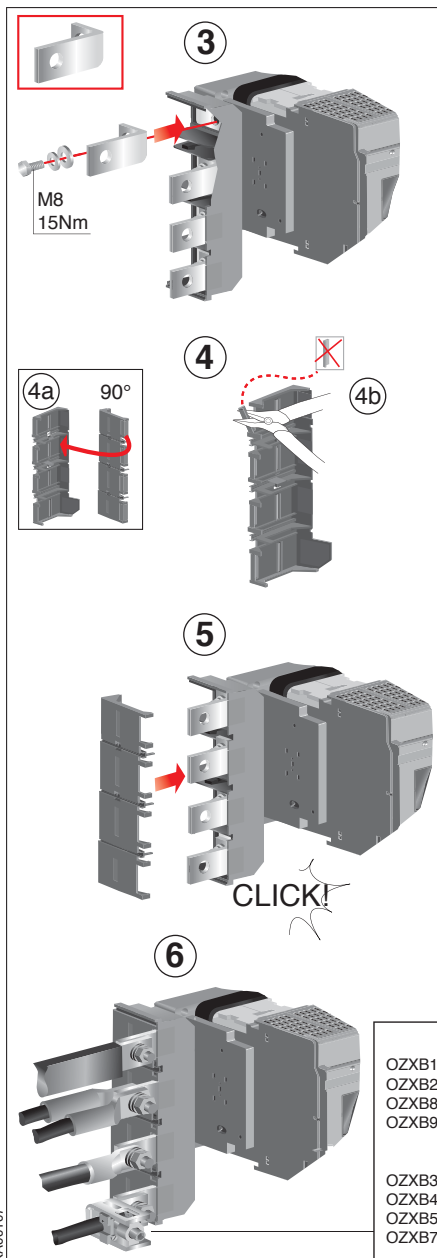
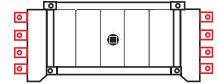
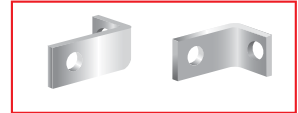
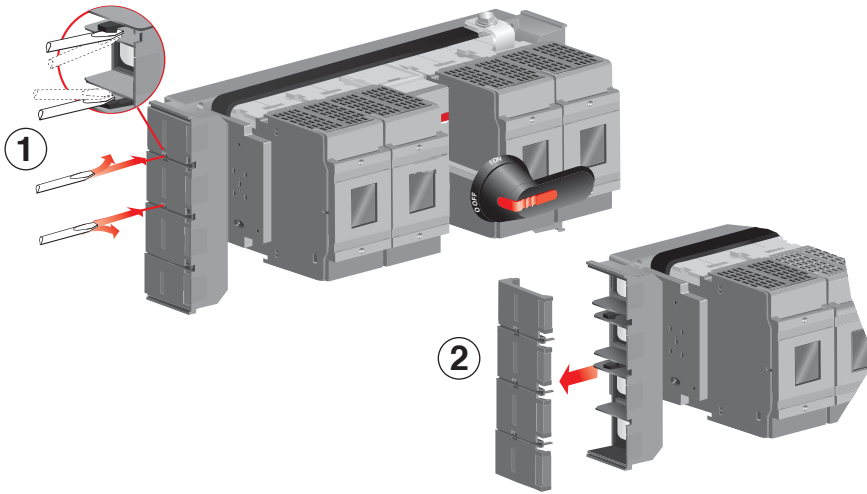
Connections

OZXB17



Connections

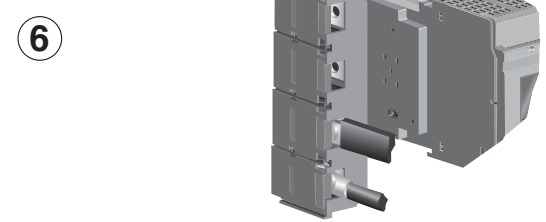
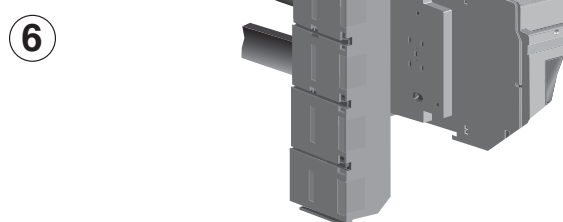
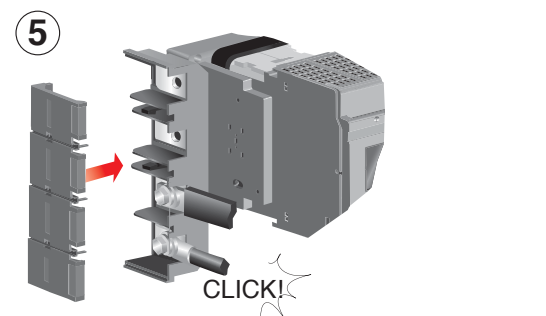
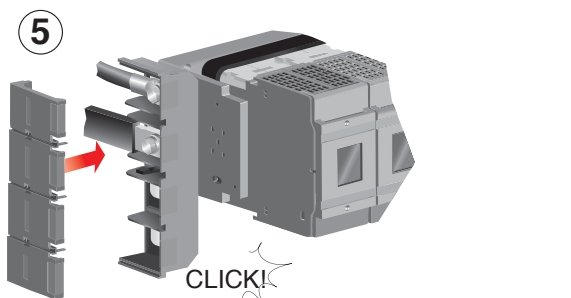
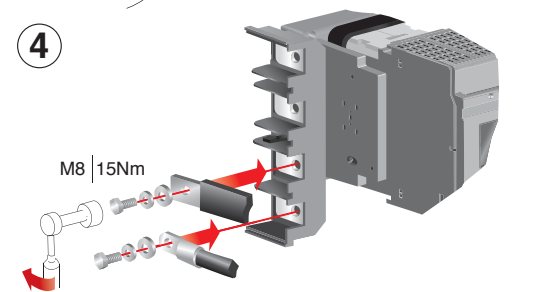
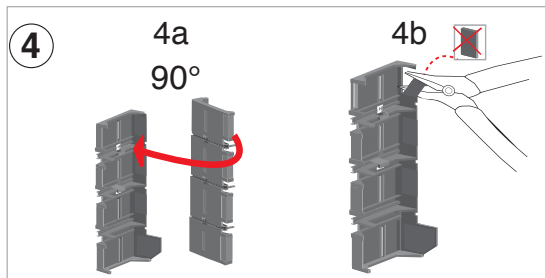
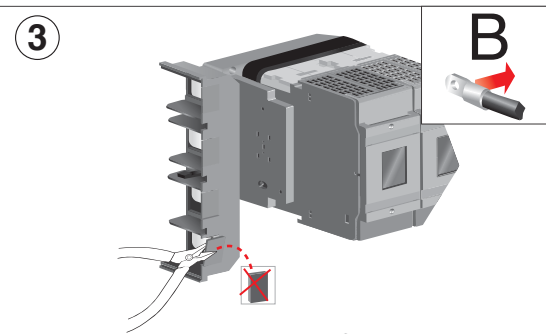
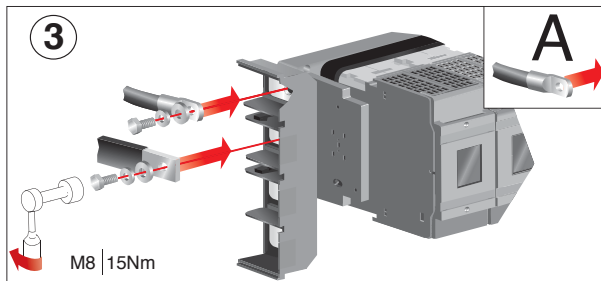
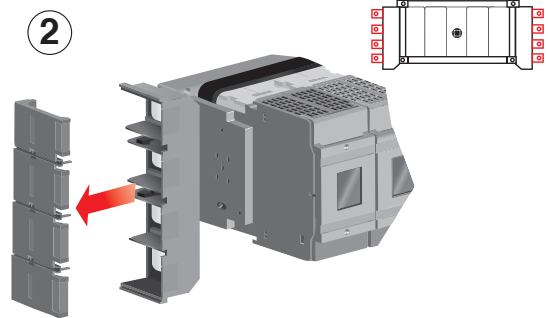
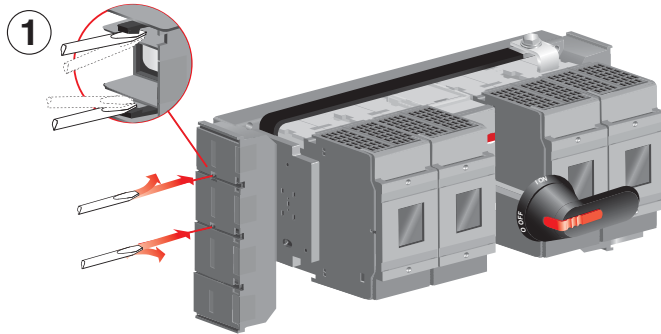
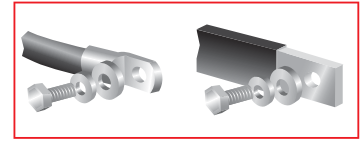
OEZXU14



KA00107

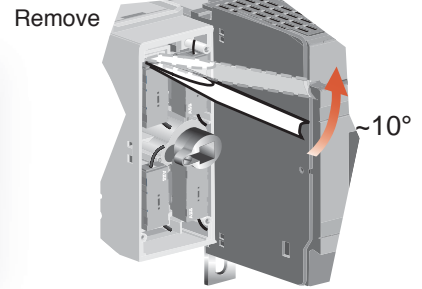
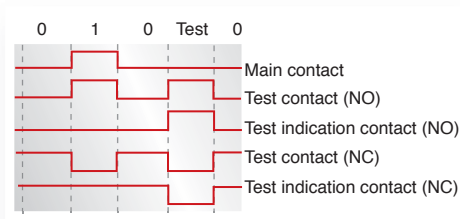
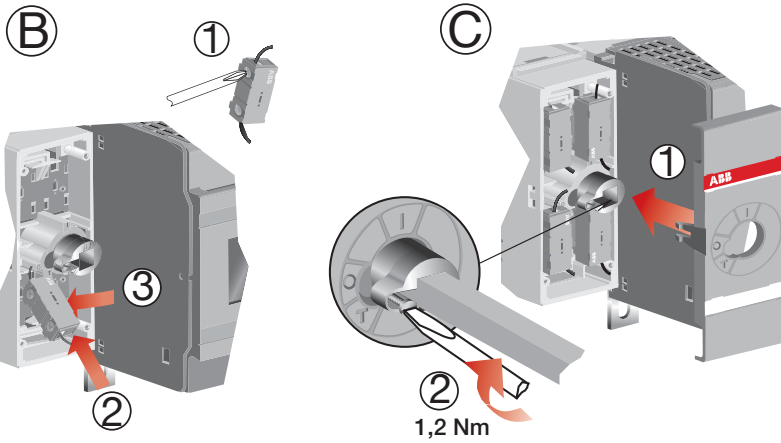
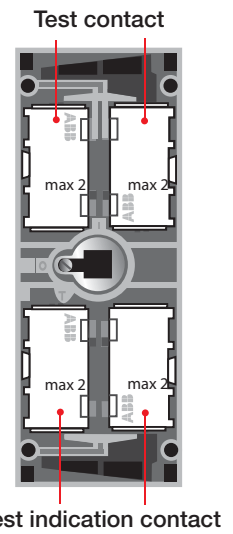
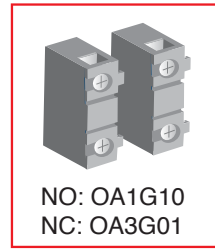
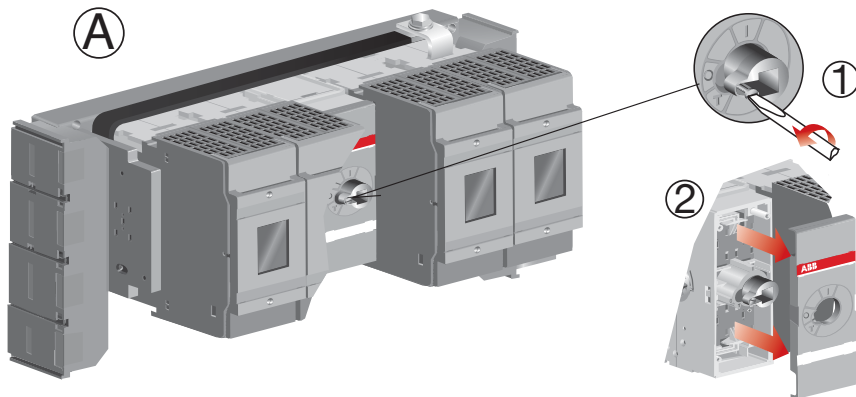
<p>OZXB1L OZXB2L OZXB8 OZXB9</p>	<p>OZXB1L OZXB2L</p>
<p>OZXB3+OZXB3K OZXB4+OZXB3K OZXB5+OZXB4K OZXB7L+OZXB5K</p>	<p>OZXB3+OZXB3K OZXB5+OZXB4K OZXB7L+OZXB5K</p>

Connections

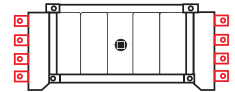
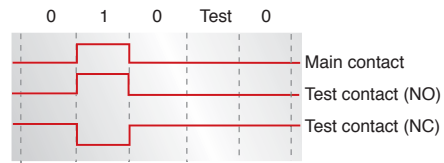


KAA00108

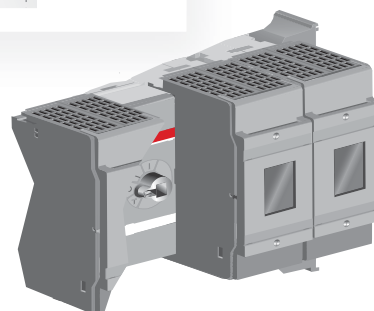
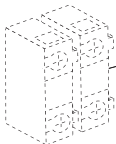
OA_



OA1G10 (NO)
OA3G01 (NC)



max 2

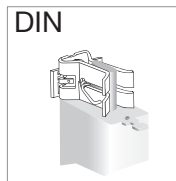
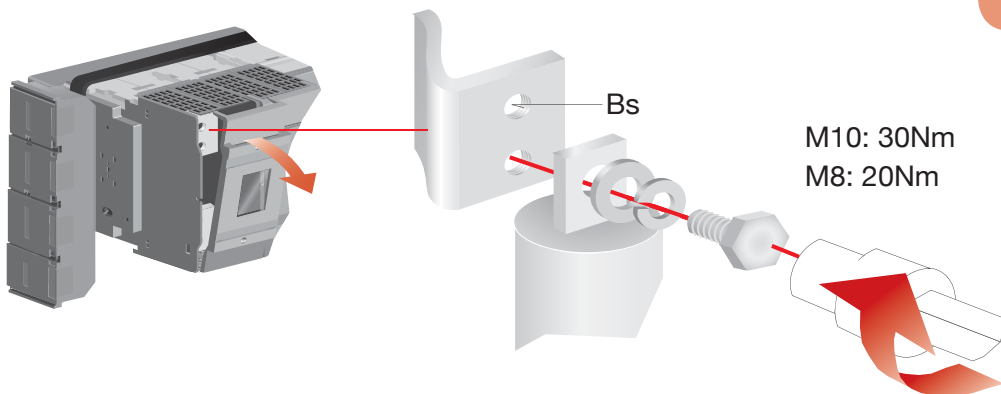


max 2

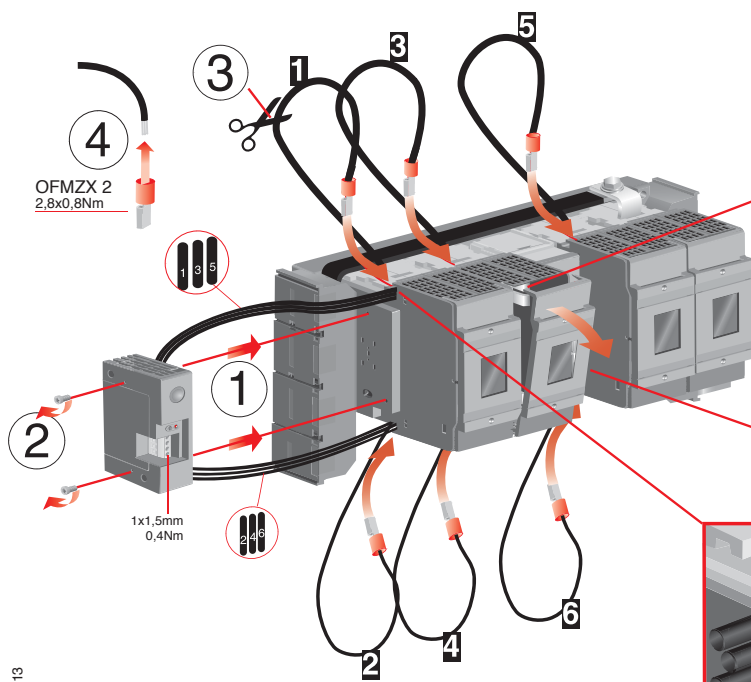
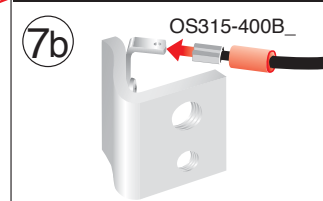
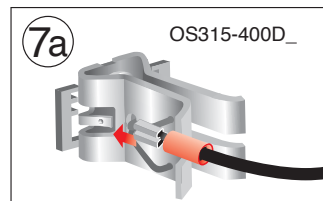
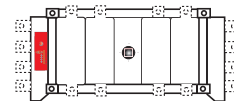
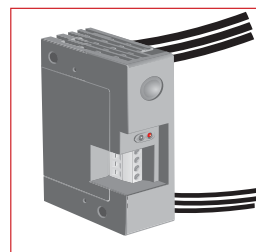
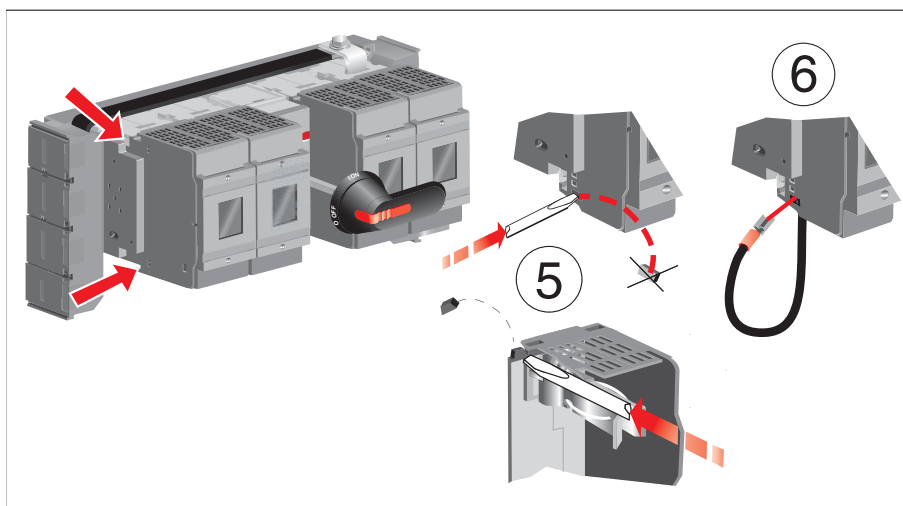
KA00111

OS315-400B_

KA00112



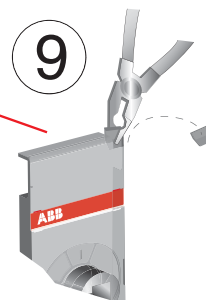
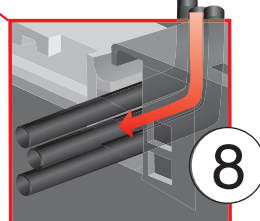
OFS_



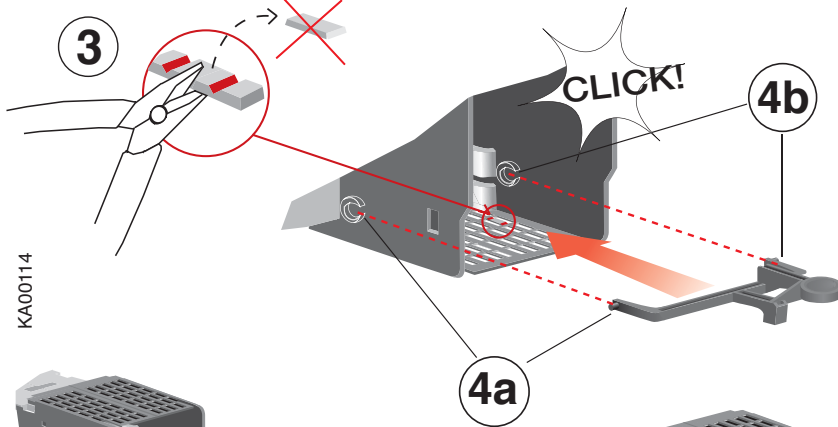
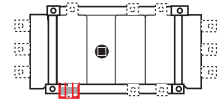
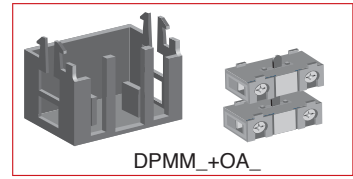
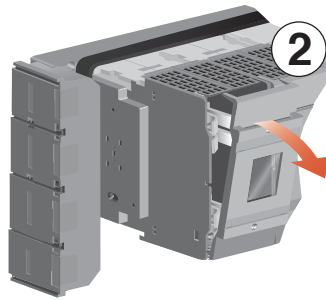
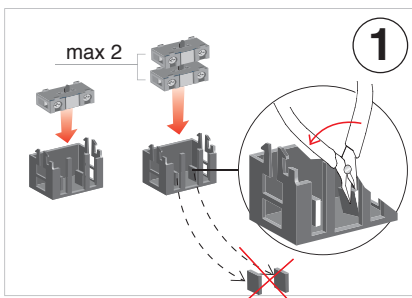
4
OFMZ 2
2,8x0,8Nm

1x1,5mm
0,4Nm

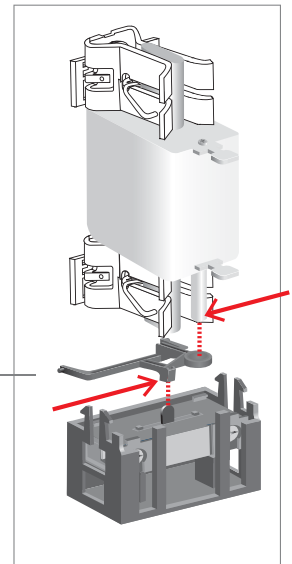
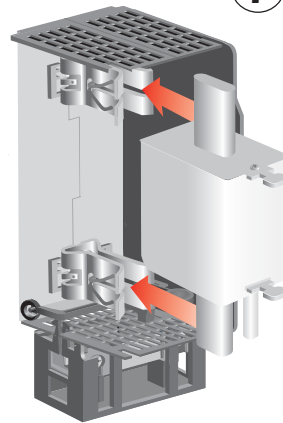
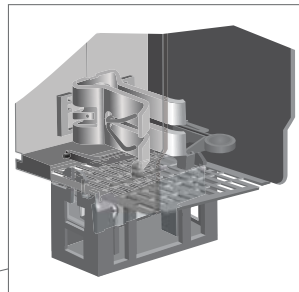
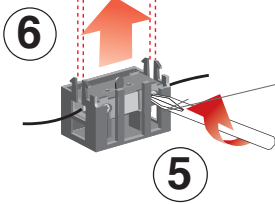
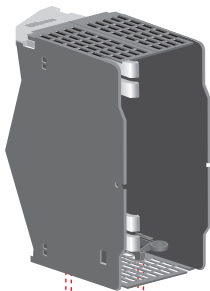
KA00113



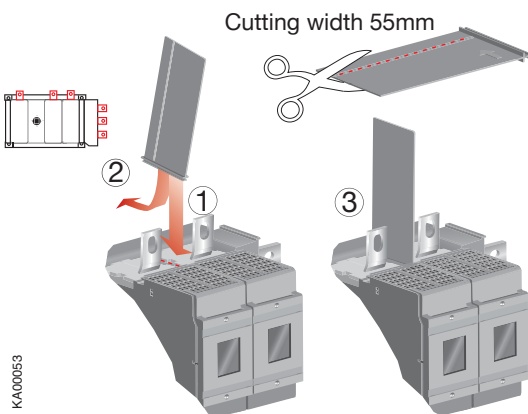
DPMM_



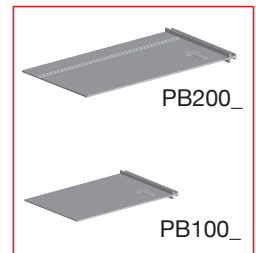
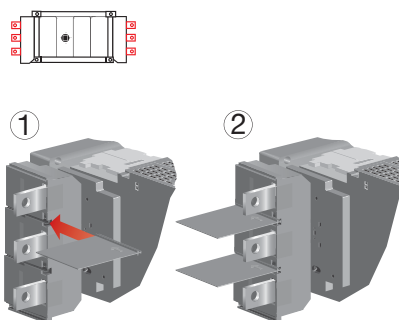
KA00114

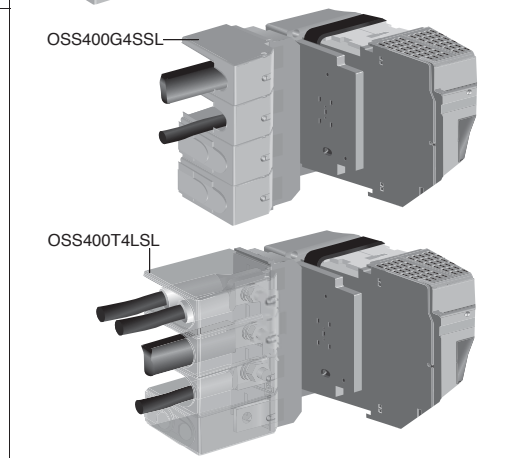
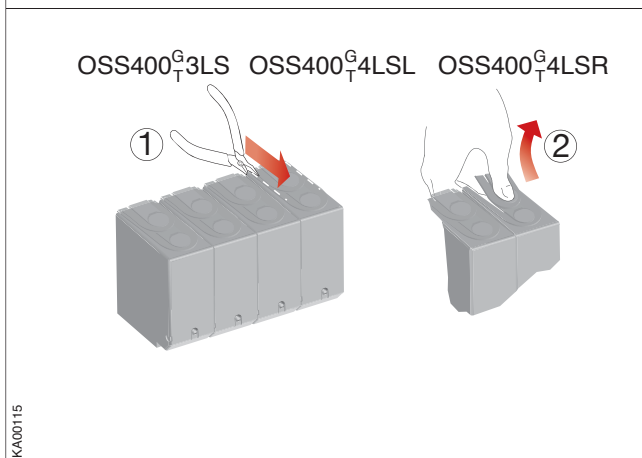
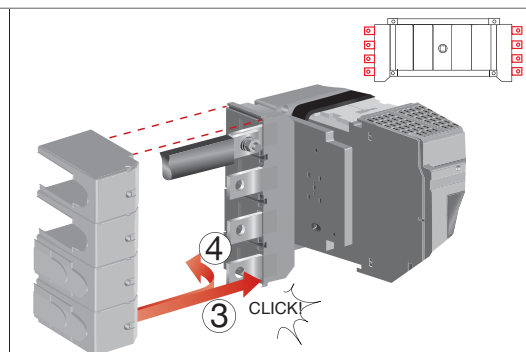
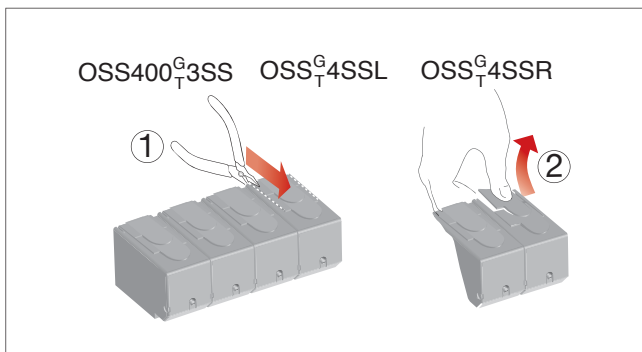
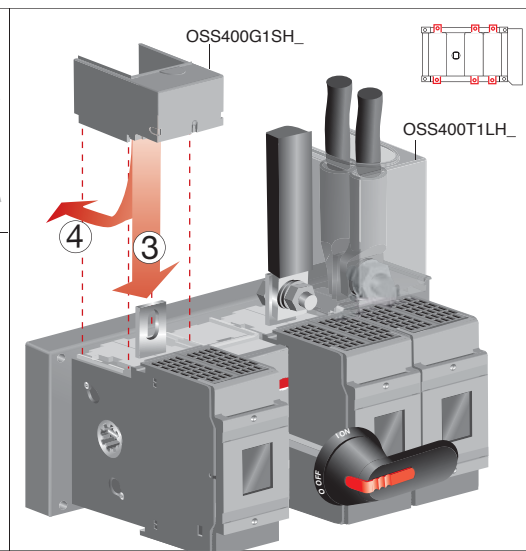
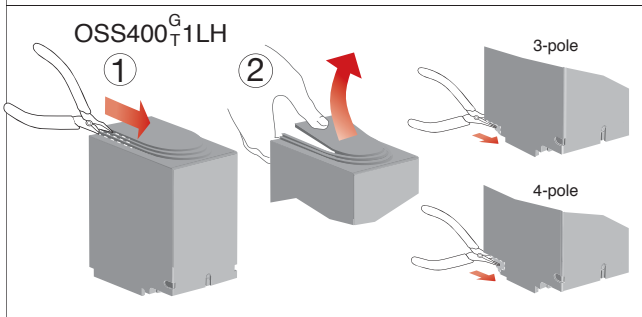
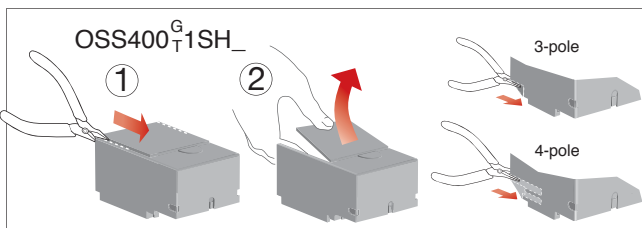
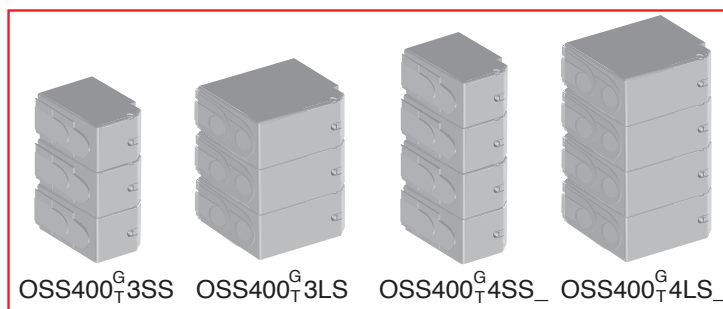
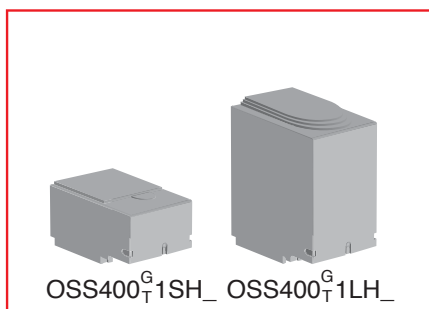


Phase barriers



KA00063





KA00115