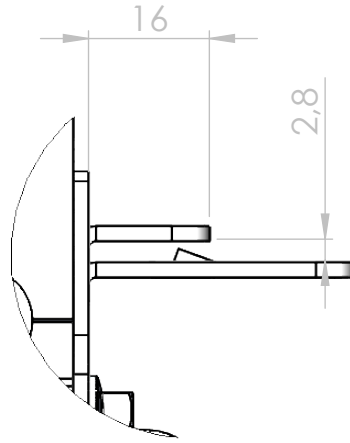
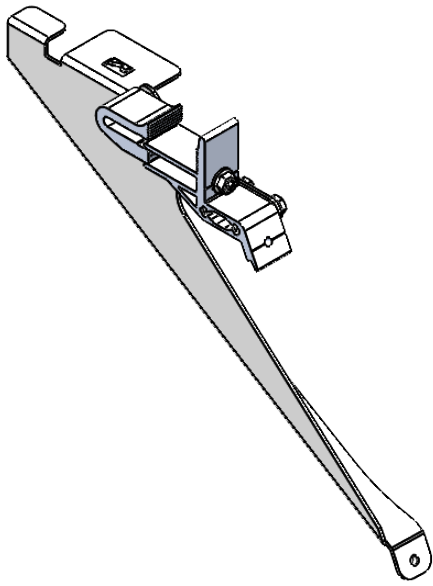
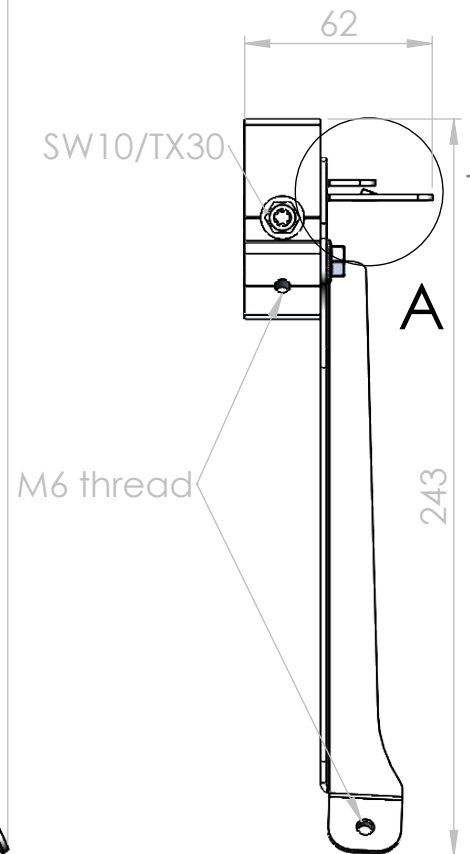
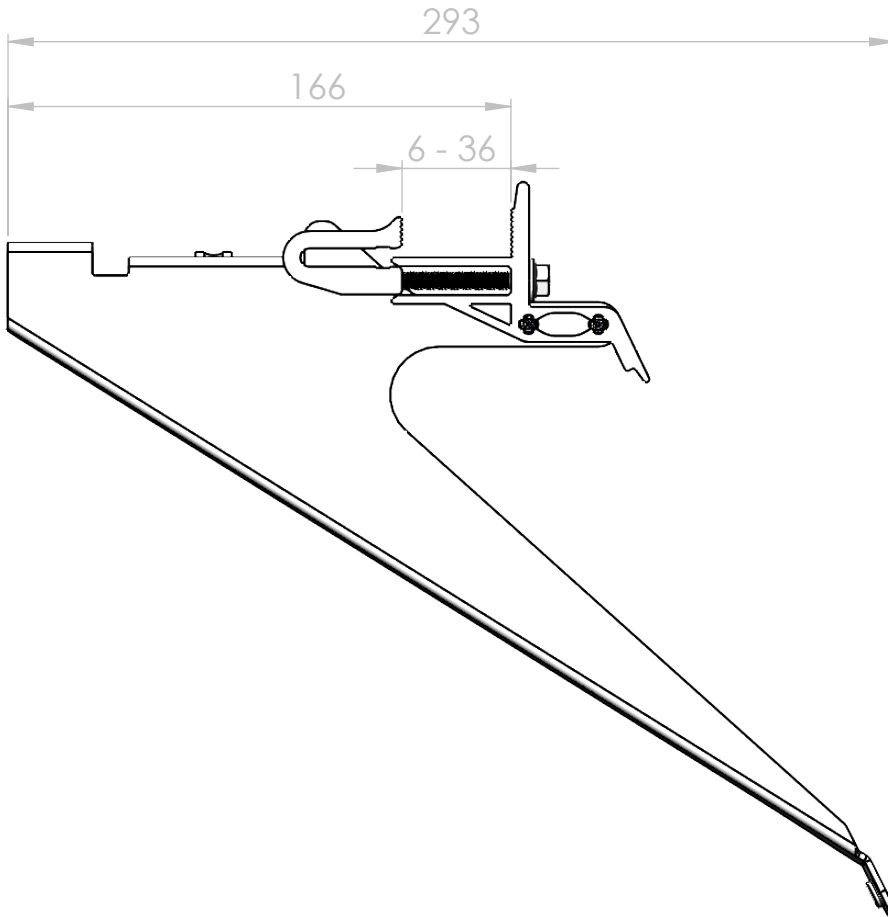


# COMMERCIAL DRAWING



DETAIL A  
SCALE 1 : 1



A

A

	PRODUCT: Wave Wind Deflector Mid Bracket	
	ARTICLE NUMBER: 1019152	WEIGHT: 0.453kg
PROJECT FR2202	MATERIAL: Steel / Aluminum	RELEASE DATE: 05-07-2024
ENGINEERING ID: 701217	DISCLAIMER: NO RIGHTS CAN BE DERIVED FROM THE INFORMATION PROVIDED BY THIS DOCUMENT	