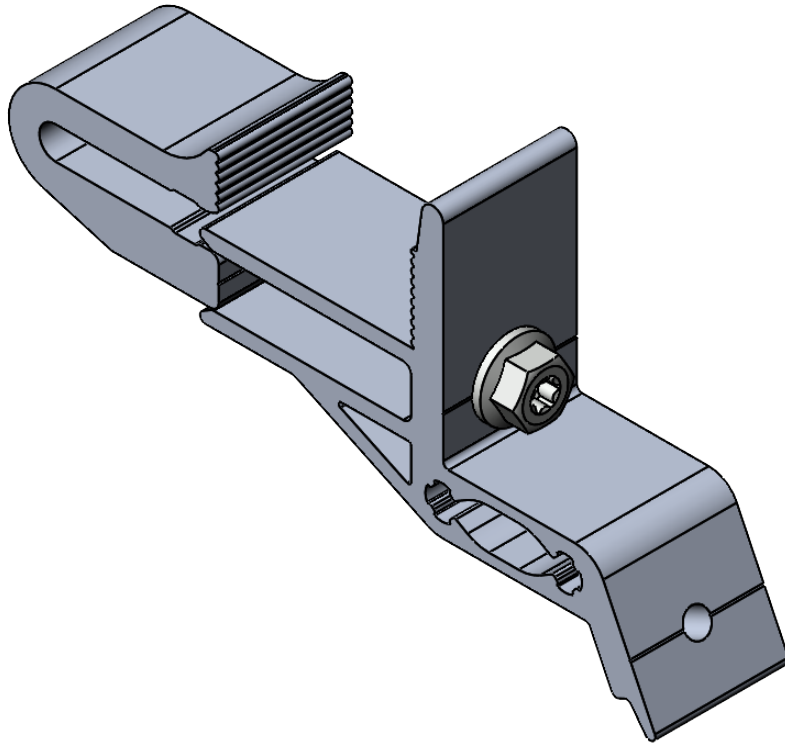
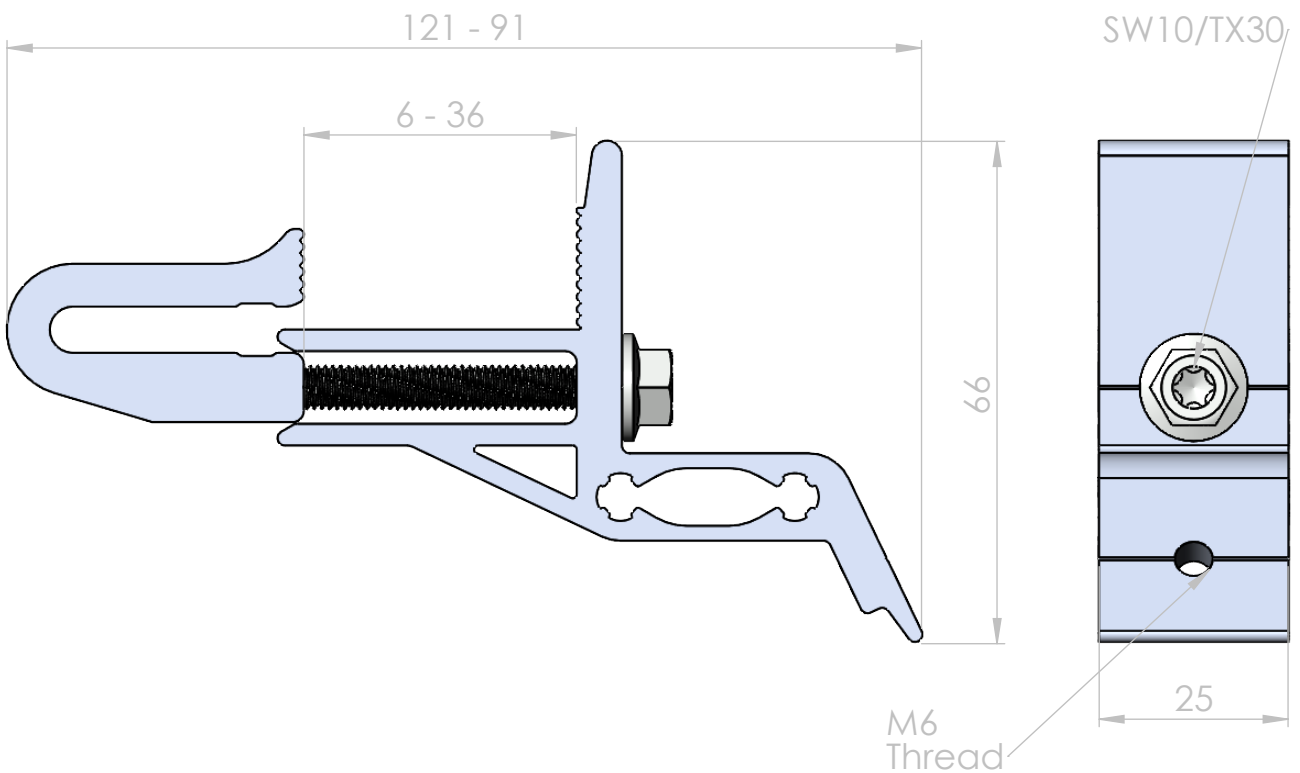


COMMERCIAL DRAWING



A



A

ENSTALL™

PRODUCT: Wave Wind Deflector Side Bracket

ARTICLE NUMBER: 1019153

WEIGHT: 0.105kg

PROJECT FR2202

MATERIAL: Steel / Aluminum

RELEASE DATE: 05-07-2024

ENGINEERING ID: 701216

DISCLAIMER: NO RIGHTS CAN BE DERIVED FROM THE INFORMATION PROVIDED BY THIS DOCUMENT