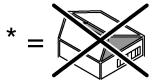
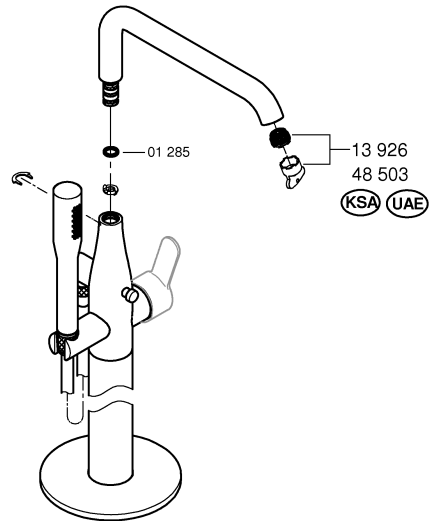
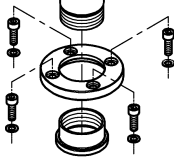





X 46 916	46 983






*19 332	32mm



 **psi**

7.25  max. 145  72.5 
14.5

 **bar**

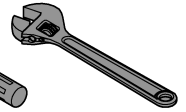
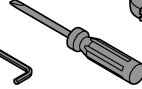
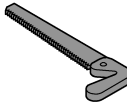
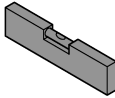
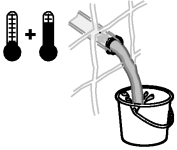
0.5  max. 10  5 
1

 **°F**

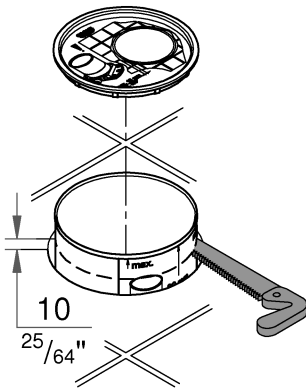
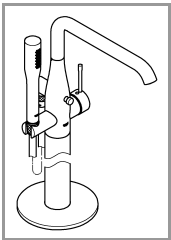
 max. 158°   140°

 **°C**

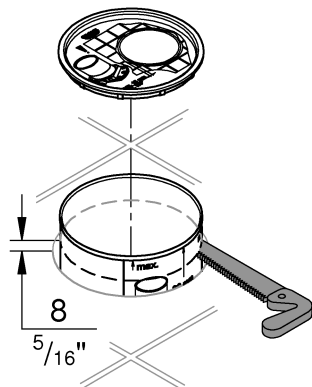
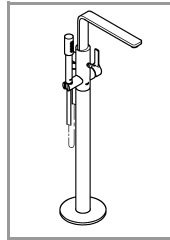
 max. 70°   60°



1a

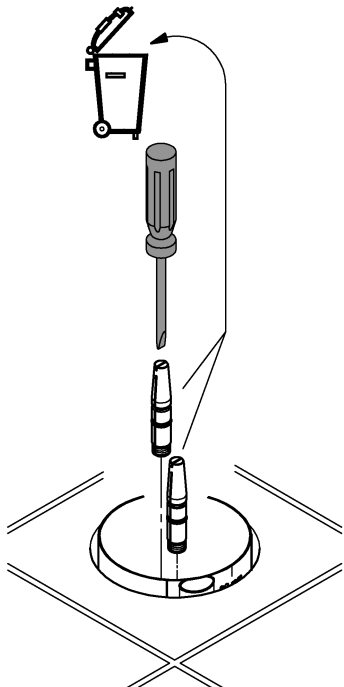


1b

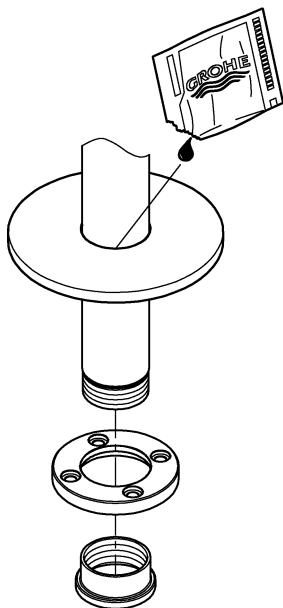




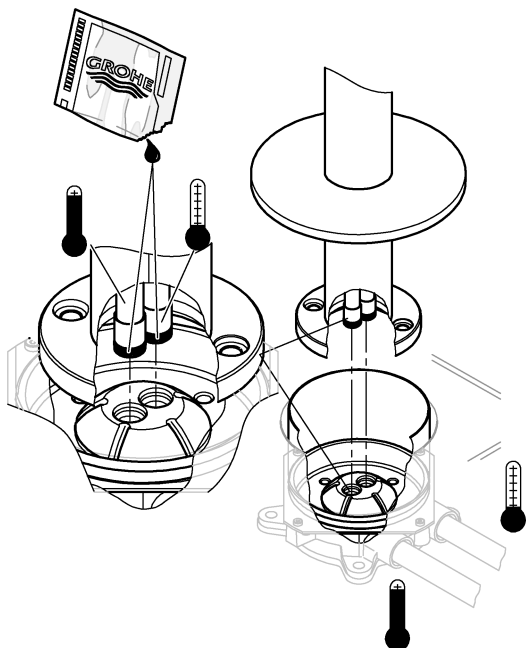
2



3

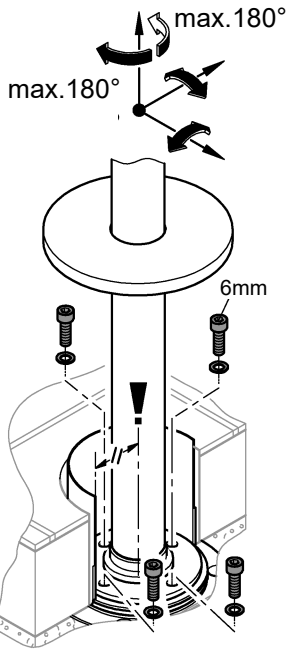


4

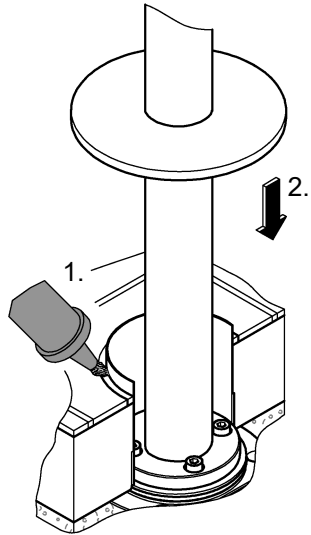




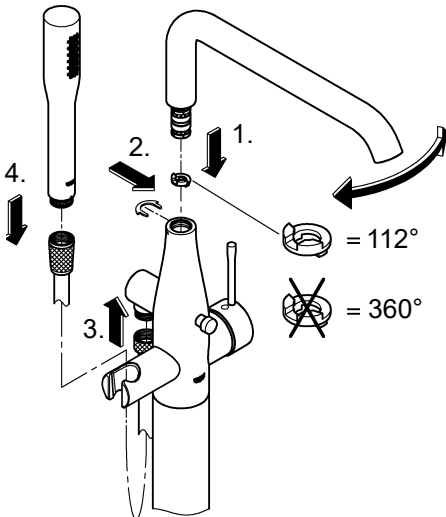
5



6



7a



7b

