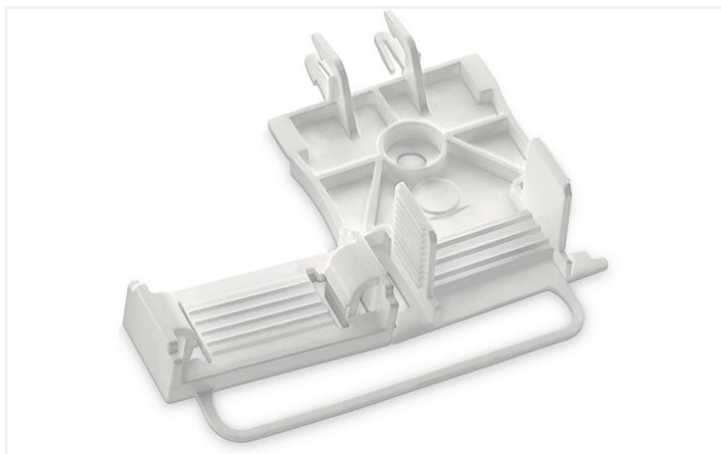


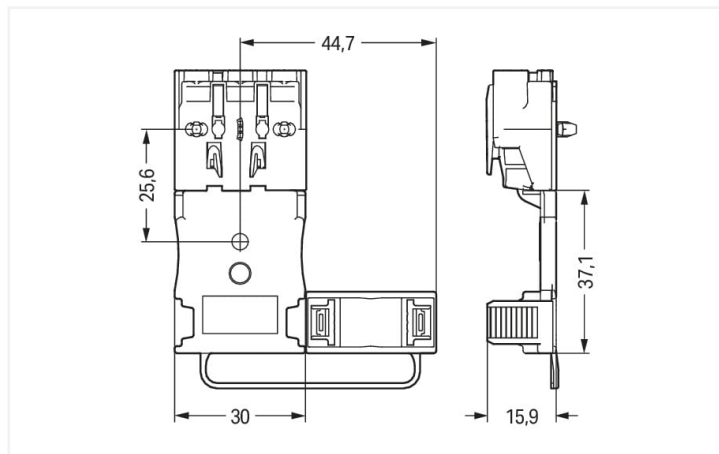
Data Sheet | Item Number: 294-384

Strain relief plate; for 294 Series; for single strands; 3- to 5-pole; with secured clamp; white

<https://www.wago.com/294-384>



Color: ■ white



Dimensions in mm

Physical data

Width	30 mm / 1.181 inches
Height	15.9 mm / 0.626 inches

Material data

Note (material data)	Information on material specifications can be found here
Color	white
Fire load	0.123 MJ
Weight	4.1 g

Commercial data

Product Group	8 (Misc. Chassis Mount Blocks)
eCl@ss 10.0	27-14-11-92
eCl@ss 9.0	27-14-11-92
ETIM 8.0	EC002848
ETIM 7.0	EC002848
PU (SPU)	50 pcs
Packaging type	Box
Country of origin	CH
GTIN	4050821809838
Customs tariff number	85389099990


Environmental Product Compliance

CAS-No.	131651-65-5 144317-44-2 220133-51-7 220689-12-3 25628-08-4 29420-49-3 375-73-5 503155-89-3 507453-86-3 68259-10-9
REACH Candidate List Substance	Perfluorobutane sulfonic acid (PFBS) and its salts
RoHS Compliance Status	Compliant, No Exemption
SCIP notification number (Austria)	54edfb04-1cdf-4843-90e6-69f56fa00055




Environmental Product Compliance	
SCIP notification number (Belgium)	83648272-8a36-4aea-b1dc-da6ed1ac5a92
SCIP notification number (Bulgaria)	e8d644d0-a82d-4c65-9905-e26da2f0babb
SCIP notification number (Czech Republic)	75197f43-458b-4239-9b60-ceb168e02b5f
SCIP notification number (Denmark)	5b435294-acc1-4ae5-b162-e286877b8ee8
SCIP notification number (Finland)	371abae8-50b1-430f-bb55-881ba323c5b4
SCIP notification number (France)	20f4bab9-819d-4a04-9fec-f643636b98bf
SCIP notification number (Germany)	d07eb5fe-cde4-4ef5-9c93-1309d3d25d98
SCIP notification number (Hungary)	27378300-60c3-491b-97bb-d3f349e135b7
SCIP notification number (Italy)	50983dd5-fc0e-4528-bc6c-1138014676af
SCIP notification number (Netherlands)	a1507818-ee5e-4f54-b830-d890d09aa6a3
SCIP notification number (Poland)	085730c4-b92c-4395-8f18-8f08fc95d3db
SCIP notification number (Romania)	b85e632f-fa0c-4790-8337-54a3decd2292
SCIP notification number (Sweden)	bc10dbb7-14c4-48e7-88bc-47051aabe9f3

Downloads


Environmental Product Compliance

Compliance Search
Environmental Product Compliance 294-384 

Documentation

Additional Information				Bid Text			
Technical Section	03.04.2019	pdf 2010.85 KB		294-384	13.06.2017	doc 23.00 KB	
				294-384	19.02.2019	xml 2.69 KB	

CAD/CAE-Data

CAD data	CAE data
2D/3D Models 294-384 	ZUKEN Portal 294-384 