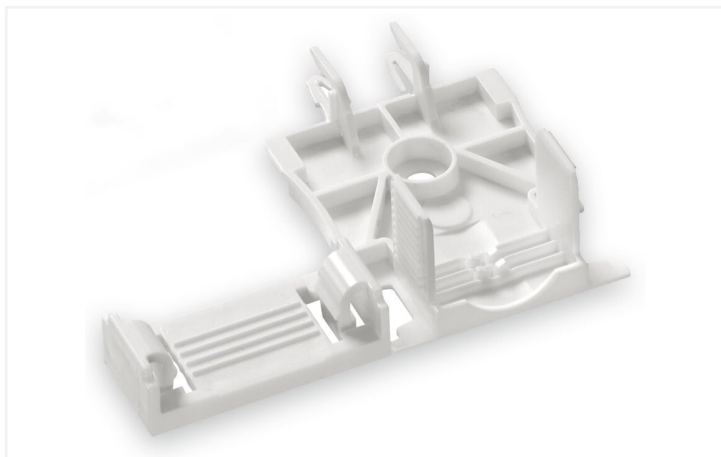


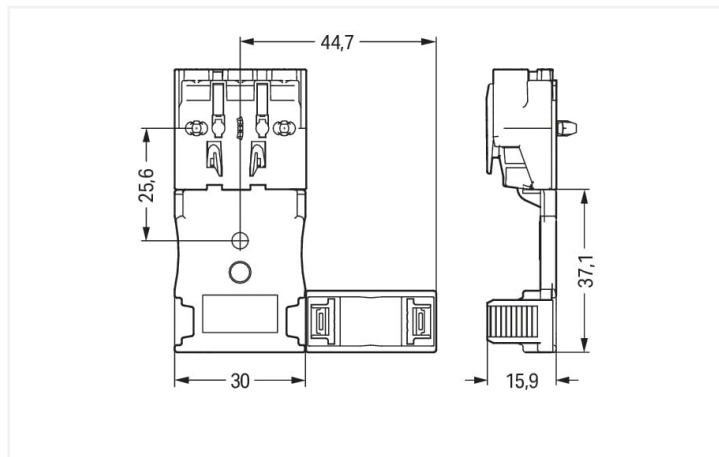
Data Sheet | Item Number: 294-383

Strain relief plate; for 294 Series; for single strands; 3- to 5-pole; white

<https://www.wago.com/294-383>



Color: ■ white



Dimensions in mm

Physical data

Width	30 mm / 1.181 inches
Height	15.9 mm / 0.626 inches
Depth	37.1 mm / 1.461 inches

Material data

Note (material data)

[Information on material specifications can be found here](https://www.wago.com/us/material-specifications)

Color	white
Material group	IIIa
Insulation material	Polycarbonate (PC)
Flammability class per UL94	V0
Fire load	0.12 MJ
Weight	4 g

Commercial data

Product Group	8 (Misc. Chassis Mount Blocks)
eCl@ss 10.0	27-14-11-92
eCl@ss 9.0	27-14-11-92
ETIM 8.0	EC002848
ETIM 7.0	EC002848
PU (SPU)	50 pcs
Packaging type	Box
Country of origin	CH
GTIN	4050821127666
Customs tariff number	85389099990

Environmental Product Compliance

CAS-No.	131651-65-5 144317-44-2 220133-51-7 220689-12-3 25628-08-4 29420-49-3 375-73-5 503155-89-3 507453-86-3 68259-10-9
REACH Candidate List Substance	Perfluorobutane sulfonic acid (PFBS) and its salts
RoHS Compliance Status	Compliant, No Exemption
SCIP notification number (Austria)	30c5e6f2-d069-4a21-b2f6-667c36927d96
SCIP notification number (Belgium)	25221b02-14c5-463f-b72c-64a0cbbba583b
SCIP notification number (Bulgaria)	9baf1ba5-401f-4f5e-bbf6-bc6d13e2e2af
SCIP notification number (Czech Republic)	66e273a6-263f-4983-a70f-a850650dbce1
SCIP notification number (Denmark)	2512b47b-cdc1-4b59-bdab-8222458d91a0
SCIP notification number (Finland)	16daee6-b315-44e1-b800-2841a6a2a682
SCIP notification number (France)	f4d308a2-6d52-4ada-b296-21adf8b029cd
SCIP notification number (Germany)	eca347b0-fe7a-4502-9d26-dec3eebed182
SCIP notification number (Hungary)	e53ea487-6edb-4cd5-9bac-a1bc66bc0abf
SCIP notification number (Italy)	f406d6fe-fc42-4f01-95eb-afb226471ecb
SCIP notification number (Netherlands)	3d5f61a0-205b-486a-821b-7f224573c728
SCIP notification number (Poland)	2a2df88f-f099-4722-a25e-bbe4a1265d7f
SCIP notification number (Romania)	d9e2eb65-2d51-4531-a9a2-3259afd8d610
SCIP notification number (Sweden)	f95784bb-d7f0-4ca0-9fa7-6e329a2fdbd6

Downloads

Environmental Product Compliance


Compliance Search

Environmental Product
Compliance 294-383



Documentation

Additional Information

Technical Section	03.04.2019	pdf 2010.85 KB	
-------------------	------------	-------------------	-------------------------------------------------------------------------------------

CAD/CAE-Data

CAD data

2D/3D Models 294-383



CAE data

WSCAD Universe
294-383



ZUKEN Portal 294-383



Subject to changes. Please also observe the further product documentation!

Current addresses can be found at: www.wago.com