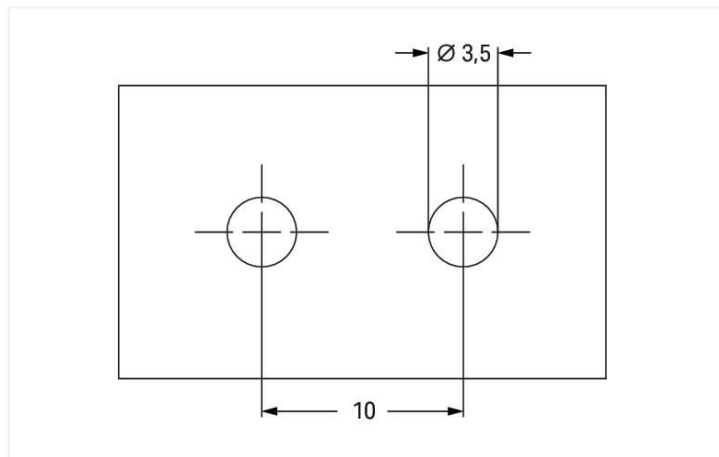


Data Sheet | Item Number: 294-370

Strain relief; for 294 Series; with snap-in mounting feet; white

<https://www.wago.com/294-370>



Color: ■ white

Material data

Note (material data)

[Information on material specifications can be found here](https://www.wago.com/us/material-specifications)

Color	white
Material group	Illa
Insulation material	Polycarbonate (PC)
Flammability class per UL94	V0
Fire load	0.07 MJ
Weight	1.5 g

Commercial data

eCl@ss 10.0	27-14-11-92
eCl@ss 9.0	27-14-11-92
ETIM 8.0	EC002848
ETIM 7.0	EC002848
PU (SPU)	500 pcs
Packaging type	Box
Country of origin	DE
GTIN	4055143469081
Customs tariff number	39269097900

Environmental Product Compliance

RoHS Compliance Status	Compliant, No Exemption
------------------------	-------------------------

Downloads

Environmental Product Compliance

Compliance Search

Environmental Product Compliance 294-370



Documentation

Additional Information

Technical Section	03.04.2019	pdf 2010.85 KB	
-------------------	------------	-------------------	--

Bid Text

294-370	19.02.2019	xml 2.64 KB	
294-370	04.01.2018	doc 22.50 KB	

CAD/CAE-Data

CAD data

2D/3D Models 294-370



CAE data

ZUKEN Portal 294-370

