

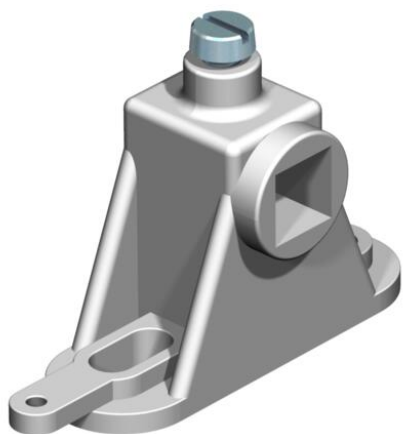
Technical data sheet

Rail stands for 1801 VDE

Item number: 5015715



- 2 rail stands required per 14 units
- With 6 x 13 mm slot



PS Polystyrene

Master data

Item number	5015715
Type	1801 SCH
Description 1	Rail stand
Description 2	potential equalisation rail
Manufacturer	OBO
Dimension	120x120x53
Colour	Grey
Material	Polystyrene
Smallest sales unit	10
Unit of quantity	Units
Weight	1,5 kg
Weight unit	kg/100 pairs
CO2 Footprint (GWP) Cradle-to-Gate	0,0617 kg CO2e / 1 Piece

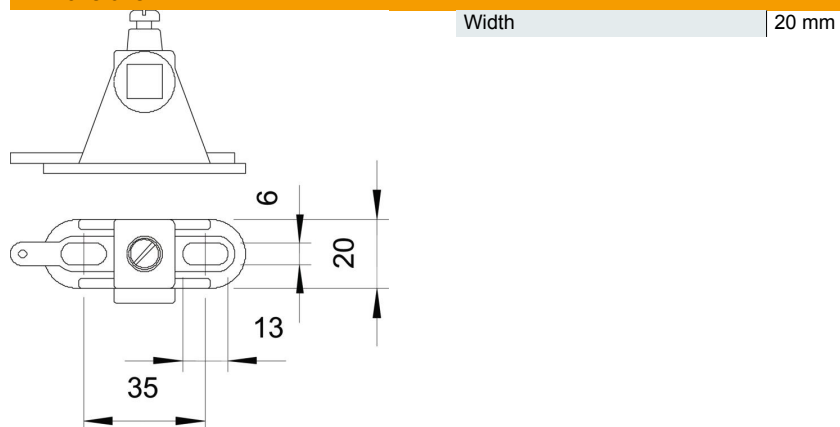
Technical data sheet

Rail stands for 1801 VDE

Item number: 5015715



Dimensions



Technical specifications

Type of accessory	Rail stand
-------------------	------------