

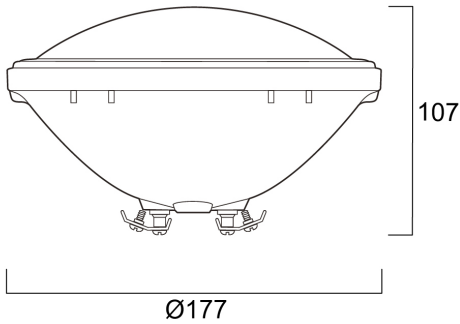
### Features

- Sylvania's PAR56 LED light sources provide a top class and professional finish to pools and water features, - Unique single-point light source for improved visual appearance, with advanced fresnel lens optics which deliver impressive light and colour uniformity, - Full PPS (Polyphenylsulphide) plastic body, very resistant material for use in plastic and metal fixtures against corrosion by chlorinated and salt water, - Unique sealing method guarantees IP68 water-tightness, - Low heat generation, - Remote control is an optional accessory. Lamps also function with ordinary switches, -Only for use with magnetic (not electronic) transformers, - European production delivers outstanding performance and quality

### Product Overview

Product name	PAR56 SP LED White Superia Plus 3000lm
Technology	LED
Watt (Rated) (W)	32.5
Cap/Base	N/A
Fixture rating	Enclosed
Fixture luminous flux (lm)	3000
Colour temperature (K)	6500
Light colour	Daylight
CRI (Ra)	80
Colour Variation Initial (SDCM)	6
Photobiological Risk Group	RG1
Total power consumption (W)	32.5
Electrical protection	Class III
IP rating	IP68
IK rating	IK00
Product EAN number	5410288606514
Warranty	3 years

### Technical drawings



### Data table

#### GENERAL DATA

Product name	PAR56 SP LED White Superia Plus 3000lm
Technology	LED
Watt (Rated) (W)	32.5
Cap/Base	N/A
Fixture rating	Enclosed
Warranty	3 years

#### OPTICAL DATA

Fixture luminous flux (lm)	3000
Colour temperature (K)	6500
Light colour	Daylight
CRI (Ra)	80
Colour Variation Initial (SDCM)	6
Luminous Intensity (cd)	1250
Photobiological Risk Group	RG1

### ELECTRICAL DATA

Total power consumption (W)	32.5
Primary Supply/Product voltage - min (V)	12
Electrical protection	Class III
Control gear required	No
Energy Efficiency Class (A->G) of contained light source	F
Nominal Frequency (Hz)	50Hz

### PHYSICAL DATA

IP rating	IP68
IK rating	IK00
Nominal Product Diameter (mm)	176
Weight (kg)	0.552

### PACKAGING

Single packaging type	Carton
Product EAN number	5410288606514
Packaging single width (cm)	15.0
Packaging single depth (cm)	16.3
DUN14 (outer)	15410288606511
Packaging outer length / height (cm)	46.5

### SAFETY DATA

Special purpose lamp	No
Dry applications use only	No
Suitable for household illumination	No