

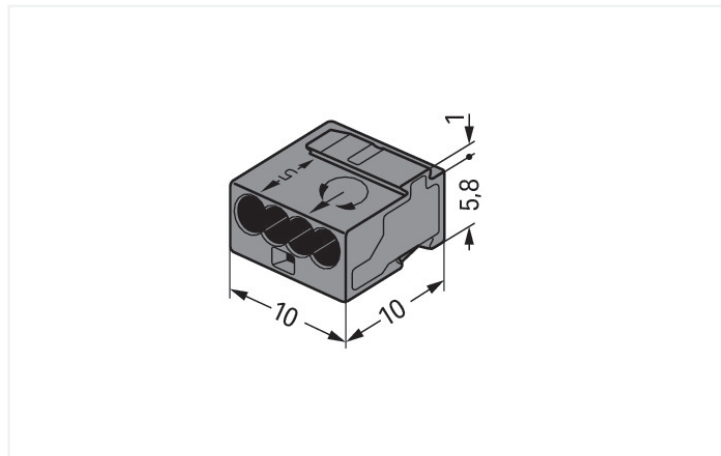
## Data Sheet | Item Number: 243-204

MICRO PUSH WIRE® connector for junction boxes; for solid conductors; max. 0.8 mm Ø; 4-conductor; dark gray housing; light gray cover; Surrounding air temperature: max 60°C; 0,80 mm<sup>2</sup>; dark gray

<https://www.wago.com/243-204>



Color: ■ dark gray



Dimensions in mm

### Electrical data

Ratings per	EN 60664		
Overvoltage category	III	III	II
Pollution degree	3	2	2
Nominal voltage	-	-	100 V
Rated surge voltage	-	-	1.5 kV
Rated current	-	-	6 A

### Connection data

Connection points	4
Total number of potentials	1
Number of connection types	1
Number of levels	1

#### Connection 1

Connection technology	PUSH WIRE®
Actuation type	Push-in
Connectable conductor materials	Copper
Solid conductor	22 ... 20 AWG
Conductor diameter	0.6 ... 0.8 mm / 22 ... 20 AWG
Conductor diameter (note)	When using conductors of the same diameter, 0.5 mm (24 AWG) or 1 mm (18 AWG) diameters are also possible.
Strip length	5 ... 6 mm / 0.2 ... 0.24 inches
Wiring direction	Side-entry wiring

### Physical data

Width	10 mm / 0.394 inches
Height	6.8 mm / 0.268 inches
Depth	10 mm / 0.394 inches

### Material data

Note (material data)	<a href="https://www.wago.com/us/material-specifications">Information on material specifications can be found here</a>
Color	dark gray
Cover color	light gray
Fire load	0.011 MJ
Weight	0.8 g

### Environmental requirements

Ambient temperature (operation)	+60 °C
Continuous operating temperature	105 °C

### Commercial data

eCl@ss 10.0	27-14-11-04
eCl@ss 9.0	27-14-11-04
ETIM 8.0	EC000446
ETIM 7.0	EC000446
PU (SPU)	1000 (100) pcs
Packaging type	Box
Country of origin	DE
GTIN	4044918440585
Customs tariff number	85369010000

### Environmental Product Compliance

RoHS Compliance Status	Compliant, No Exemption
------------------------	-------------------------

### Approvals / Certificates

#### General approvals



Approval	Standard	Certificate Name
CCA DEKRA Certification B.V.	EN 60998	NTR NL 7812
CSA DEKRA Certification B.V.	C22.2	70048857
KEMA/KEUR DEKRA Certification B.V.	EN 60998	71-112493
UR Underwriters Laboratories Inc.	UL 1059	E45172

#### Declarations of conformity and manufacturer's declarations

Approval	Standard	Certificate Name
EU-Declaration of Conformity WAGO GmbH & Co. KG	-	-
UK-Declaration of Conformity WAGO GmbH & Co. KG	-	-

### Approvals for marine applications



Approval	Standard	Certificate Name
ABS American Bureau of Shipping	-	18-HG1755093-PDA
LR Lloyds Register	EN 60998	LR22207029TA

**Downloads**

**Environmental Product Compliance**

**Compliance Search**

Environmental Product Compliance 243-204



**Documentation**

**Bid Text**

243-204	19.02.2019	xml 3.27 KB	
---------	------------	----------------	--

243-204	17.05.2017	doc 25.00 KB	
---------	------------	-----------------	--

ausschreiben.de 243-204			
----------------------------	--	--	--

**CAD/CAE-Data**

**CAD data**

2D/3D Models 243-204	
----------------------	--

**CAE data**

EPLAN Data Portal 243-204	
---------------------------	--

WSCAD Universe 243-204	
------------------------	--

ZUKEN Portal 243-204	
----------------------	--

**1 Compatible Products**

**1.1 Optional Accessories**

**1.1.1 Mounting adapter**

**1.1.1.1 Mounting accessories**



**Item No.: 243-112**

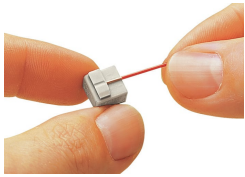
Mounting carrier; for 4 connectors; 243 Series; for DIN-35 rail mounting/screw mounting; orange

**Item No.: 243-113**

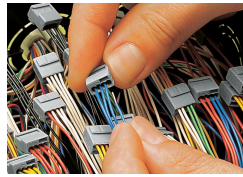
Mounting carrier; for 6 connectors; 243 Series; for DIN-35 rail mounting/screw mounting; orange

## Installation Notes

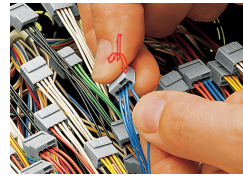
### Conductor termination



Strip solid conductors to 5 ... 6 mm (0.19 ... 0.23 inch).



Termination: Insert the stripped solid conductor until it hits the backstop.



Removal: Hold conductor to be removed and twist alternately left and right while pulling the connector.

## Installation



### Connector strips:

Assembling modular connectors into connector strips.

## Commoning



Commoned connector strips

## Testing



Testing via test port opposite to conductor entry.

