

Technische Daten/ Technical Data

KLUDI RENON
stand pillar tap
DN 15

Ref.: 42118N175

Finishes:
N1 Brushed Bronze PVD

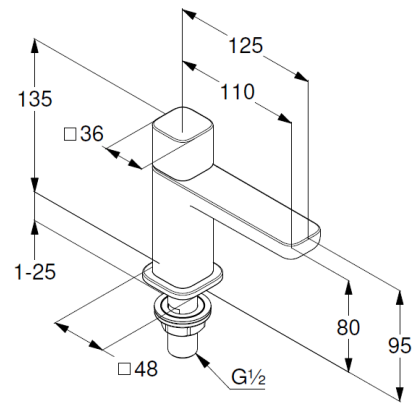
Product description
Manufacturer KLUDI GmbH & Co. KG
Typ: KLUDI RENON
stand pillar tap
Ref.: 42118N175

stand pillar tap
1-hole mounted
solid lever, metal
aerator M18,5 PCA
ceramic headparts 90°
flow rate at 3 bar 4,5 l/min.
connection G1/2
shank-fixing
without flexible high pressure supply tube
or copper pipe Ø 10mm (KLUDI Ref.: 1620305)
EU taxonomy: max. 6 l/min. -
Substantial Contribution (SC) possible

Produktabbildung/ Product picture



Maßzeichnung/ Dimensional drawing



Durchfluss/ Flow rate

