

Technical data sheet

Tilting anchor

Item number: 3482758



Including nut and large washer.

The universal heavy-duty fastening for stressed concrete, hollow steel profiles, metal sheets and plates.

Use: heating, ventilation and air conditioning technology, cooling systems, sprinkler systems, pipes, cable tracks, etc.

* Dependent on the thickness of the ceiling profile.



St Steel

G Electrogalvanized

Master data

Item number	3482758
Type	KD 10 100
Description 1	Tilting anchors
Manufacturer	OBO
Dimension	M10x100mm
Material	Steel
Surface	Electrogalvanized
Surface standard	EN ISO 19598 / EN ISO 4042
Smallest sales unit	25
Unit of quantity	Units
Weight	11,2 kg
Weight unit	kg/100 pairs

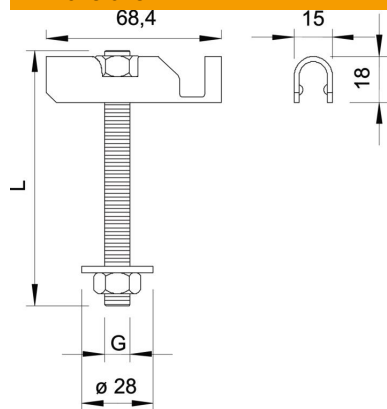
Technical data sheet

Tilting anchor

Item number: 3482758



Dimensions



Length	100 mm
Dimension L	100 mm

Technical specifications

Version for	With threaded shaft
Drill hole	25 mm
Drill hole diameter, min.	25 mm
Breaking load	2,4 kN
Thread	M10
Thread type	Metric
Minimum cavity depth	75 mm
With washer	yes
Protection ring for ceramics	no