



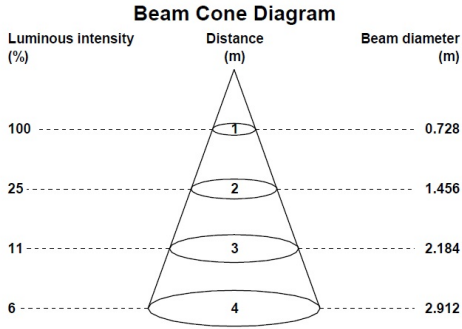
Features

- By combining high power LED's of red, green and blue, together with an internal microprocessor, the RGB version is capable of generating a full spectrum of colours, creating an enhanced swimming experience. The light source can be operated in a mode of continuous colour changing or fixed at any desired colour by briefly switching off and back on again. This is facilitated by the optional Sylvania remote control and receiver.

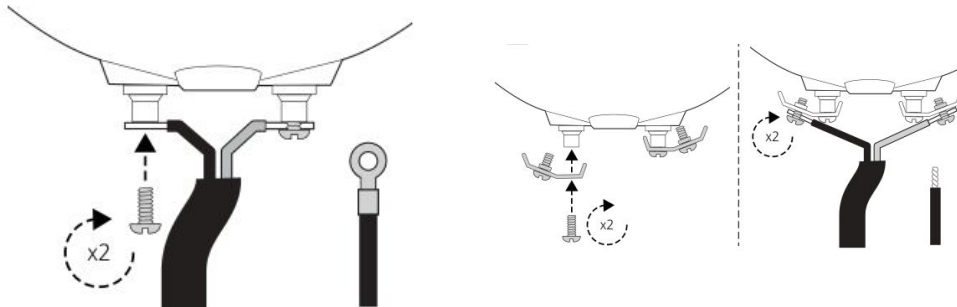
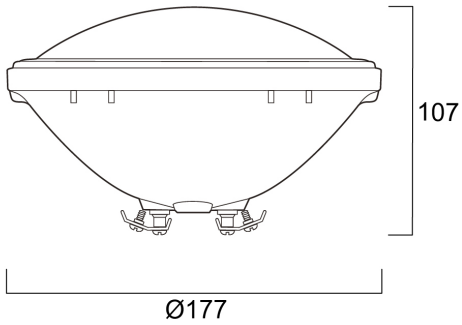
Product Overview

Product name	PAR56 LED RGB
Technology	LED
Watt (Rated) (W)	10
Cap/Base	Screw Terminal
Fixture rating	Enclosed
Environment	External
E-number SE	8290020
LOR (%)	100
Wattage (W)	10
Control gear type	Not required
IP rating	IP68
Product EAN number	5410288605401
Colour Code	N/A

Photometry



Technical drawings



Data table

GENERAL DATA

Product name	PAR56 LED RGB
Technology	LED
Watt (Rated) (W)	10
Cap/Base	Screw Terminal
Fixture rating	Enclosed
Environment	External
Operating temperature range (°C)	-10°C...+55°C
E-number SE	8290020

OPTICAL DATA

Ambient temperature for maximum luminous flux (°C)	25
LOR (%)	100
Colour Code	N/A
Adjustable chromaticity	N

ELECTRICAL DATA

Wattage (W)	10
Current (A)	0.119
Primary Supply/Product voltage - min (V)	12
Lamp power factor	1
Control gear required	No
Control gear type	Not required

LIFETIME DATA

Average life (Rated) (h)	25000
--------------------------	-------

PHYSICAL DATA

IP rating	IP68
-----------	------

PAR56 LED RGB 0060540

Nominal Product Width (mm)	105
Max. Lamp Diameter (mm) - D	175
Weight (kg)	0.552
Recessed Depth (mm)	10

PACKAGING

Single packaging type	Carton
Product EAN number	5410288605401
Packaging single width (cm)	15.0
Packaging single depth (cm)	16.3
DUN14 (outer)	15410288605408
Packaging outer length / height (cm)	46.5

SAFETY DATA

Optimal operating condition (°C)	-10-55
Recommendation for disposal at end of life	Not Applicable
Special purpose lamp	Yes
Dry applications use only	No
Suitable for household illumination	No
Safety message	Not suitable for household