

# Technische Daten/ Technical Data

KLUDI BOZZ  
stand pillar tap

Ref.: 381183976

Finishes:  
39 matt black

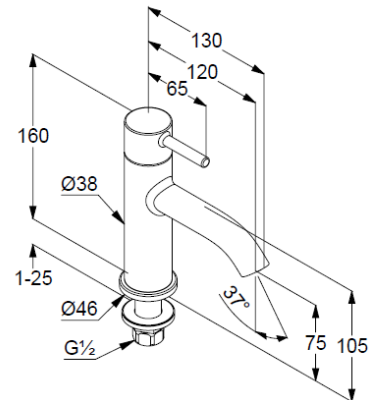
Product description  
Manufacturer KLUDI GmbH & Co. KG  
Typ: KLUDI BOZZ  
stand pillar tap  
Ref.: 381183976

stand pillar tap  
1-hole mounted  
solid lever, metal  
aerator, S-Pointer M18,5 PCA  
ceramic headparts 90°  
flow rate at 3 bar 5 l/min.  
connection G1/2  
shank-fixing  
without flexible high pressure supply tube  
or copper pipe Ø 10mm (KLUDI Ref.: 1620305)  
EU taxonomy: max. 6 l/min. -  
Substantial Contribution (SC) possible

## Produktabbildung/ Product picture



## Maßzeichnung/ Dimensional drawing



## Durchfluss/ Flow rate

