

Product data sheet

Item No. 96.834.3034.3

Cable assembly RST25I3KS-S 40 30BG03

Connection cable, male - free end, length 3m, RST25i3, 3 pole, 250V/25A, cable type H07RN-F, cross section 4,0 mm², color of coding: concrete gray



Item No.	96.834.3034.3
EAN	4015573896512
Order Unit	10 Piece(s)

Certificates / Approvals



Technical data

General

Rated current	25 A
Rated voltage	250 V
Rated impulse voltage	4 kV
Pollution degree	3
Mechanical coding	Yes
Interlockable	Yes
Color of coding/ contact carrier	Concrete gray
Marking of poles	
Color of housing inclusive strain relief	Black

Model

Number of poles	3
Nominal cross section conductor	4 mm ²
Degree of protection (IP)	IP66/IP68
Wire strip length	9 mm
sheath strip length	35 mm
Preparation of conductor ends	Ultrasonically compressed wire ends
Cable type	H07RN-F

Cable colour	Black
Cable diameter	13.4 mm
Version of cable	Male - free end

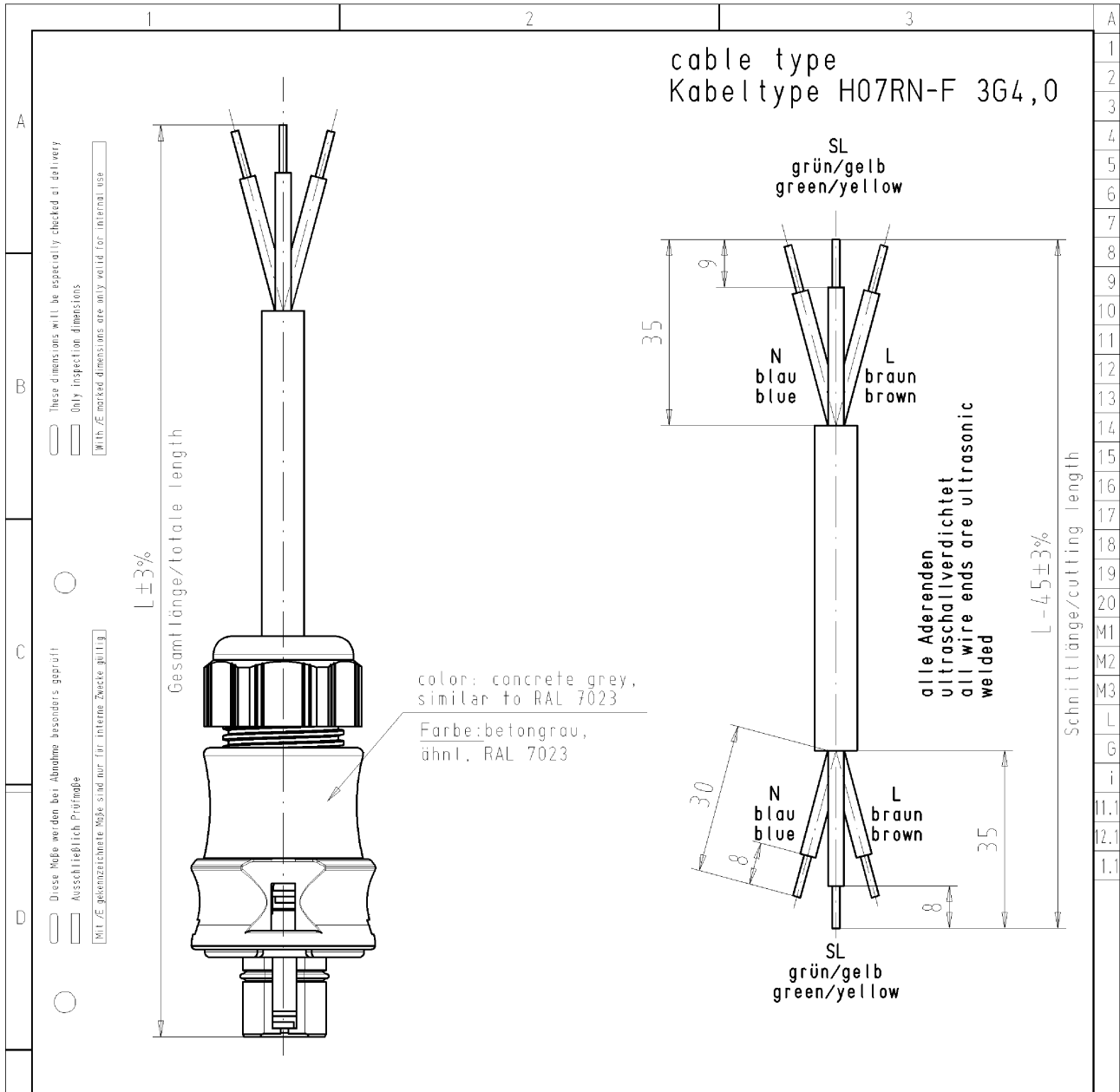
Material

Surface finish	Silver-plated
Halogen free	No
Continuous temperature of cable	60 °C
Insulation components continuous temperature	100 °C

Dimensions

Total length	3 m
--------------	-----

Technical drawing



Teile-Nr. part-no.	L	Beispiel (Farbe: betongrau) exampel (colour: concrete grey)	Typ type
96.834.XX34.3	XX in dm-Schritten	96.834.1034.3 = 10dm/L= 1000mm	RST25I3KS-S 40 10BG03
U6.834.XX34.3	XX in m-Schritten	U6.834.1234.3 = 12 m/L=12000mm	RST25I3KS-S 40 X12BG03

Tolerierung nach DIN 7167/Tolerance system acc. to DIN 7167. ja/yes Stoffverbots- und Deklarationsliste nach UU-TOM-05/03 ist einzuhalten. Conformity with Wieland document UU-TOM-05/03 (list of prohibited / declarable hazardous substances) to be declared!

Freitoleranz nach General tolerance CAD - Zeichnung, keine manuellen Änderungen CAD - drawing, no manual modifications 1. Verwendung: - First Use: - Blatt: 1 von 1 Sheet: 1 of 1

Werkstoff/Material	2006	Tag/Date	Name	T	Zeichnung Nr./Drawing No. 96.834.1034.3 01K	Index
	gezeichnet drawn	02.02.	Kneitz			
	geprüft checked	-	-			
Maßstab/Scale	1:1	Normgepr. Stand. check	-	Maße in mm/Dimensions are in mm		

Wieland logo and text: **KONFEKTLEITUNG**
ready made cables
Schraubanschluss ohne Drahtschutz/screw-connection without wire protection

968341034301K_4-CADW1019-Kneitz 2006-02-22T14:08:07 1:000

