

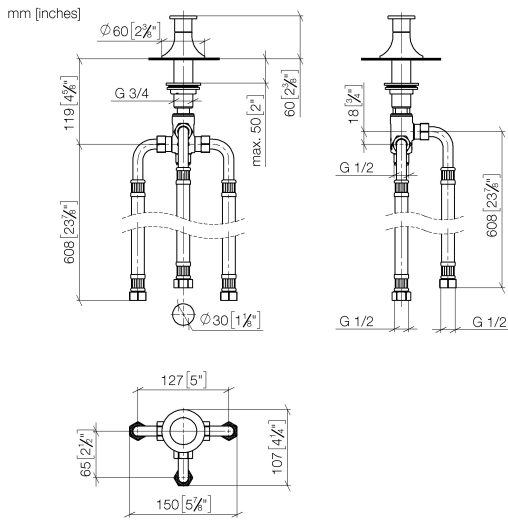
29 140 809 Product version from 3/13/2017



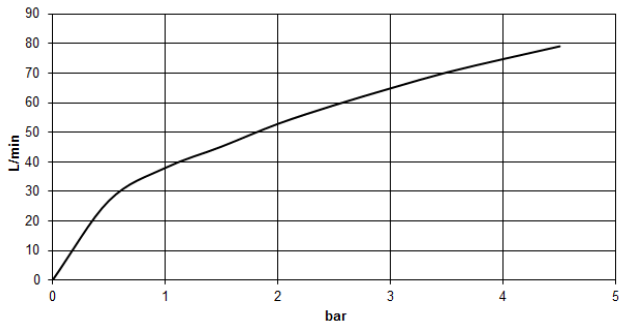
- automatic bath/shower diverter
- hole diameter 30 mm
- rosette Ø 60 mm
- 1/2" connection
- max. flow 64.9 l/min at 3 bar flow pressure
- WRAS

	Chrome	29 140 809-00
	Brushed Platinum	29 140 809-06
	Platinum	29 140 809-08
	Dark Chrome	29 140 809-19
	Brushed Durabronze (23kt Gold)	29 140 809-28
	Brushed Dark Brass (PVD)	29 140 809-39
	Brushed Bronze (PVD)	29 140 809-42
	Brushed Dark Bronze (PVD)	29 140 809-43
	Brushed Champagne (22kt Gold)	29 140 809-46
	Champagne (22kt Gold)	29 140 809-47
	Brushed Dark Platinum	29 140 809-99

29 140 809 Product version from 3/13/2017



Flow rate chart



Codes & Standards

ASME A112.18.1	cUPC	DIN 4109	ISO 3822
Scottish Water Byelaws	UK Water Supply Regulations	Ü-Zeichen	



VAIA Two-way diverter for bath rim or tile edge installation - Chrome

VAIA

29 140 809 Product version from 3/13/2017

Certificates and sustainability

WRAS_1911

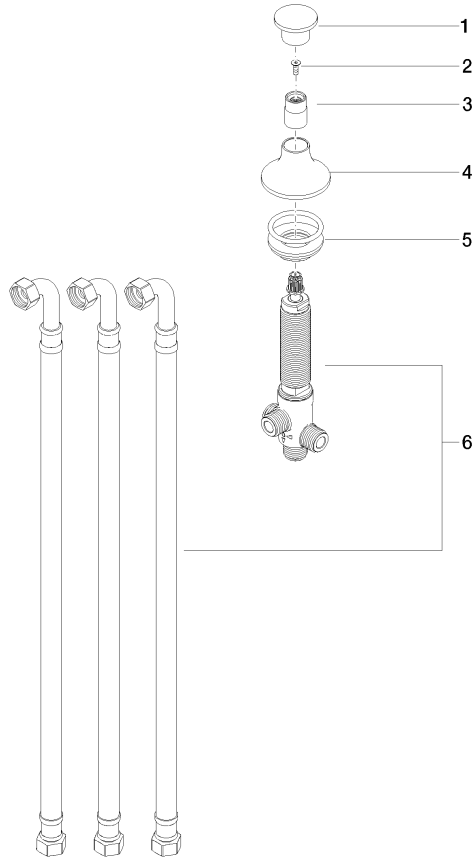
LGA_29

IAPMO_4976

EPD-DOR-20230287
-IBA1-EN
Environmental.prod
uct-declarat

29 140 809 Product version from 3/13/2017

Parts for other finishes can be found here: Brushed Platinum



Spare parts list

No.	Item Number	Name	Quantity used	Delivery time
4	09 27 80 015-00	Rosette for pull diverter Ø 60 x 37 mm - Chrome	1.00	20
1	09 20 80 016-00	Pull button Ø 37 x 22,5 mm - Chrome	1.00	20
3	09 18 40 214-00	Sleeve Ø 19,5 x 27,5 mm - Chrome	1.00	20
6	90 17 09 051 00 90	Diverter Spare part for 04.17.09.041.15.90 716x133x80 mm -	1.00	14
2	90 30 30 014 00 90	Mounting Countersunk screw with hexagon socket M4 x 12 mm -	1.00	14
5	04 23 10 004 03 90	Mounting with seals Ø 45 mm, 3/4" -	1.00	14