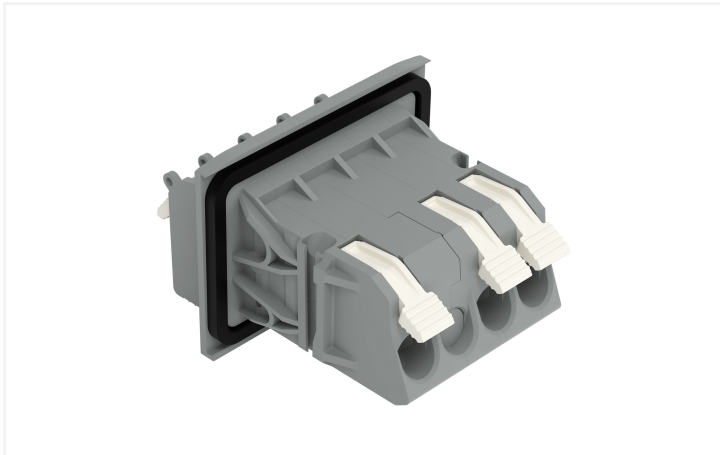


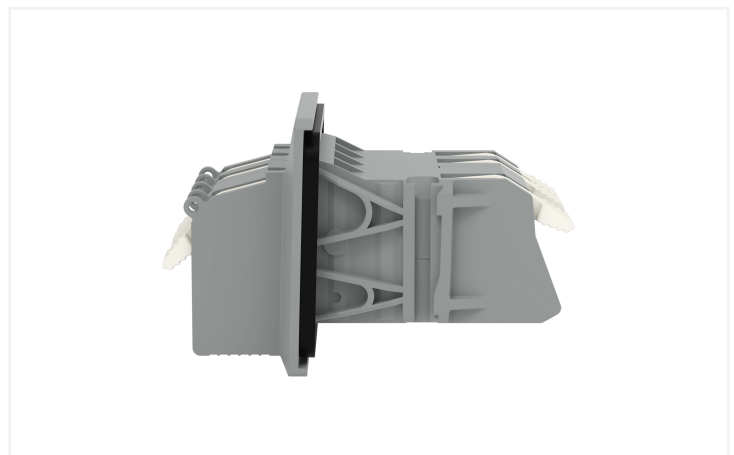
**Data Sheet | Item Number: 828-264/313-000**

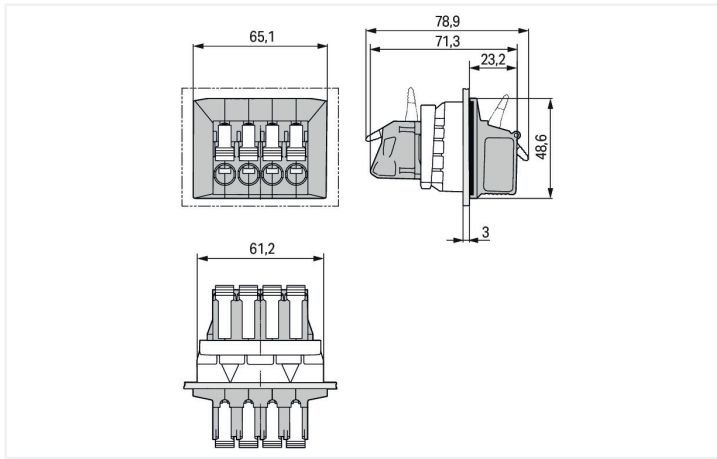
Feedthrough terminal block; lever; Plate thickness: 3 mm; 16 mm<sup>2</sup>; Pin spacing 11.5 mm; 3-pole; CAGE CLAMP®; 16,00 mm<sup>2</sup>; gray

<https://www.wago.com/828-264/313-000>

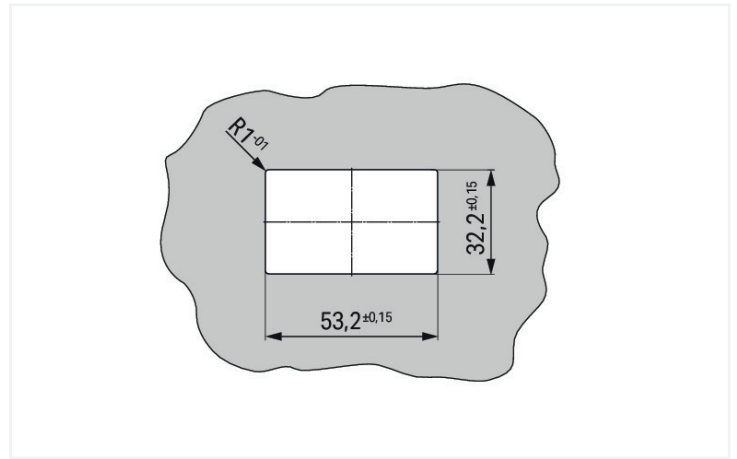


Color: ■ gray





Dimensions in mm



Dimensions in mm

Feedthrough terminal block, 828 Series, with 11.5 mm pin spacing

Our feedthrough terminal block (item number 828-264/313-000) ensures effortless electrical installations. Ensure that the strip lengths are between 12 and 13 mm when connecting conductors to feedthrough terminal block. This product features two conductor terminals and utilizes CAGE CLAMP®. Our reliable and maintenance-free CAGE CLAMP® connection makes it easy to connect all types of conductors without having to prepare the conductor. For example, you don't need to crimp ferrules. Dimensions: (65.1 x 48.6 x 79.1) mm (width x height x depth). Feedthrough terminal block is suitable for conductor cross sections ranging from 1.5 mm² to 16 mm².

The contact surface is coated with tin.

Notes	
Variants:	Other pole numbers Adapters for varying sheet panel thicknesses Direct marking Other versions (or variants) can be requested from WAGO Sales or configured at <a href="https://configurator.wago.com/">https://configurator.wago.com/</a> .

Electrical data							
Ratings per	IEC/EN 60664-1			Approvals per	UL 1059		
Overvoltage category	III	III	II	Use group	B	C	D
Pollution degree	3	2	2	Rated voltage	600 V	600 V	-
Nominal voltage	1000 V	1000 V	1000 V	Rated current	30 A	30 A	-
Rated impulse withstand voltage	8 kV	8 kV	8 kV				
Rated current	57 A	57 A	57 A				

Approvals per	CSA		
Use group	B	C	D
Rated voltage	600 V	600 V	-
Rated current	30 A	30 A	-

Connection Data		Connection 1	
Clamping units	8	Connection technology	CAGE CLAMP®
Total number of potentials	3	Actuation type	Lever
Number of connection types	2	Solid conductor	1.5 ... 16 mm² / 16 ... 6 AWG
Number of levels	1	Fine-stranded conductor	1.5 ... 16 mm² / 16 ... 6 AWG
		Fine-stranded conductor; with insulated ferrule	1.5 ... 10 mm²

### Connection 1

Fine-stranded conductor; with uninsulated ferrule	1.5 ... 10 mm <sup>2</sup>
Strip length	12 ... 13 mm / 0.47 ... 0.51 inches
Pole number	4

### Physical data

Pin spacing	11.5 mm / 0.453 inches
Width	65.1 mm / 2.563 inches
Height	48.6 mm / 1.913 inches
Depth	79.1 mm / 3.114 inches

### Mechanical data

Housing sheet thickness	3 ... 3 mm / 0.118 ... 0.118 inches
Mounting type	Locking claw
Mounting type	Feed-through mounting
Suitable for through-panel applications	Yes

### Material data

Note (material data)	<a href="#">Information on material specifications can be found here</a>
Color	gray
Material group	I
Insulation material (main housing)	Polyamide (PA66)
Flammability class per UL94	V0
Clamping spring material	Chrome-nickel spring steel (CrNi)
Contact material	Electrolytic copper (E <sub>Cu</sub> )
Contact Plating	Tin
Fire load	2.399 MJ
Weight	103.4 g

### Environmental requirements

Limit temperature range	-60 ... +105 °C
Processing temperature	-35 ... +60 °C

### Commercial data

Product Group	4 (Printed Circuit Connectors)
PU (SPU)	20 pcs
Packaging type	Box
Country of origin	CN
GTIN	4050821157793
Customs tariff number	85369010000

**Product Classification**

UNSPSC	39121410
ETIM 9.0	EC001283
ETIM 10.0	EC001283
ECCN	NO US CLASSIFICATION

**Environmental Product Compliance**

REACH Candidate List Substance	Perfluorobutane sulfonic acid (PFBS) and its salts
RoHS Compliance Status	Compliant, No Exemption
SCIP notification number (Austria)	8fdf0b57-c889-4867-a568-413226867de6
SCIP notification number (Belgium)	5a43bf77-af4d-46f5-b9ce-6910d0cab19e
SCIP notification number (Bulgaria)	7716ae8c-aa4f-4159-9cf7-8fc80c1791cf
SCIP notification number (Czech Republic)	8d3b5ac1-ae6b-4d76-89d8-704f26aeb15e
SCIP notification number (Denmark)	a7af41f0-5bb1-4318-97ae-34919452595f
SCIP notification number (Finland)	0cd84b89-1157-4e89-b0af-bc6cfd94fcc
SCIP notification number (France)	dcb20770-96b3-4e7c-a7df-1af600efb876
SCIP notification number (Germany)	29c8bae2-5260-4853-bc91-52bdf2117ef1
SCIP notification number (Hungary)	052b0a43-1ed8-4a4f-a3f3-c049795e69dc
SCIP notification number (Italy)	9597eac0-8f66-4ae7-9a1b-6225bd5bc016
SCIP notification number (Netherlands)	55e16641-b028-4ff5-a612-de4424d7fa74
SCIP notification number (Poland)	980d9bec-b3d5-4341-bf52-54a2ac63a616
SCIP notification number (Romania)	7a10bcfa-5e63-43b9-87ea-7398aaa88e06
SCIP notification number (Sweden)	97c59d19-bae8-4fe1-97f4-bc14483ec512

**Approvals / Certificates**

**General approvals**



Approval	Standard	Certificate Name
CSA DEKRA Certification B.V.	C22.2 No. 158	2059958
UL UL International Germany GmbH	UL 1059	E45172

**Downloads**

**Environmental Product Compliance**

<b>Compliance Search</b>
Environmental Product Compliance 828-264/313-000



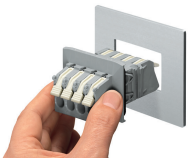
## Documentation

### Additional Information

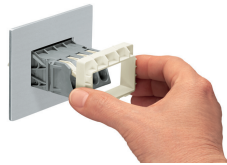
Technical Section	03.04.2019	pdf 2027.26 KB	
-------------------	------------	-------------------	--

## Installation Notes

### Installation



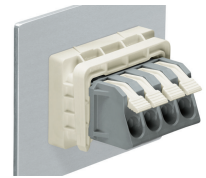
Insert terminal strip from the outside.



Snap the panel thickness adapter on from the inside.



Secure to panel via locking clip.



Mounted feedthrough terminal strip (internal)